

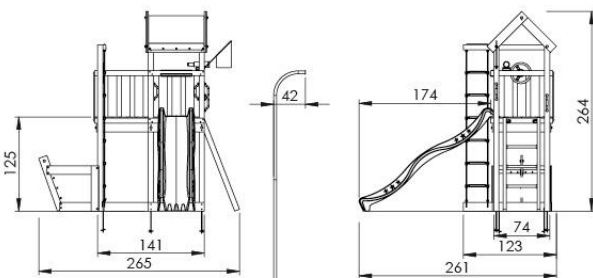
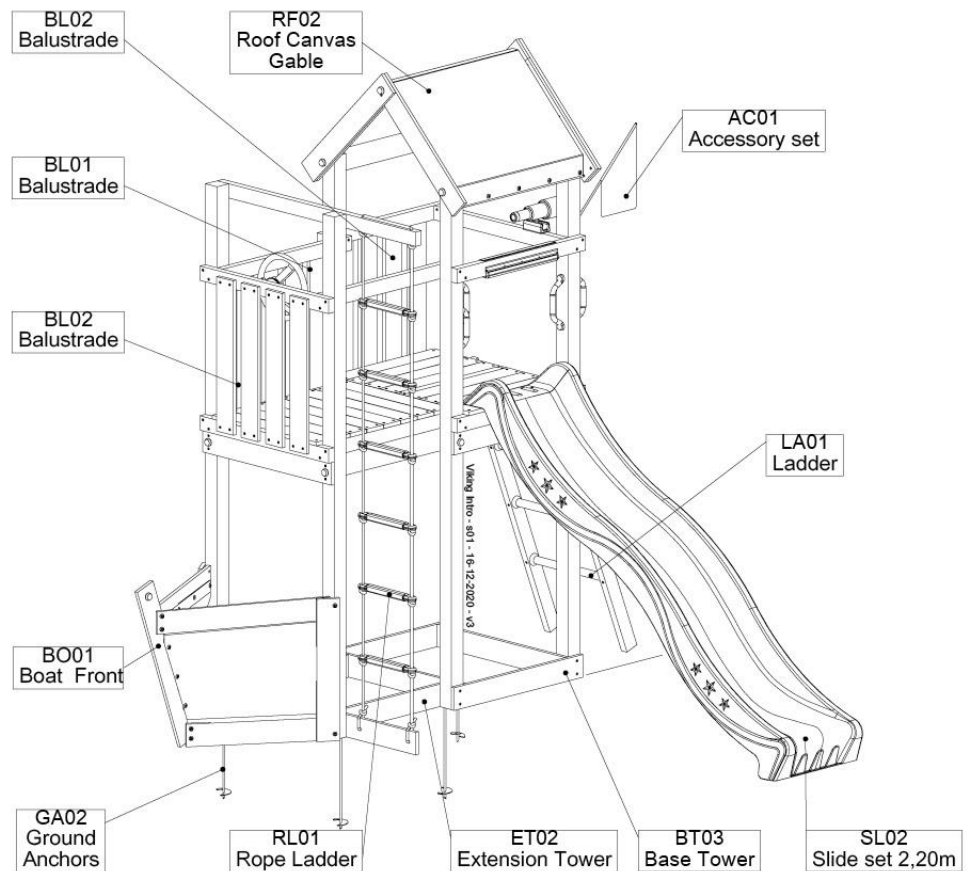
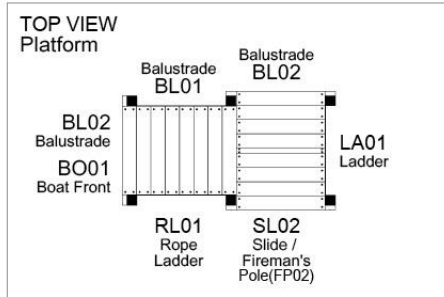
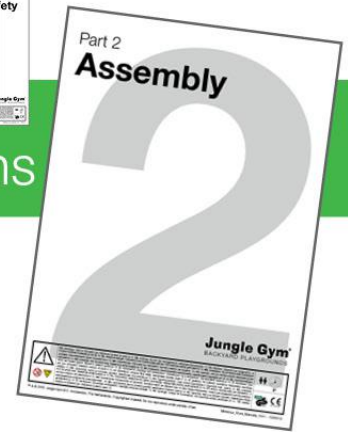
Assembly

Jungle Viking

803_206



Instructions



Jungle Gym

BACKYARD PLAYGROUNDS

since 1988



EN. Warnings. Only for domestic use. Maximum number of users is 6. **DE.** Achtung. Nur für den Hausgebrauch. Maximale Benutzerzahl: 6. **FR.** Attention. Réserve à un usage familial. Le nombre maximal d'utilisateurs est de 6. **NL.** Waarschuwingen. Uitsluitend voor huishoudelijk gebruik. Het maximale aantal gebruikers is 6. **BG.** Внимание. За употреба само в домашни условия. Максималният брой потребители е 6. **CS.** Varování. Jen pro domácí použití. Maximální počet uživatelů je 6. **DA.** Advarsel. Kun til privat brug. Maksimum antal brugere er 6. **EL.** Προειδοποίηση. Μόνο για οικιακή χρήση. Μέγιστος αριθμός χρηστών 6. **ES.** Advertencias. Solo para uso doméstico. Número máximo de usuarios: 6. **ET.** Hoiatused. Ainult koduseks kasutamiseks. Maksimaalne kasutajate arv on 6. **FI.** Varoitukset. Ainoastaan kotikäyttöön. Käyttäjää yhteensä enintään 6. **HR.** Upozorenja. Samo za kućansku uporabu. Maksimalan broj korisnika je 6. **HU.** Figyelmeztetések. Csak otthoni használatra! A használók max. száma: 6. **IS.** Varnaðarorð. Engöngu fyrir einkanoðkun í heimahúsum og á einkalóðum. Hámarksfjöldi notenda er 6. **IT.** Avvertenze. Solo per uso domestico. Massimo numero di utenti è 6. **LT.** Įspėjimai. Tik buitnam naudojimui. Maksimalus naudotojų skaičius 6. **LV.** Brīdinājumi. Izmanto tikai mājās. Maksimālais lietotāju skaits ir 6. **NO.** Advarsel. Kun for privat bruk. Maksimalt antall brukere er 6. **PL.** Ostrzeżenia. Wyłącznie do użytku domowego. Maksymalna liczba użytkowników to 6. **PT.** Avisos. Apenas para uso doméstico. O número máximo de utilizadores é 6. **RO.** Avertismente. Numai pentru uz domestic. Numărul maxim de utilizatori este 6. **RU.** Предостережения. Только для домашнего использования. Максимальное количество пользователей - 6. **SK.** Upozornenia. Iba na domáce použitie. Maximálne množstvo osôb je 6. **SL.** Opozorila. Samo za domačo uporabo. Maksimalno število uporabnikov je 6. **SR.** Upozorenja. Samo za kućnu upotrebu. Maksimalan broj korisnika je 6. **SV.** Varningar. Endast för hemmabruk. Det maximala antalet användare är 6. **TR.** Uyarılar. Sadece ev kullanımı için. Maksimum kullanıcı sayısı 6.



01 What's in the Delivery?

403_206

| | | | | |
|----------------------------------|---|---|---|--|
| <p>1x 040_805 1x 040_077</p> | <p>1x 022_300 1x 122_302 1x 022_800</p> | <p>1x 120_024 1x 103_901</p> | <p>6x 022_52x</p> | <p>2x 120_102 4x 022_920 8x 001_104</p> |
| <p>1x 020_308</p> | <p>4x 007_001</p> | <p>3x 005_03x 6x 022_835 2x 005_522</p> | <p>1x 123_200</p> | <p>1x 100_605 1x 100_606 1x 100_612 1x 100_613 1x 100_617 1x 100_903 2x 100_600 3x 100_601</p> |
| <p>1x 104_107</p> | <p>1x 008_011</p> | <p>1x 022_910</p> | <p>2x 123_220 73,5 cm</p> <p>Canvas</p> | <p>1x 201_275 1x 324_x00</p> <p>FMP / Slide</p> |

02 Hardware

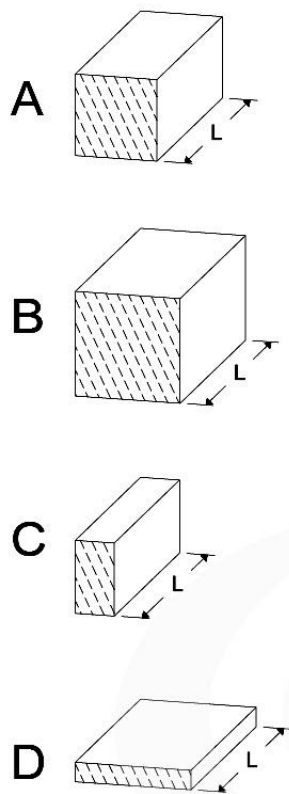
Total HWP 100_xxx Jungle Viking

20210930

| | | | |
|----------------------------|--------------------|---------------------------|------------------|
| <p>001_417 7x</p> | <p>ø8 x 80mm</p> | <p>000_101 10x</p> | <p>ø2 x 20mm</p> |
| <p>001_406 13x</p> | <p>ø8 x 45mm</p> | <p>023_031 50x</p> | <p>ø5mm</p> |
| <p>001_404 4x</p> | <p>ø8 x 30mm</p> | <p>120_005 16x</p> | <p>M8</p> |
| <p>002_223 66x</p> | <p>ø5 x 80mm</p> | | |
| <p>002_220 223x</p> | <p>ø5 x 45mm</p> | | |
| <p>002_219 26x</p> | <p>ø5 x 30mm</p> | | |
| <p>002_308 40x</p> | <p>ø5.0 x 20mm</p> | | |
| <p>002_041 3x</p> | <p>ø4.5 x 20mm</p> | | |
| <p>002_042 4x</p> | <p>ø3.5 x 13mm</p> | | |

03 Timber

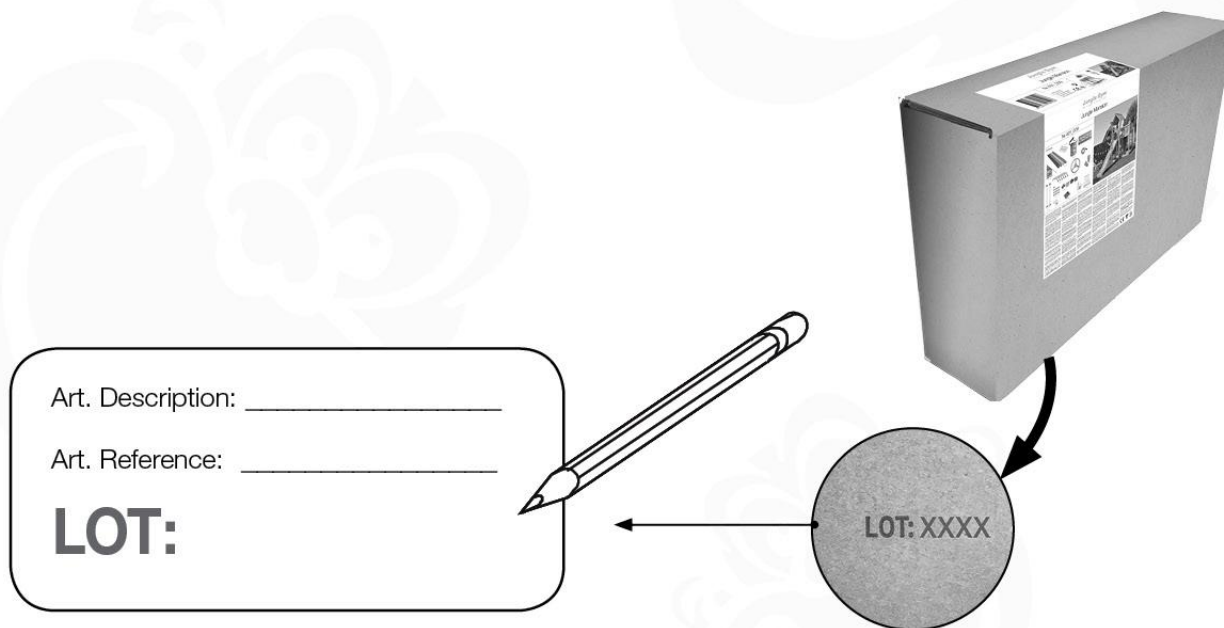
603_206 Jungle Viking



| | L | |
|---------------------------------|---|---|
| A220 | 219cm - 220cm | 6 x |
| - | - | - |
| C130 C114 C74 | 129cm - 130cm 113cm - 114cm 73cm - 74cm | 2 x 1 x 14 x |
| D74 D65 D60 D56 D47 | 73cm - 74cm 64cm - 65cm 59cm - 60cm 53cm - 56cm 46cm - 47cm | 19 x 16 x 23 x 2 x 1 x |

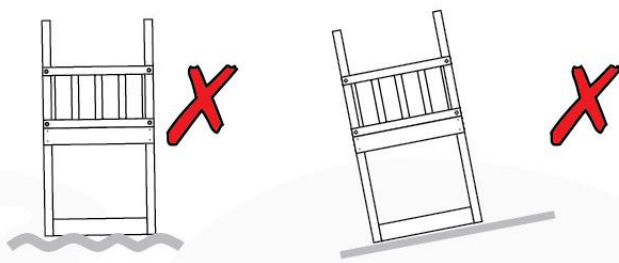
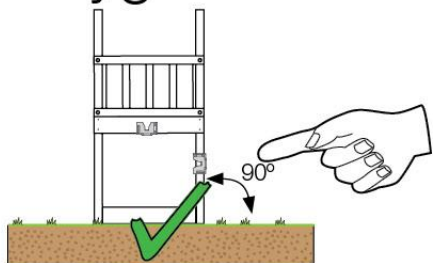
output: 01/10/21

04 Product ID

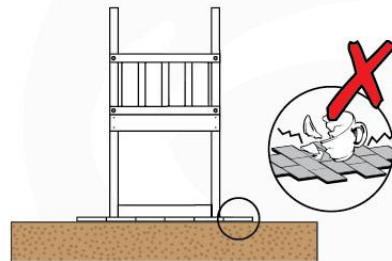
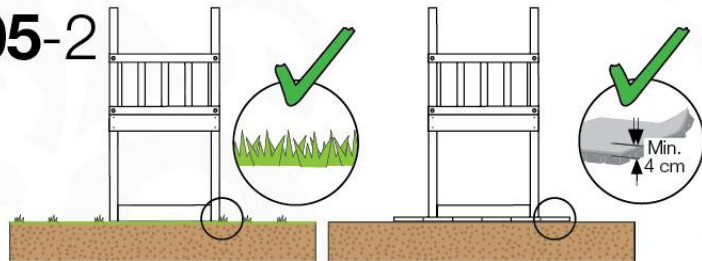


05 Safe Playground Planning

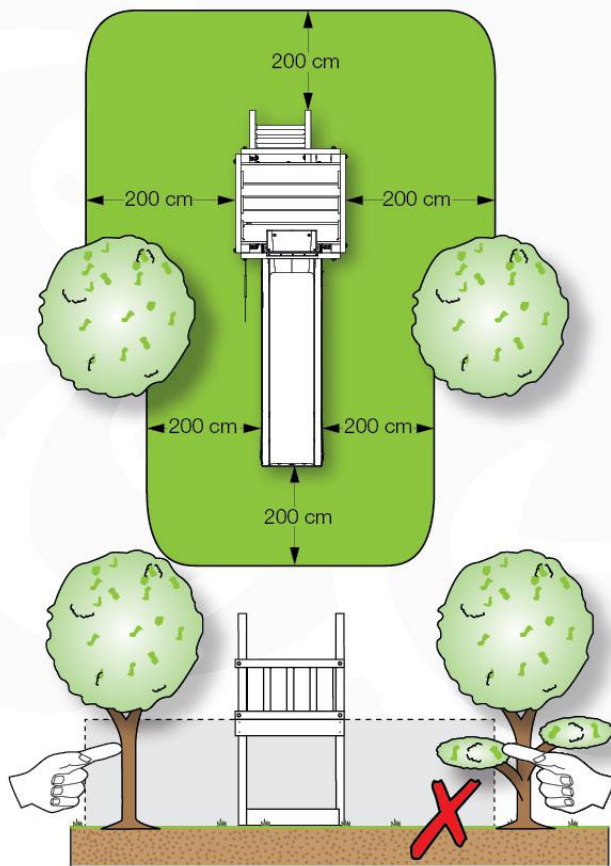
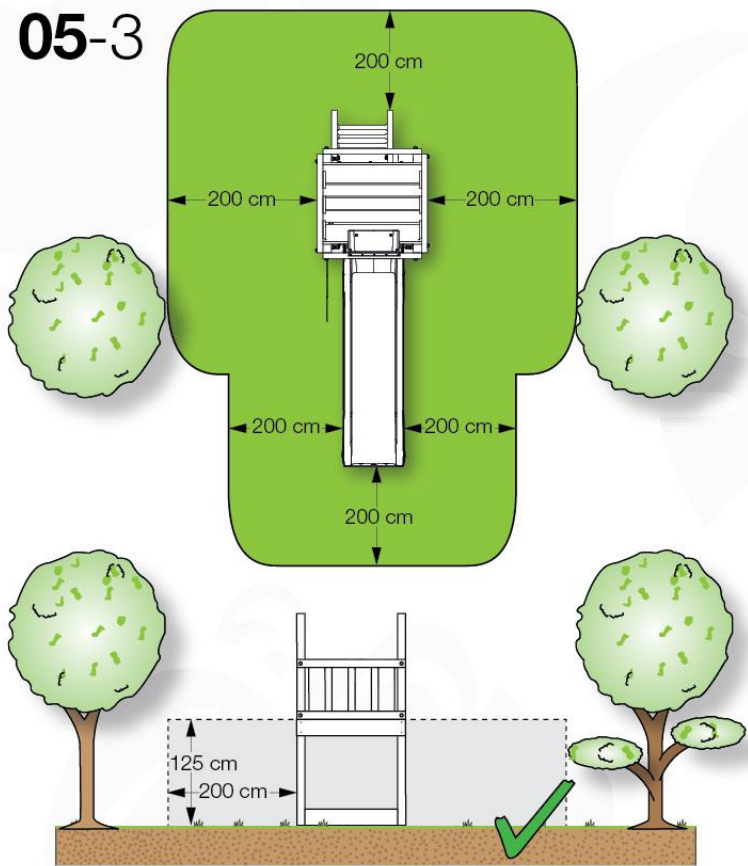
05-1



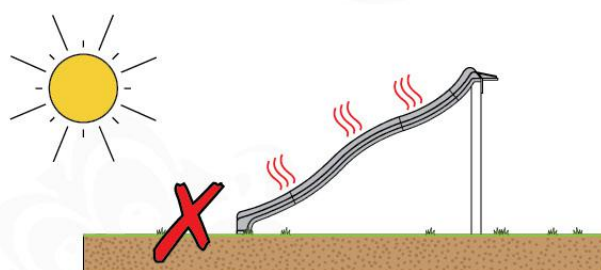
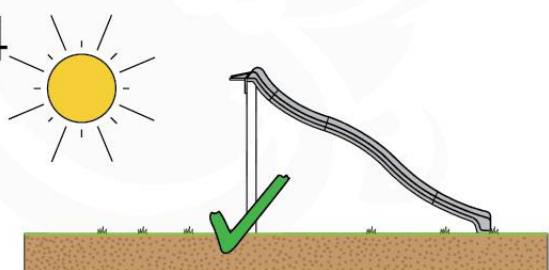
05-2



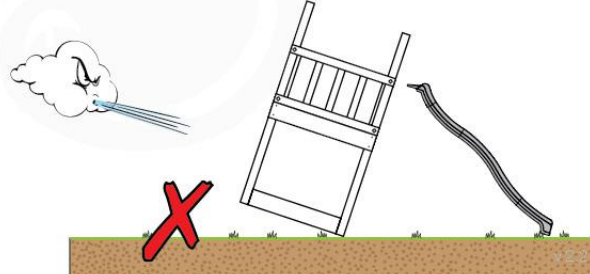
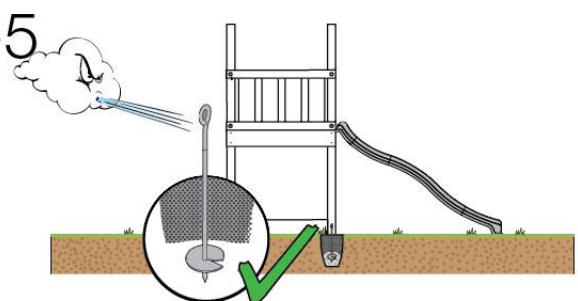
05-3



05-4



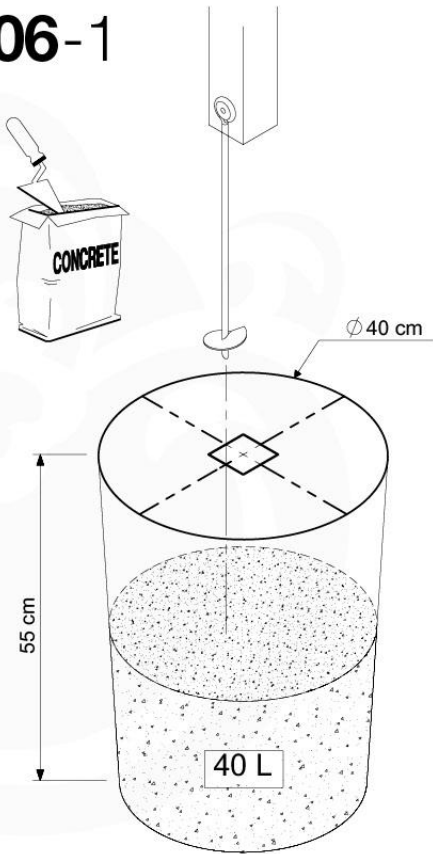
05-5



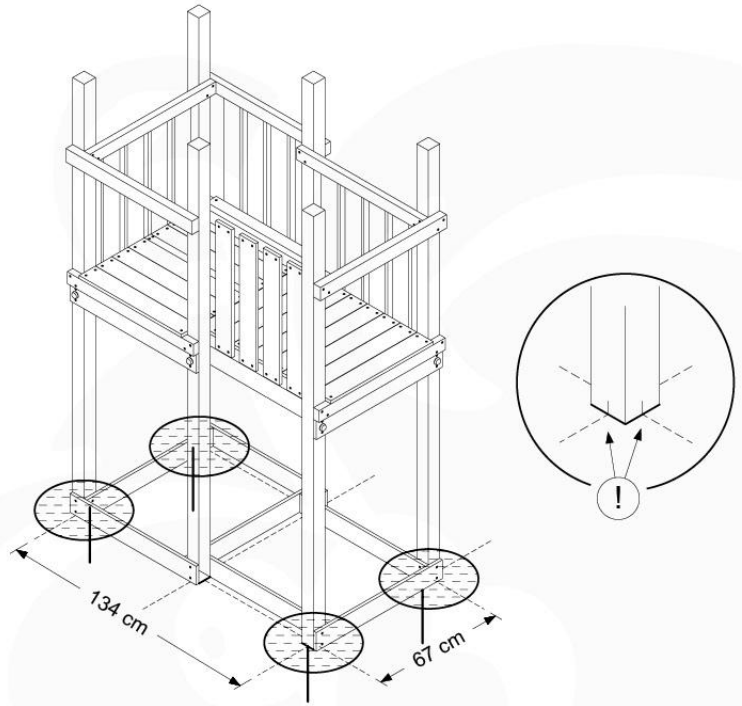
06 Playground Foundation

FD02

06-1



Foundation Plan - P03 - 2711-2020 - v8



See Foundation Plan 03

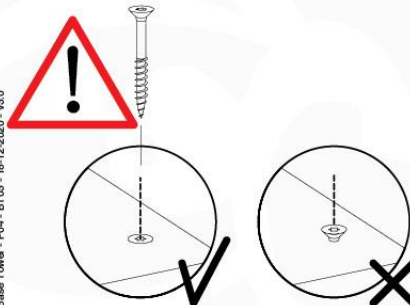
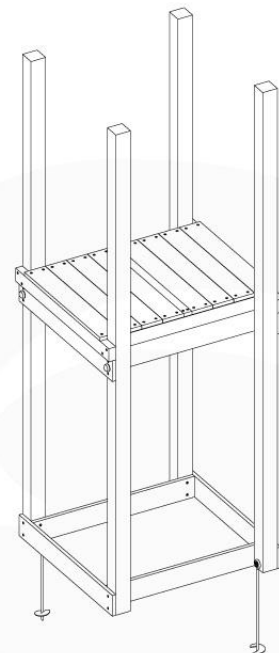
07 Base Tower

BT03

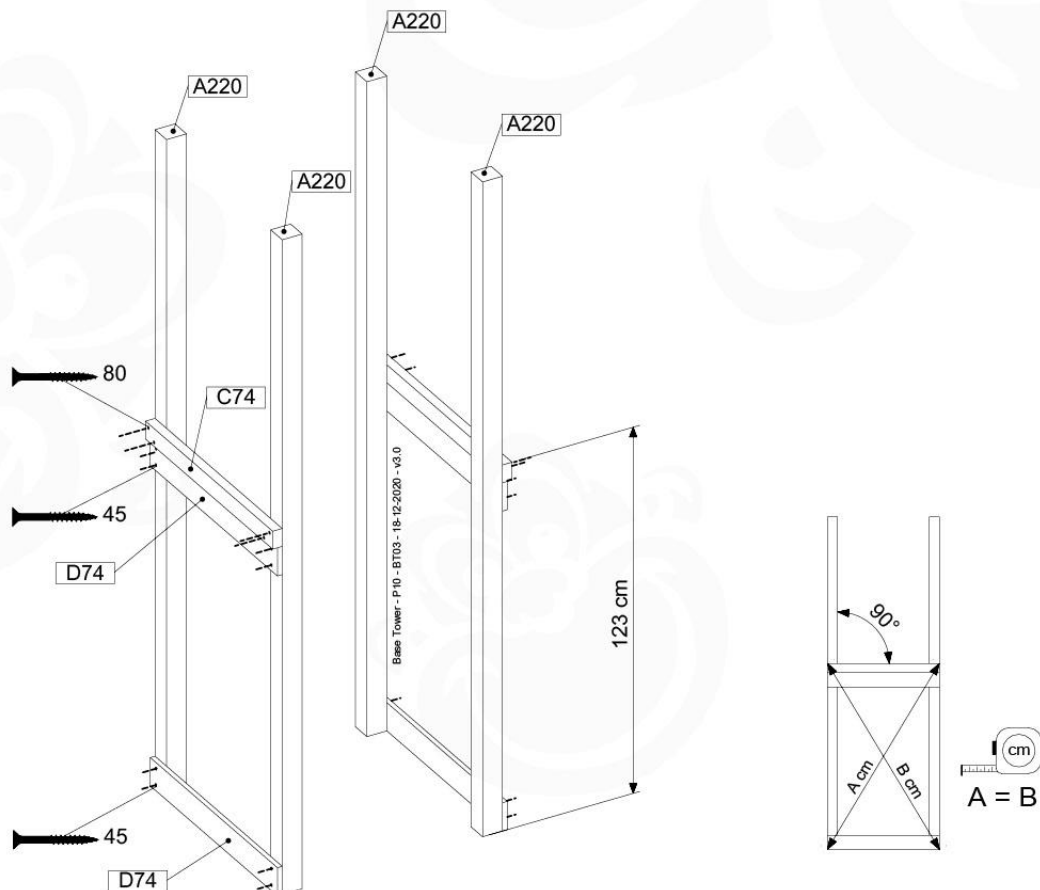
(194_100)

| | PartNo | PartName | QTY. |
|--------------------------|---------|----------------------------|------|
| Hardware Pack 100_600 | 001_406 | Stealth Screw 8x45 | 6 |
| | 002_220 | Gap Point Screw T25 - 5x45 | 72 |
| | 002_223 | Gap Point Screw T25 - 5x80 | 16 |
| Other | 007_001 | Ground-anchor | 2 |
| Hardware Pack 100_600 | 022_31x | bpc-base version 3 | 4 |
| | 022_84x | bpc cover | 4 |
| Wood | A220 | Post 70x70 L2200 | 4 |
| | C74 | Beam 740 mm | 4 |
| | D60 | Board 600 mm | 10 |
| | D74 | Board 740 mm | 8 |

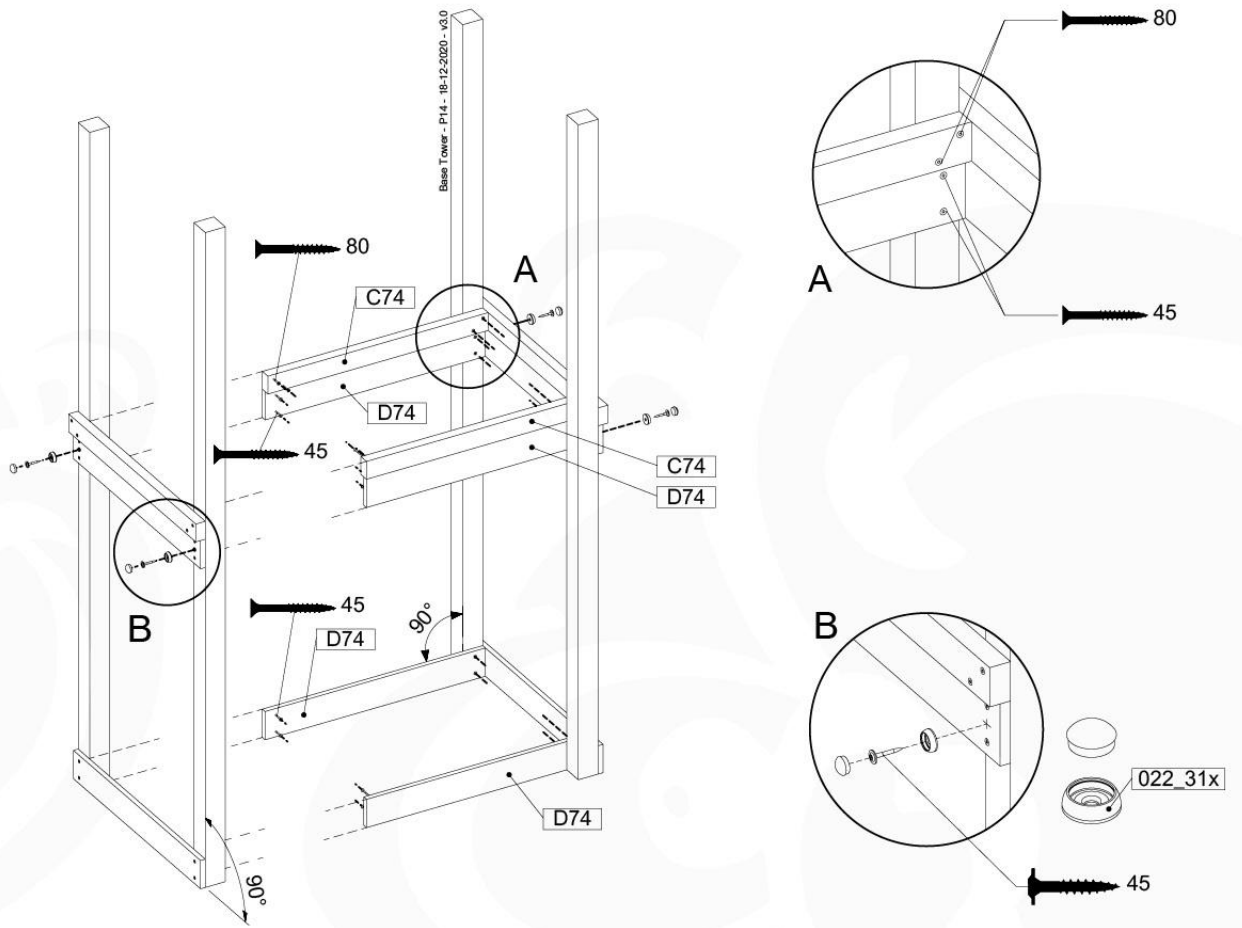
Base Tower - P04 - BT03 - 18-12-2020 - v3.0



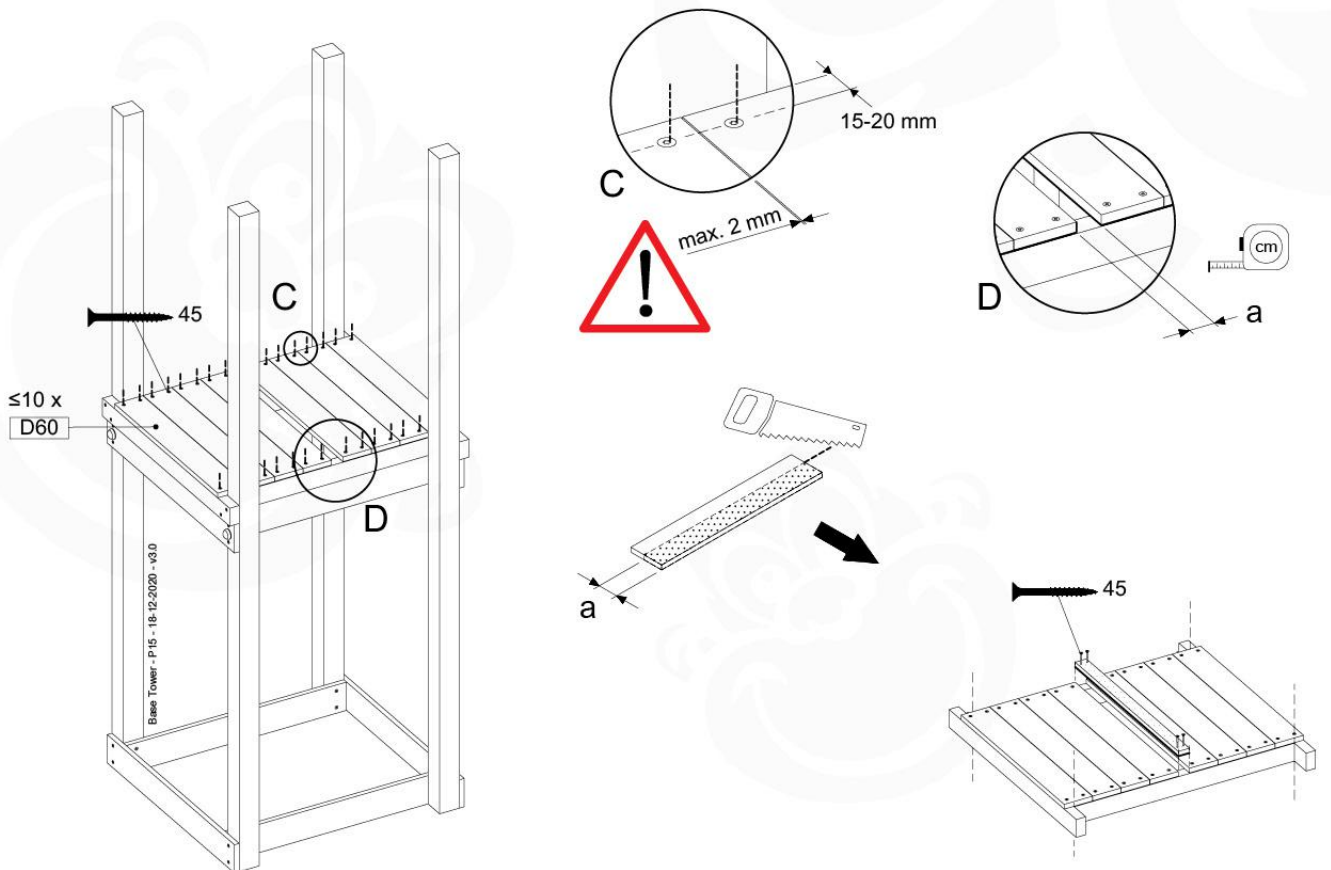
07-1



07-2



07-3



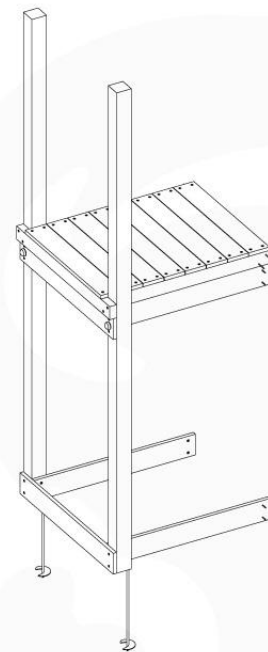
08 Extension Tower

ET02

(194_100)

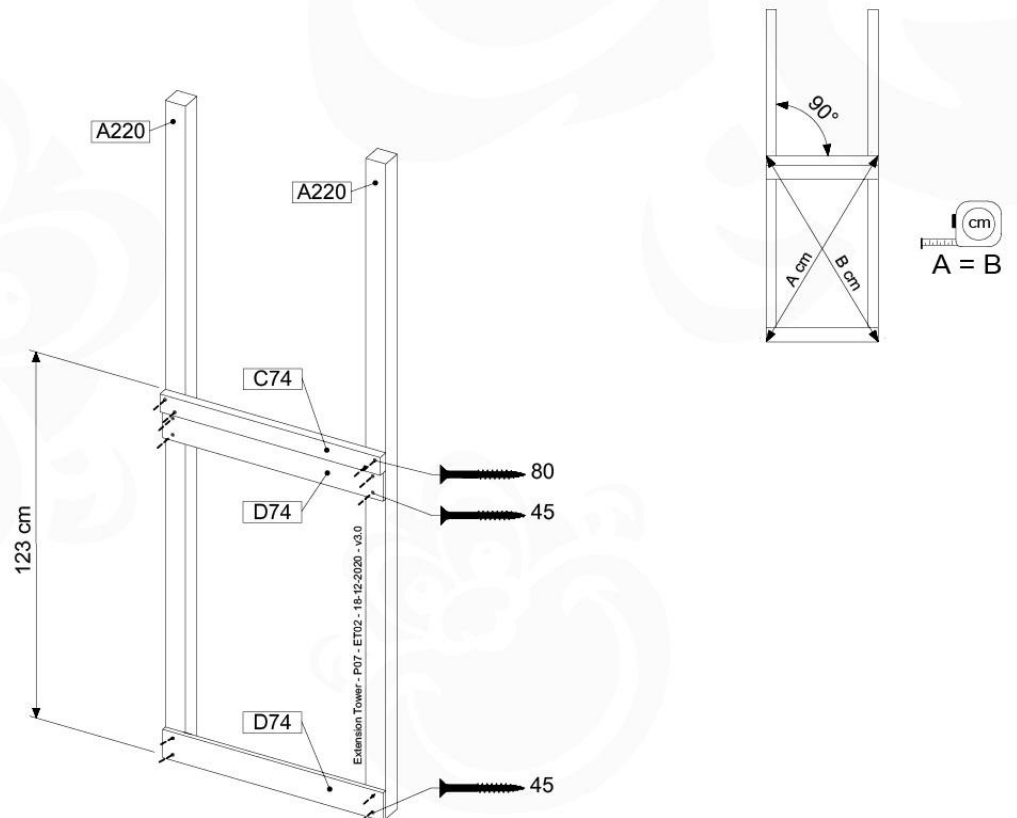
| | PartNo | PartName | QTY. |
|--------------------------|---------|----------------------------|------|
| Hardware Pack 100_600 | 001_406 | Stealth Screw 8x45 | 4 |
| | 002_220 | Gap Point Screw T25 - 5x45 | 60 |
| | 002_223 | Gap Point Screw T25 - 5x80 | 12 |
| Other | 007_001 | Ground-anchor | 2 |
| Hardware Pack 100_600 | 022_31x | bpc-base version 3 | 2 |
| | 022_84x | bpc cover | 2 |
| Wood | A220 | Post 70x70 L2200 | 2 |
| | C74 | Beam 740 mm | 3 |
| | D60 | Board 600 mm | 9 |
| | D74 | Board 740 mm | 6 |

Extension Tower - P03 - ET02 - 18-12-2020 - v3.0

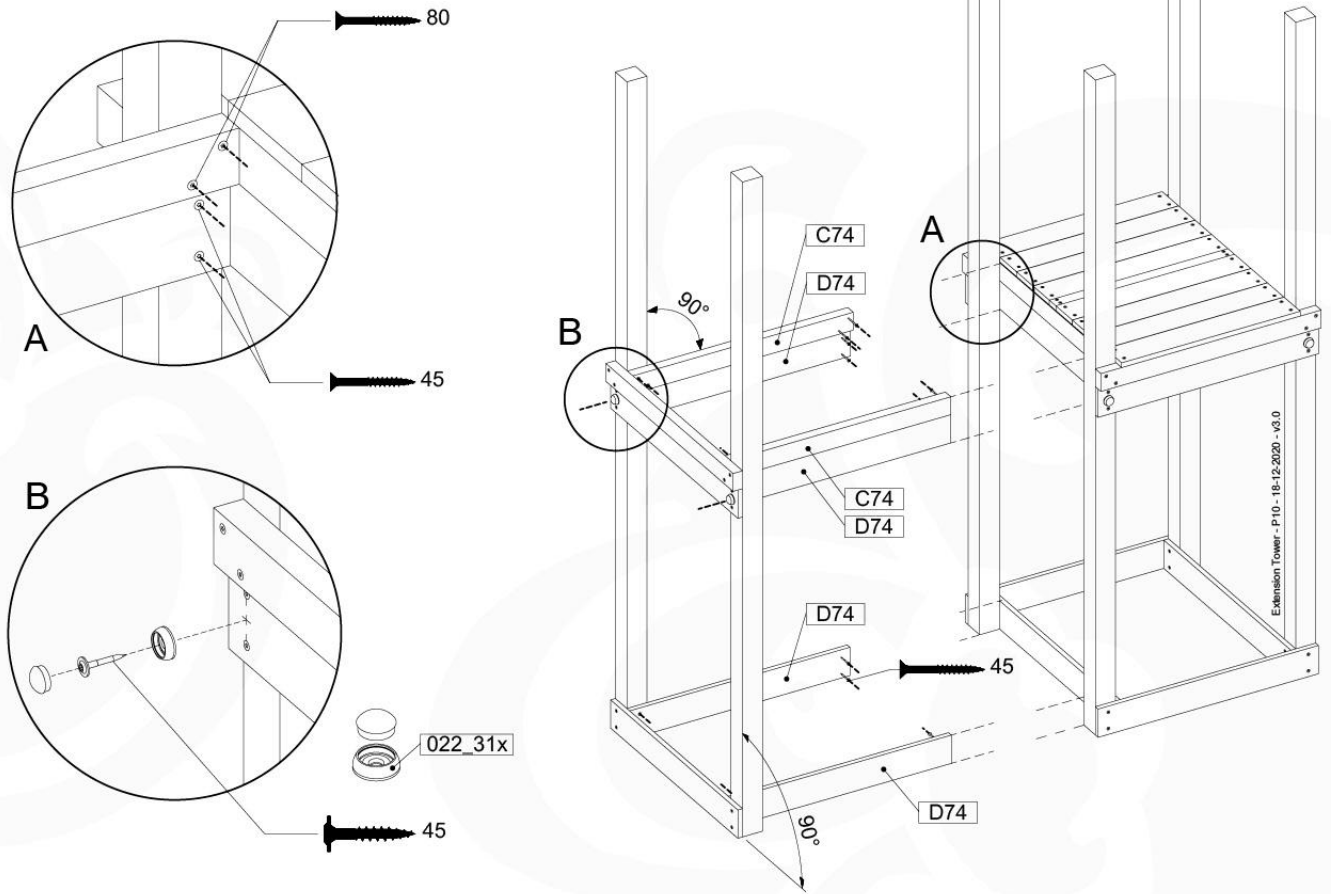


www.junglegym.com

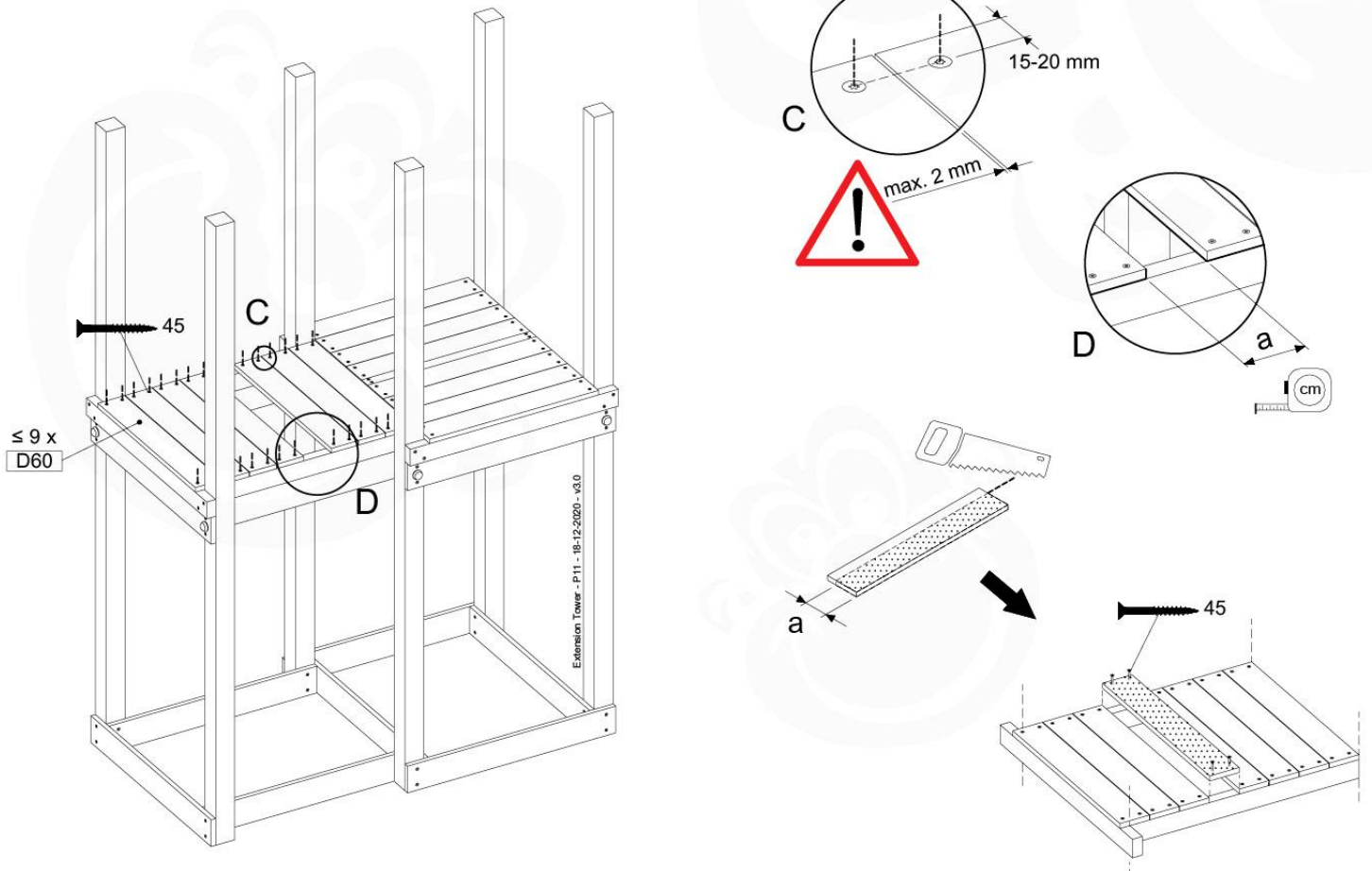
08-1



08-2



08-3



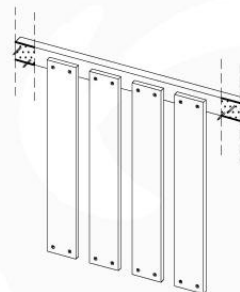
09 Balustrade (1x)

BL01

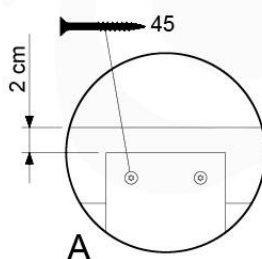
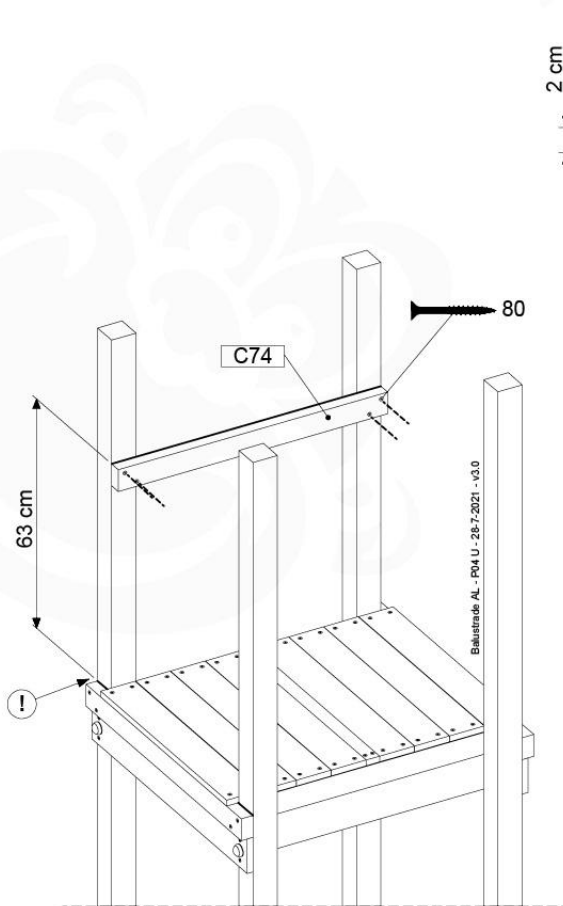
(194_101)

| | PartNo | PartName | QTY. |
|--------------------------|---------|----------------------------|------|
| Hardware Pack 100_601 | 002_220 | Gap Point Screw T25 - 5x45 | 16 |
| | 002_223 | Gap Point Screw T25 - 5x80 | 4 |
| Wood | C74 | Beam 740 mm | 1 |
| | D65 | Board 650 mm | 4 |

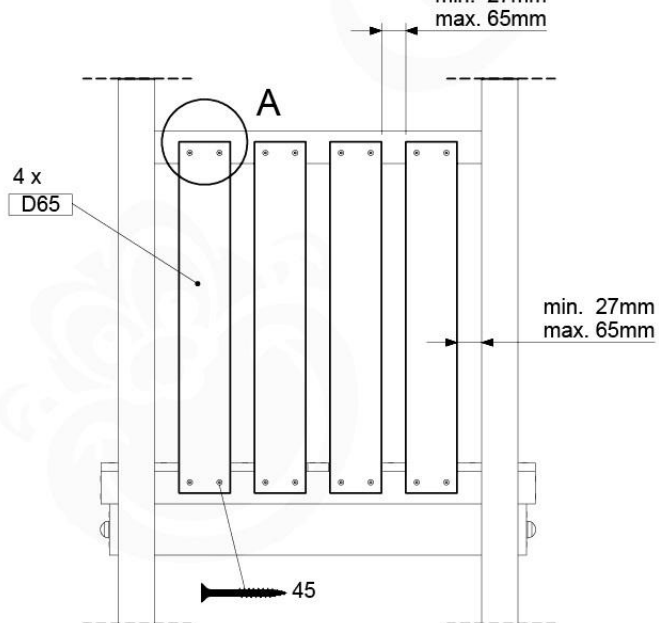
Balustrade AL - P02.U - 28.7.2021 - v3.0



09-1



min. 27mm
max. 65mm



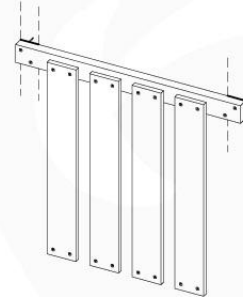
10 Balustrade (2x)

BL02

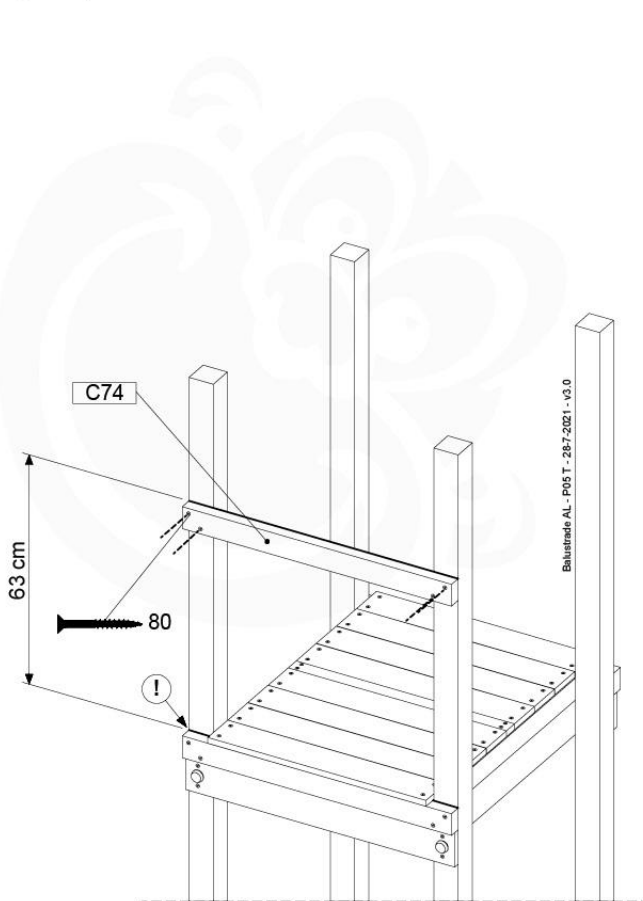
(194_101)

| | PartNo | PartName | QTY. |
|--------------------------|---------|----------------------------|------|
| Hardware Pack 100_601 | 002_220 | Gap Point Screw T25 - 5x45 | 16 |
| | 002_223 | Gap Point Screw T25 - 5x80 | 4 |
| Wood | C74 | Beam 740 mm | 1 |
| | D65 | Board 650 mm | 4 |

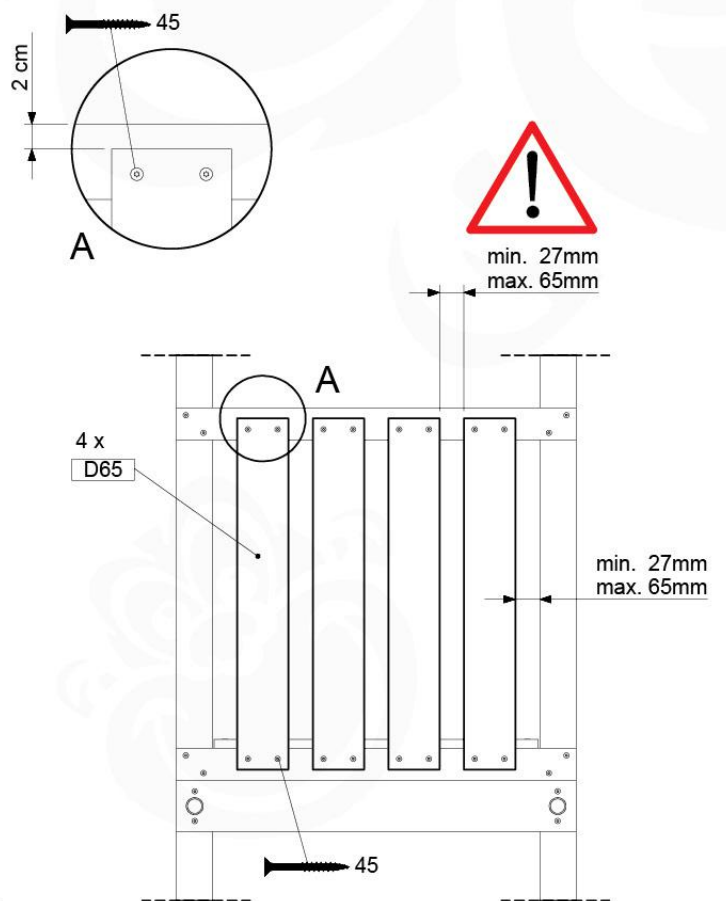
Balustrade AL - P03 T - 28-7-2021 - v3.0



10-1



Balustrade AL - P05 T - 28-7-2021 - v3.0



11 Rope Ladder

RL01

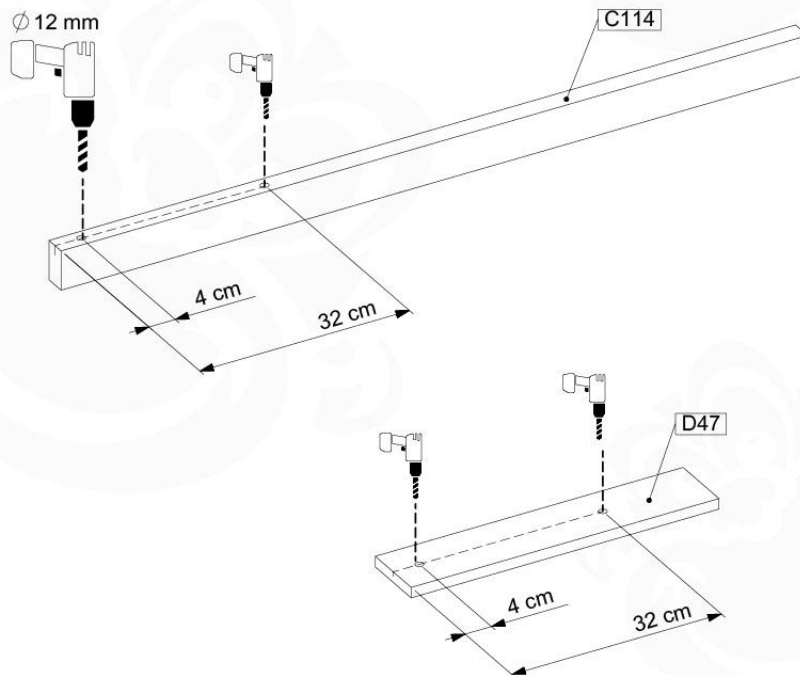
(194_115)

| | PartNo | PartName | QTY. |
|--------------------------|---------|----------------------------|------|
| Hardware Pack 100_613 | 001_417 | Stealth Screw 8x80 | 1 |
| | 002_220 | Gap Point Screw T25 - 5x45 | 3 |
| | 002_223 | Gap Point Screw T25 - 5x80 | 7 |
| Other | 020_308 | Rope 10mm x 7,6m | 1 |
| | 022_52x | Rope Ladder Rung -28cm- | 6 |
| Wood | C74 | Beam 740 mm | 1 |
| | C114 | Beam 1140 mm | 1 |
| | D47 | Board 470 mm | 1 |

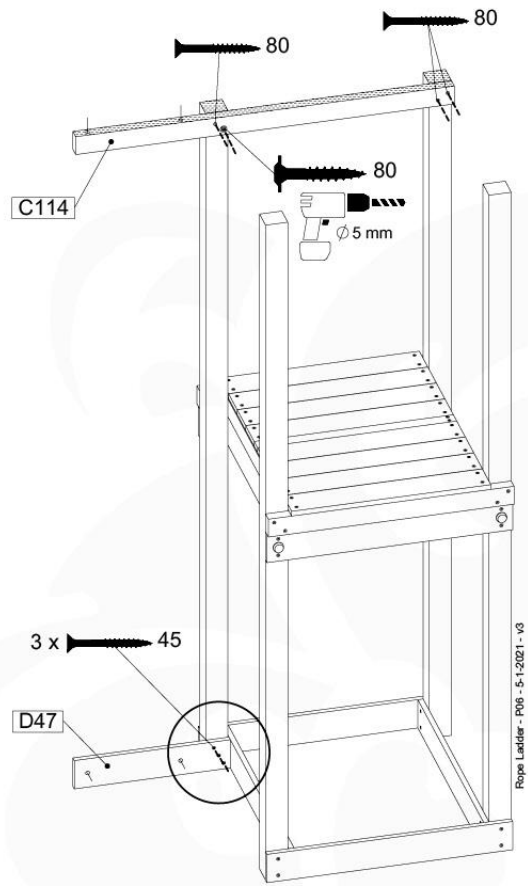
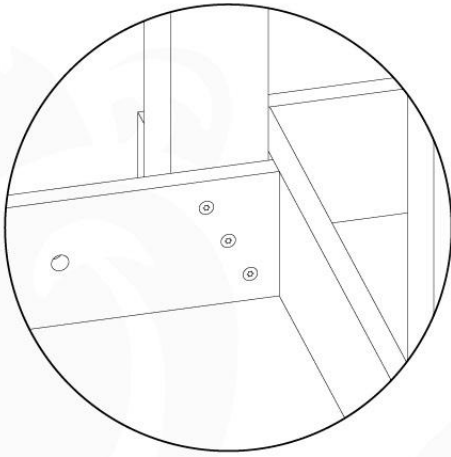
Rope Ladder - P12 - 5-1-2021 - V3



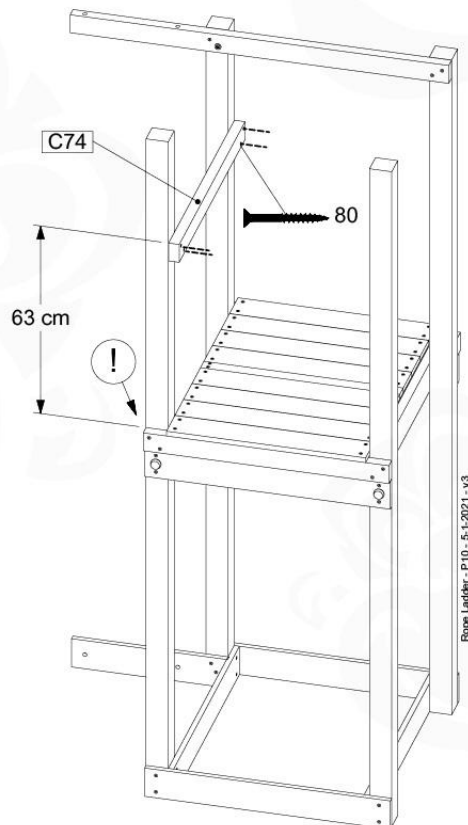
11-1



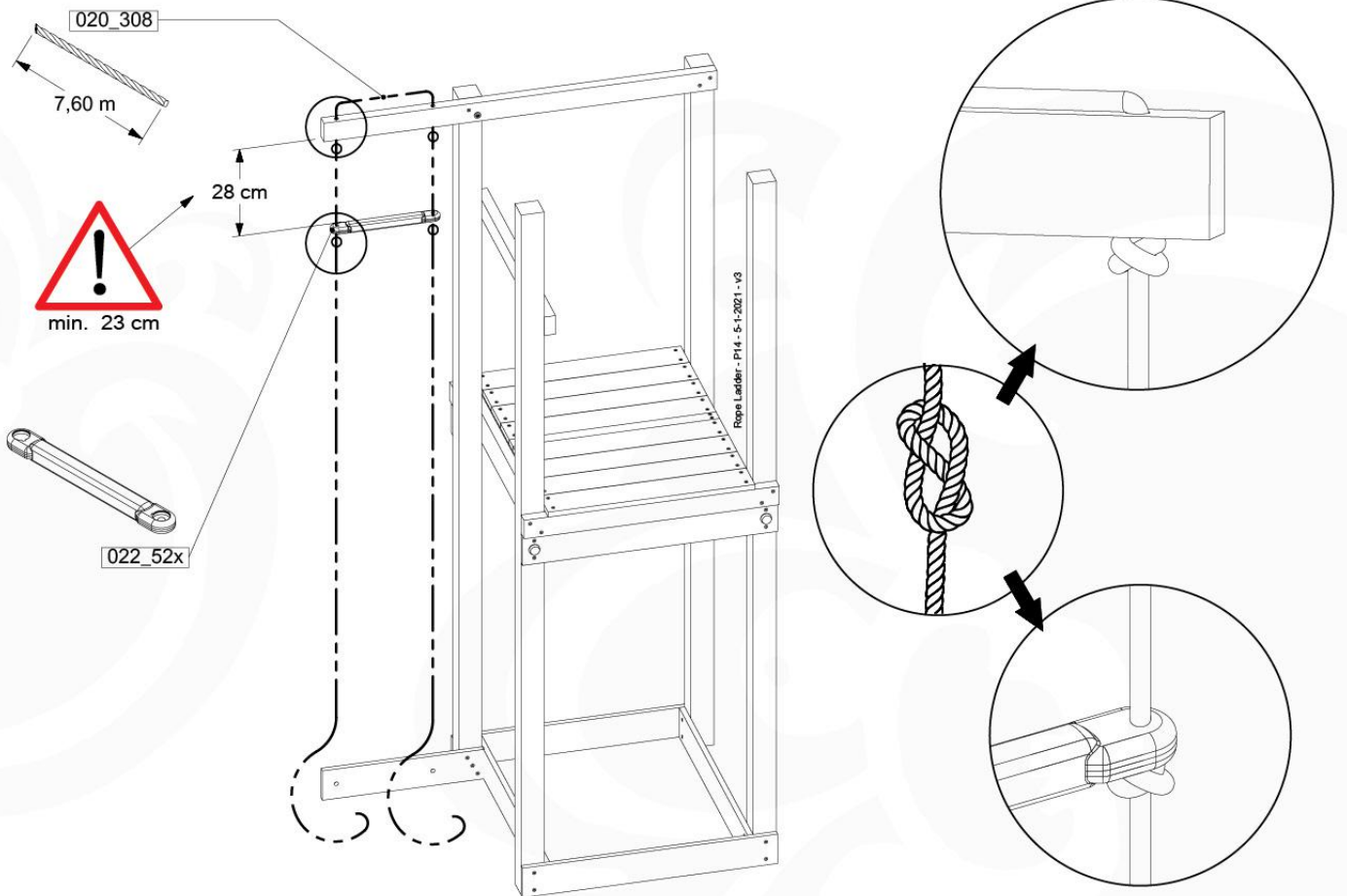
11-2



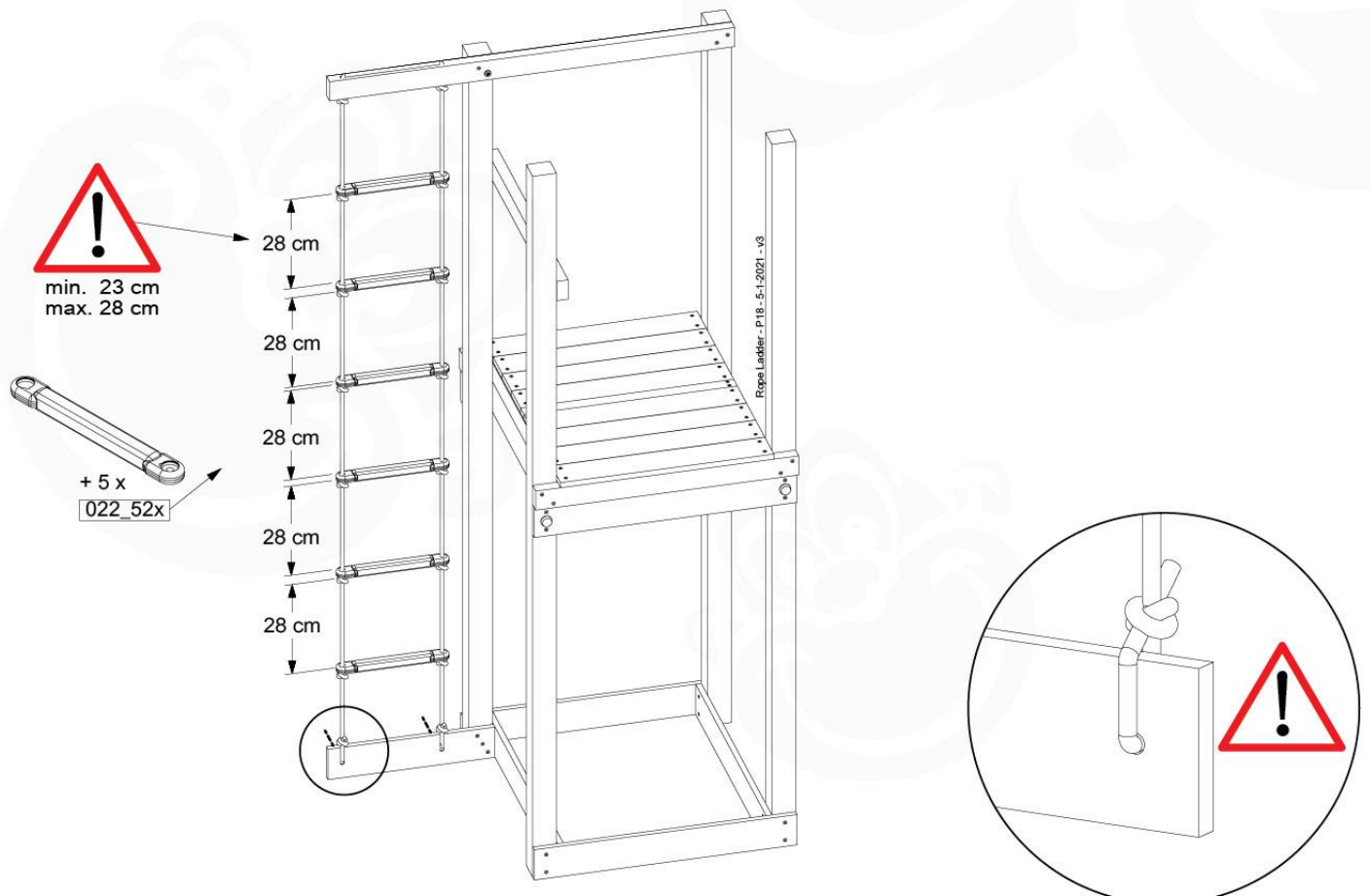
11-3



11-4



11-5



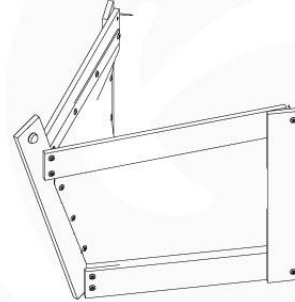
12 Boat

B001

(194_115)

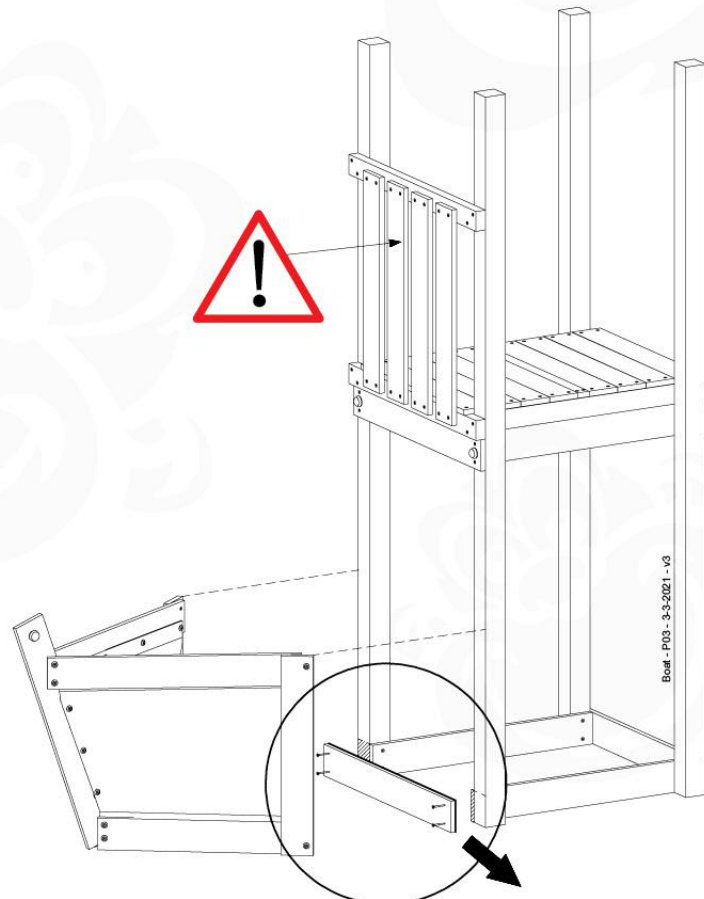
| | PartNo | PartName | QTY. |
|--------------------------|---------|--|------|
| Hardware Pack 100_612 | 002_219 | Gap Point Screw T25 - 5x30 | 8 |
| | 002_220 | Gap Point Screw T25 - 5x45 | 8 |
| | 002_223 | Gap Point Screw T25 - 5x80 | 4 |
| | 002_308 | Gap Point Screw T25 - 5x20 | 28 |
| | 022_84x | bpc cover | 2 |
| | 022_31x | bpc-base version 3 | 2 |
| | 023_031 | Finishing Washer GPS 5.0 | 40 |
| Other | 123_220 | Canvas sheet 735x1365mm (fits 2 sides) | 1 |
| Wood | D60 | Board 600 mm | 4 |
| | D74 | Board 740 mm | 3 |

Boat - P102 - 3-3-2021 - v3

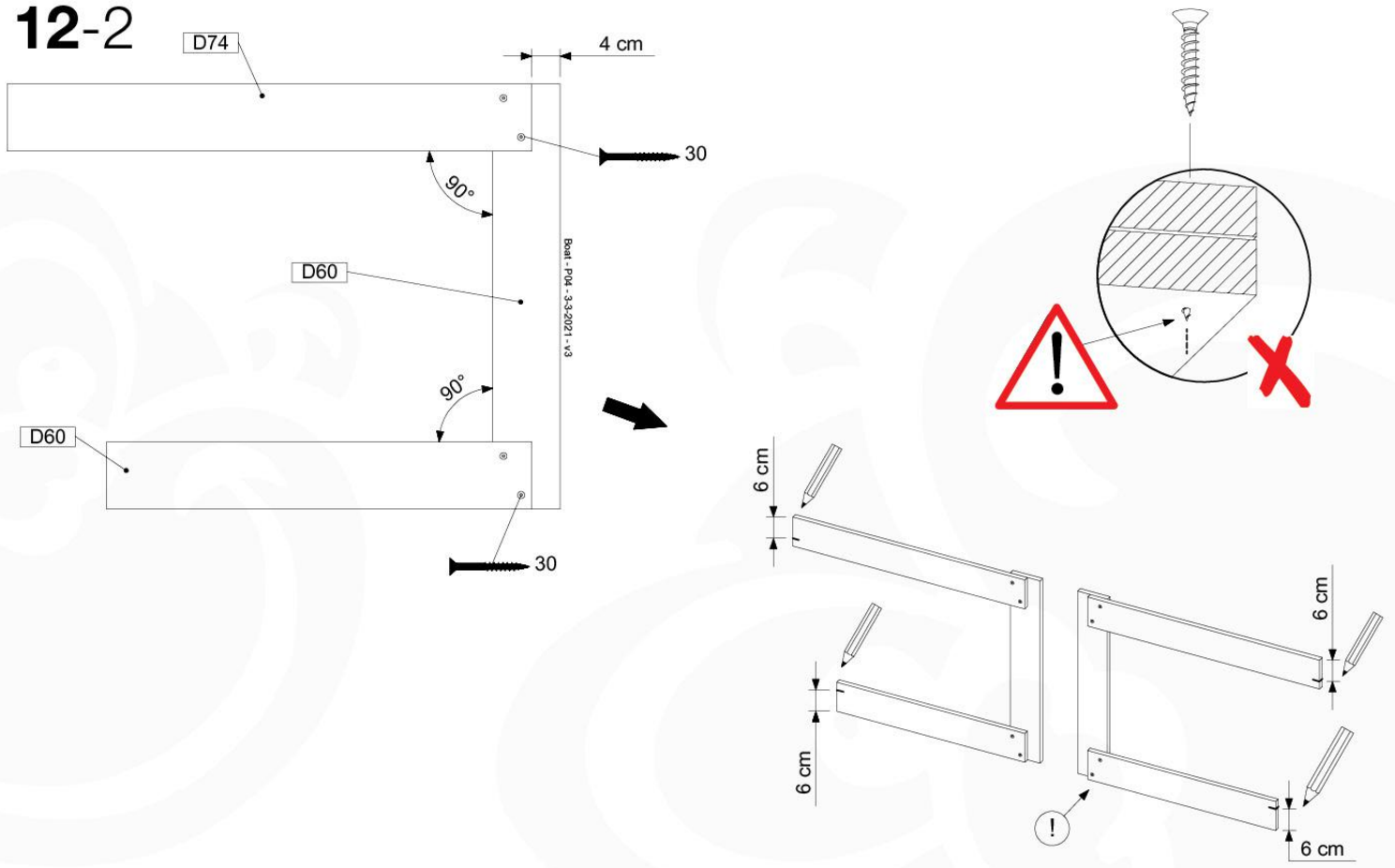


© Jungle Gym B.V. - www.junglegym.com

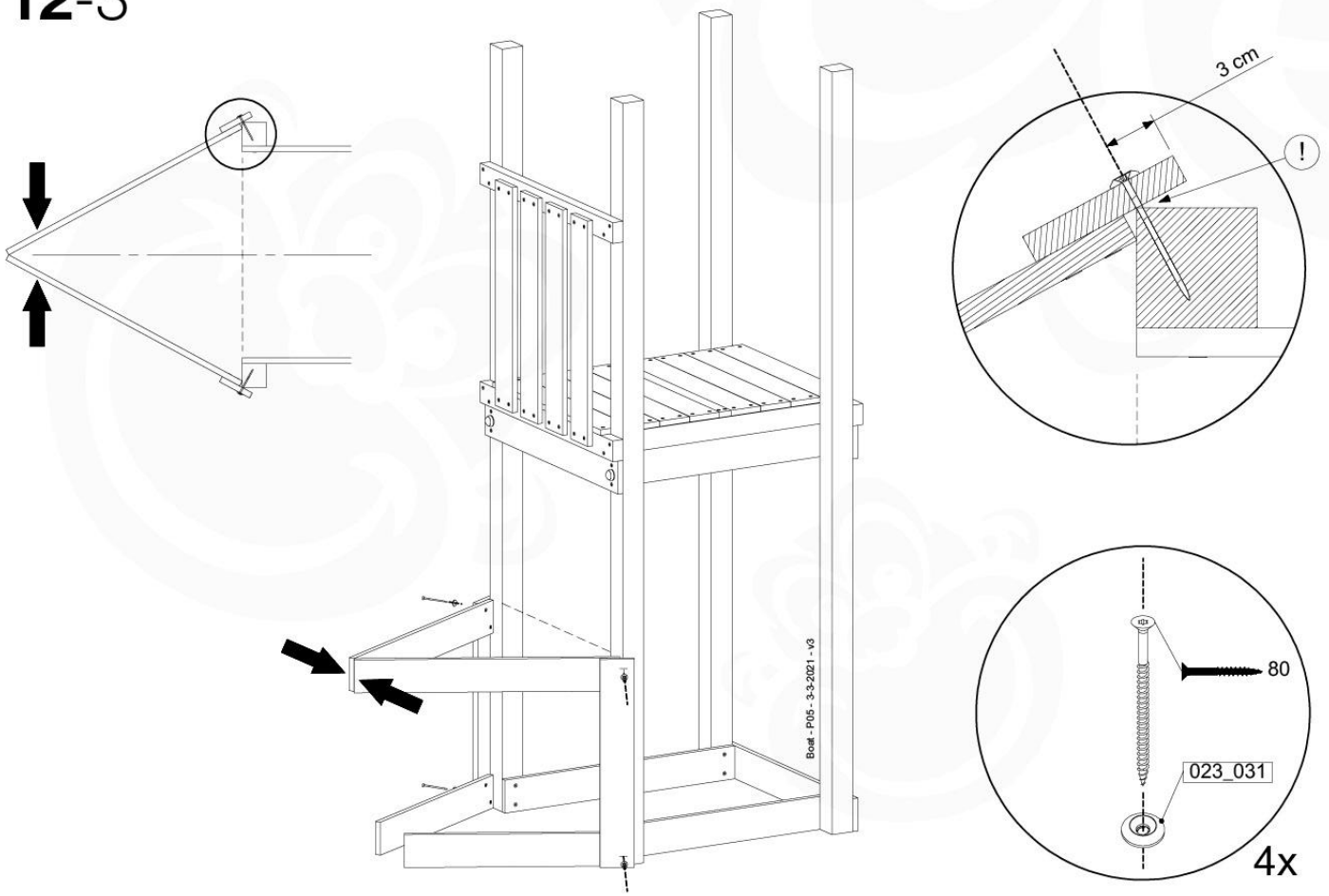
12-1



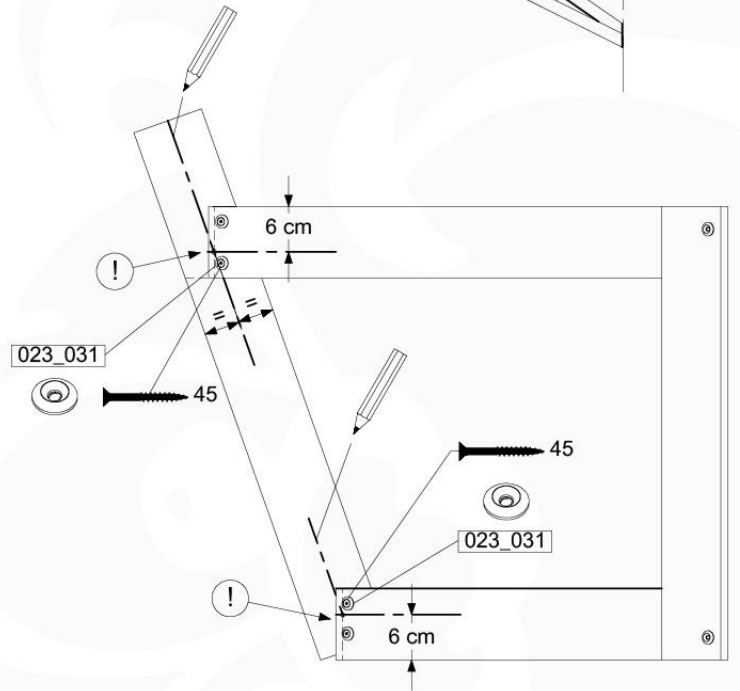
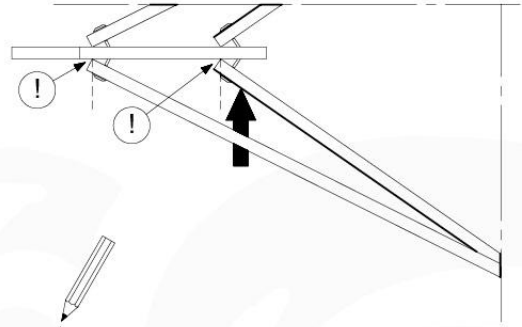
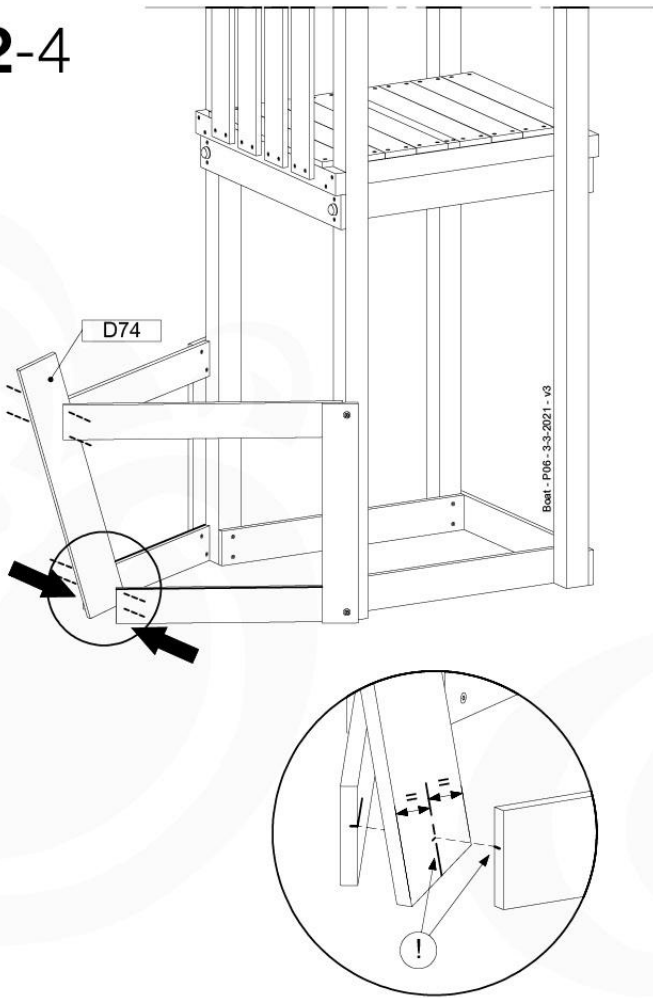
12-2



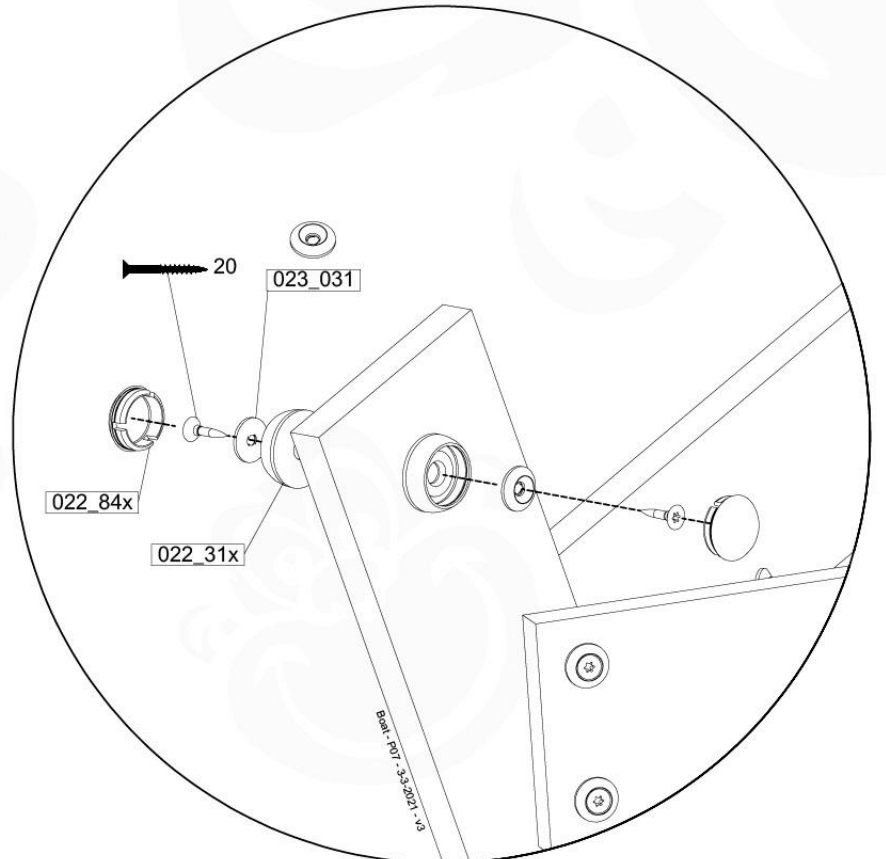
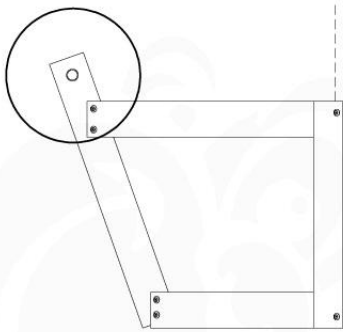
12-3



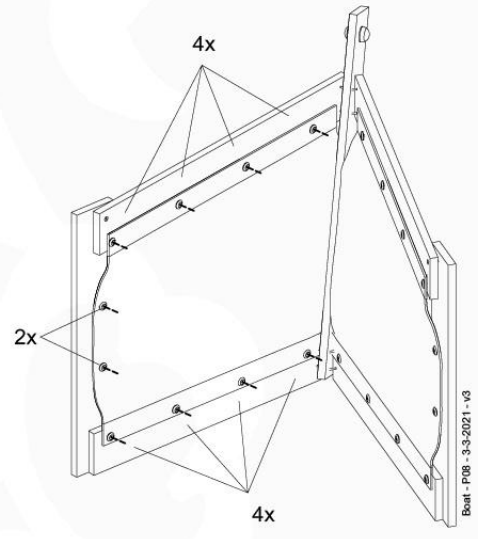
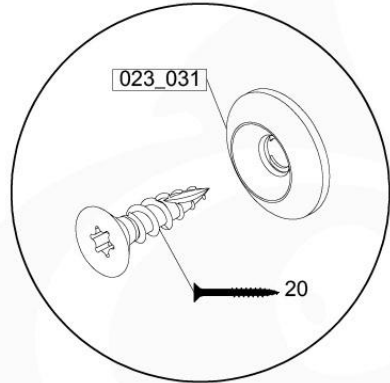
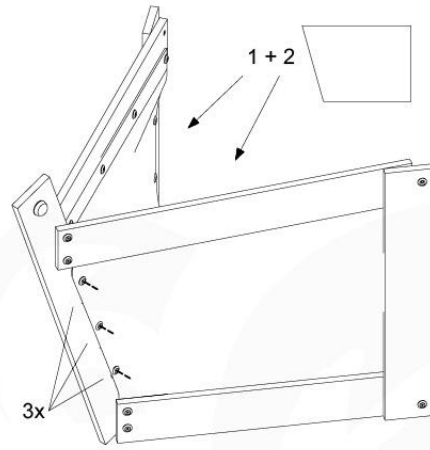
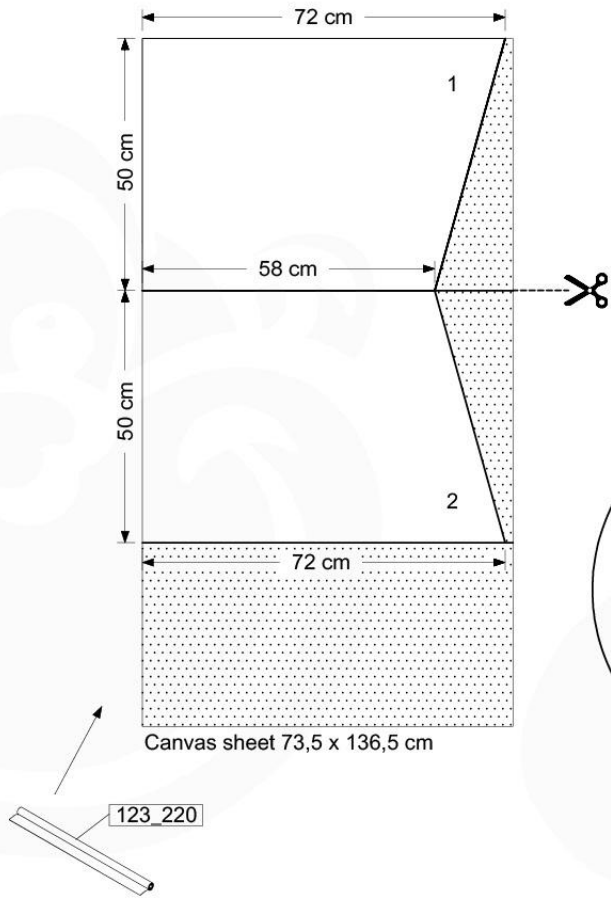
12-4



12-5



12-6



Beat - P108 - 3-3-2021 - v3

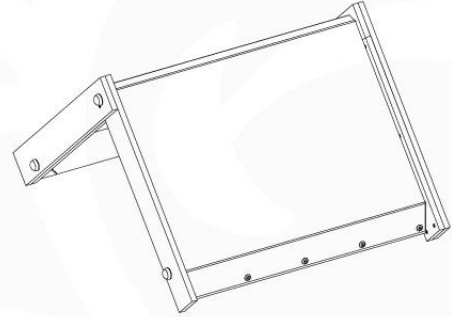
13 Roof Canvas Gable

RF02

(194_108)

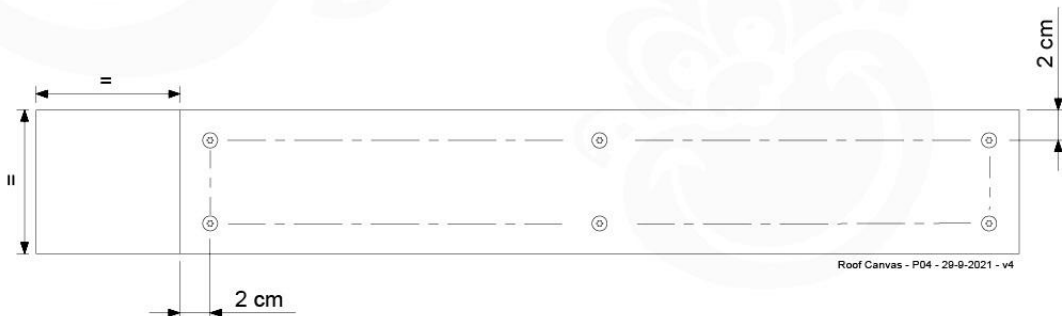
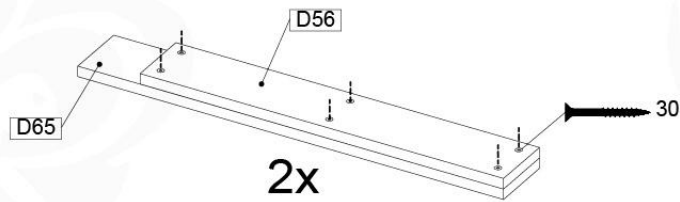
| | PartNo | PartName | QTY. |
|-----------------------|---------|---|------|
| Hardware Pack 100_606 | 001_417 | Stealth Screw 8x80 | 6 |
| | 002_219 | Gap Point Screw T25 - 5x30 | 12 |
| | 002_220 | Gap Point Screw T25 - 5x45 | 8 |
| | 002_223 | Gap Point Screw T25 - 5x80 | 2 |
| | 002_308 | Gap Point Screw T25 - 5x20 | 10 |
| | 022_31x | bpc-base version 3 | 6 |
| | 022_84x | bpc cover | 6 |
| | 023_031 | Finishing Washer GPS 5.0 | 10 |
| Other | 123_220 | Canvas sheet 735x1365mm (min. 735x1250) | 1 |
| Timber | C74 | Beam 740 mm | 1 |
| | D56 | Board L=(650 - board width) mm | 2 |
| | D65 | Board 650 mm | 4 |
| | D74 | Board 740 mm | 2 |

Roof Canvas - P02 - 29-9-2021 - v4

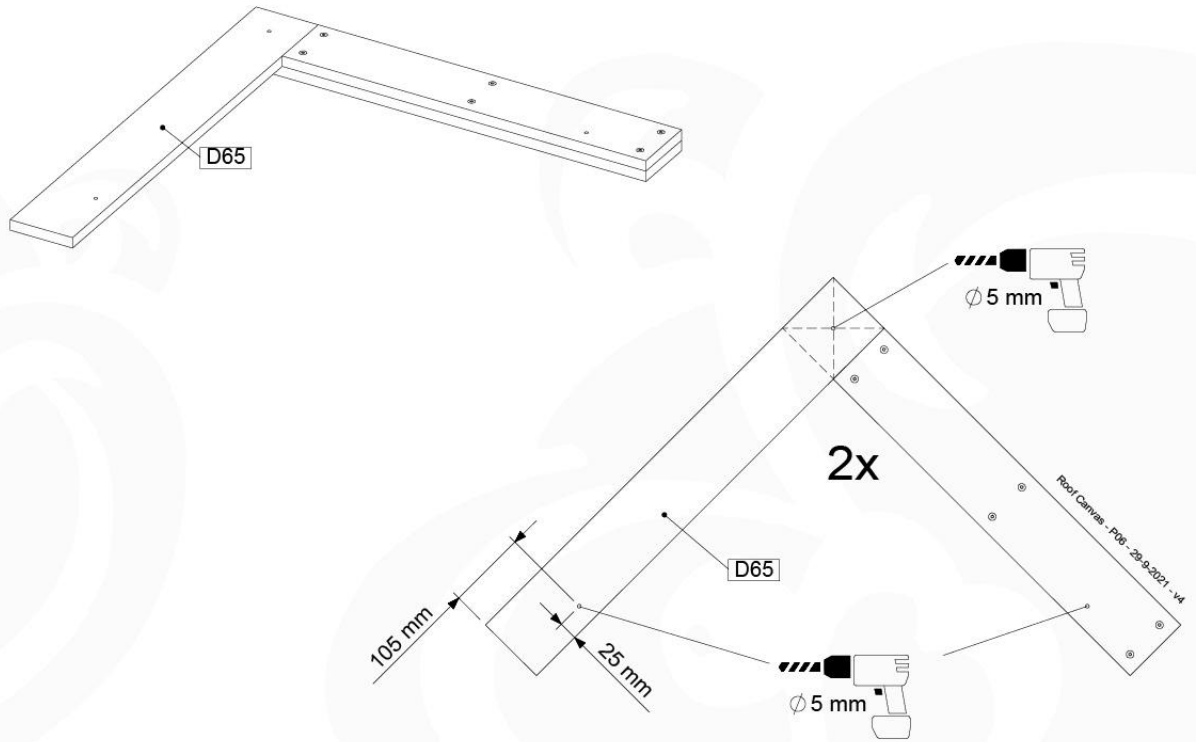


Modular 4L Roof Canvas

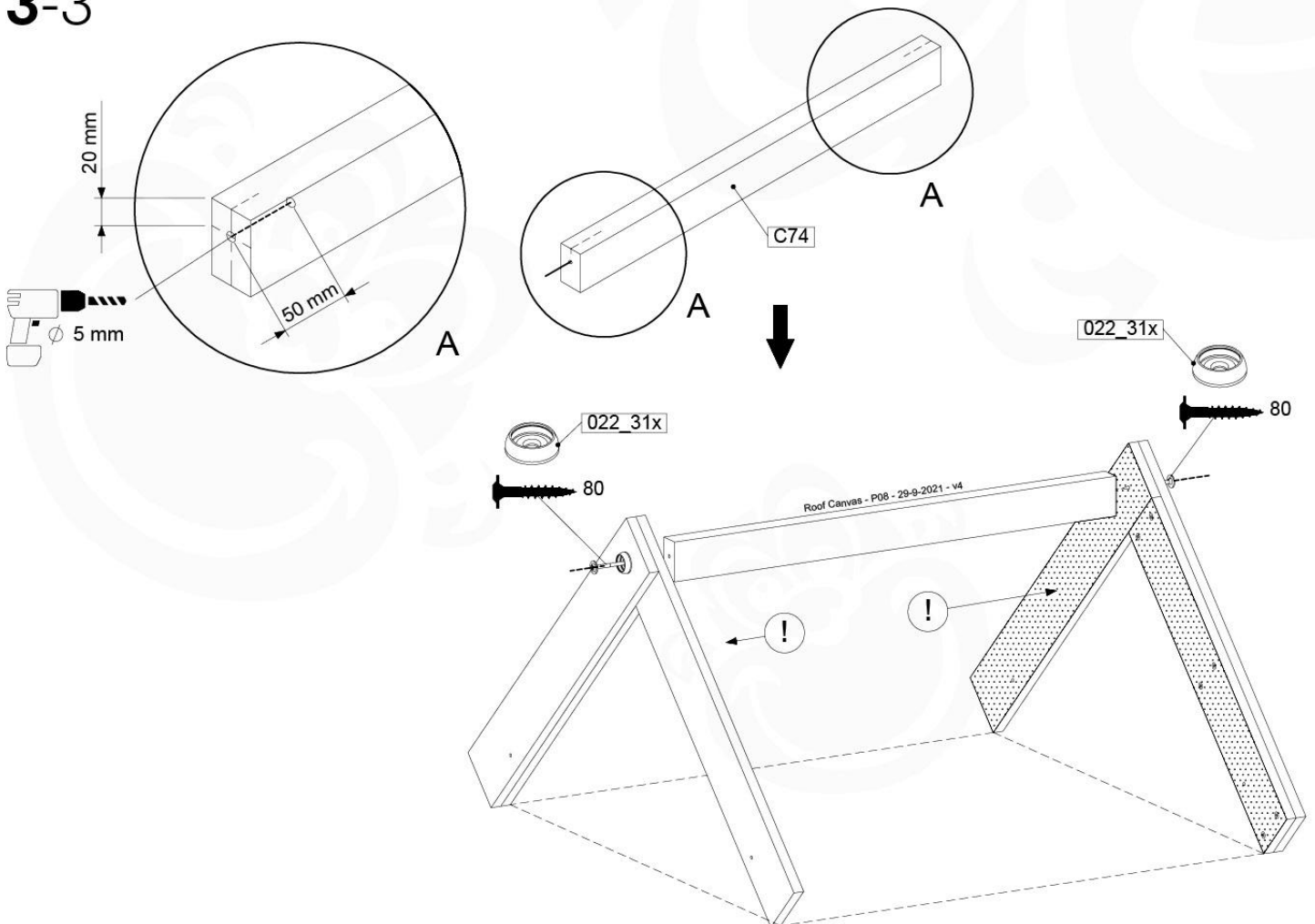
13-1



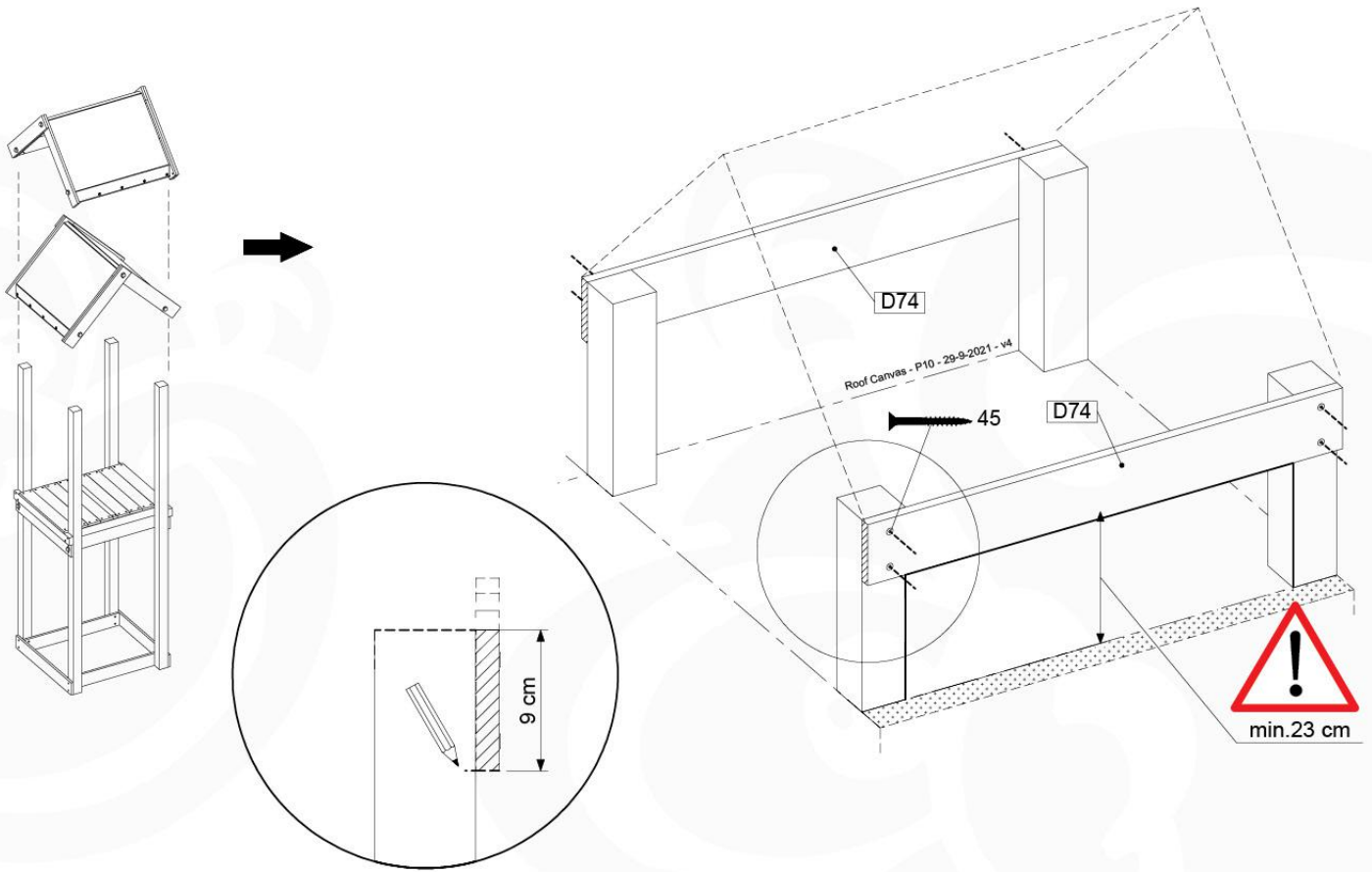
13-2



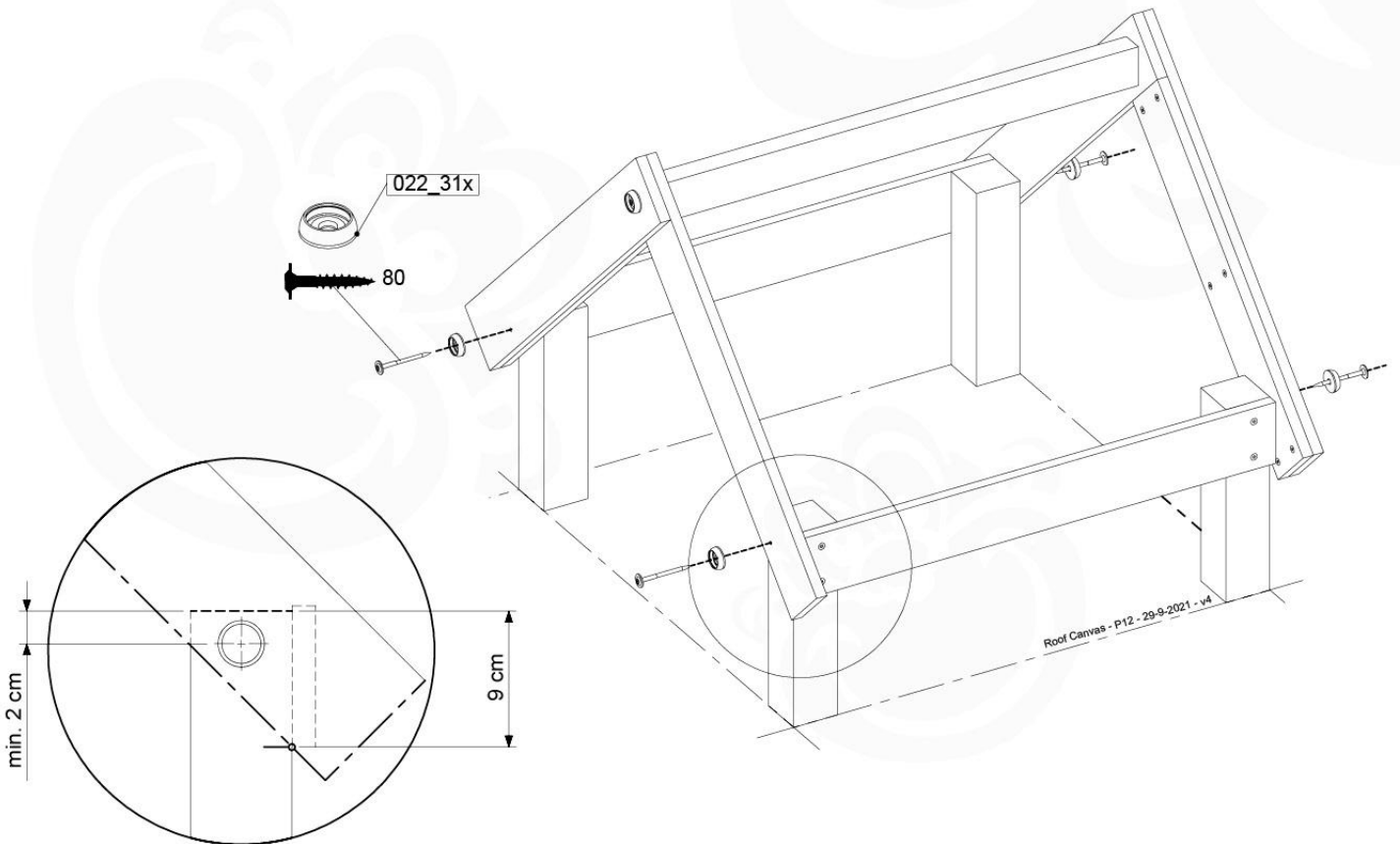
13-3



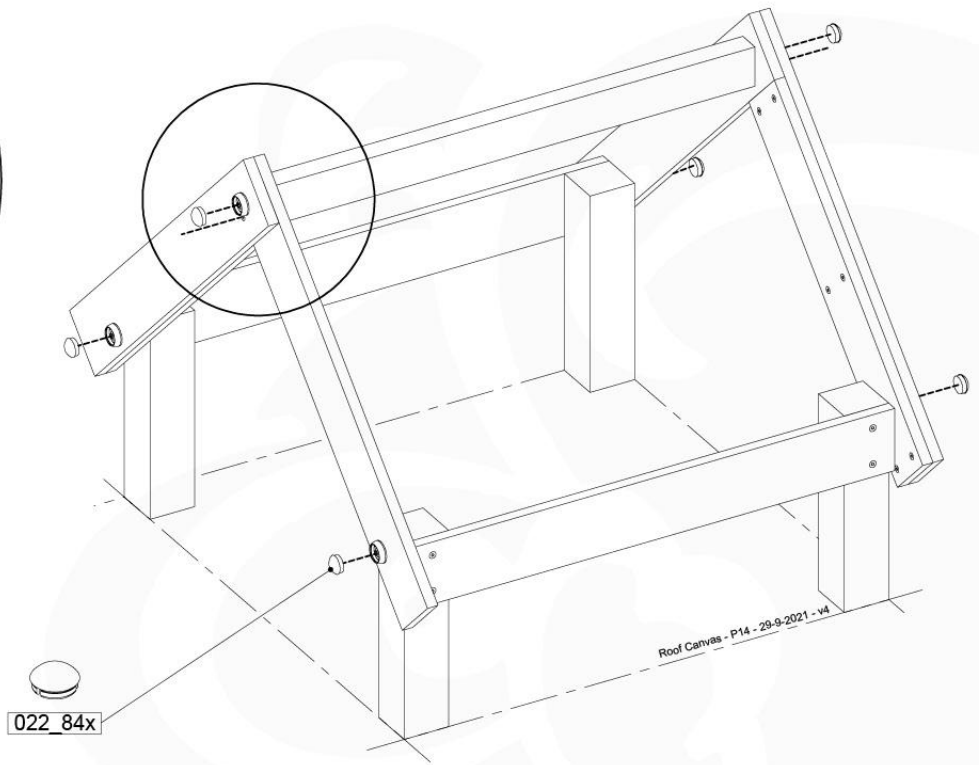
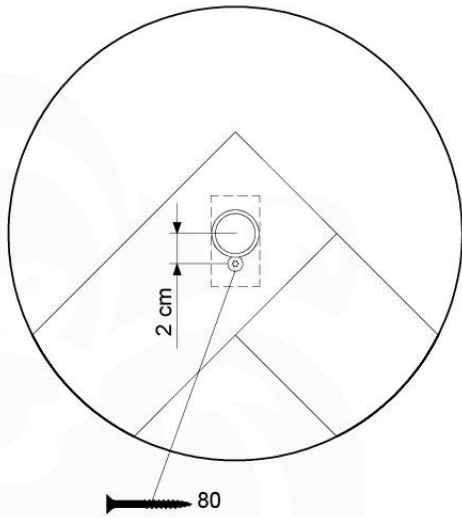
13-4



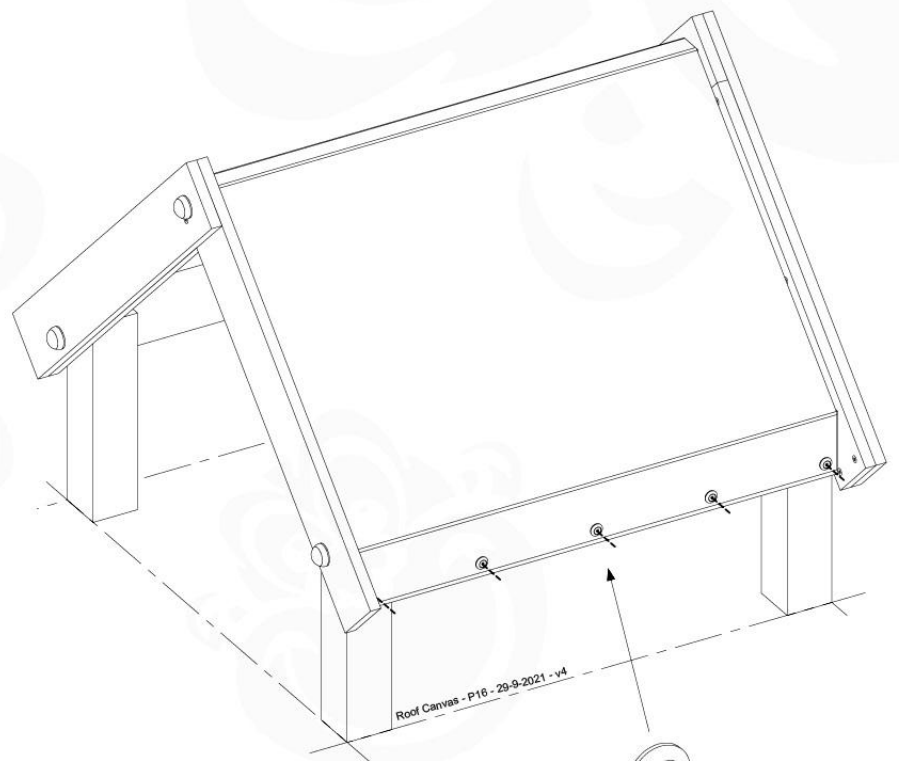
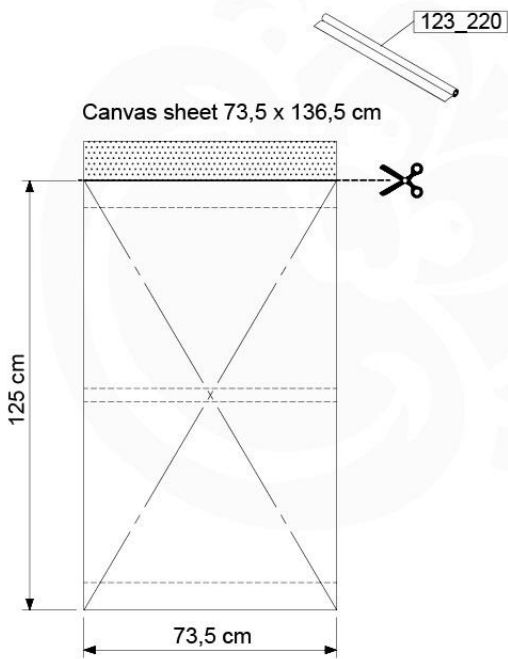
13-5



13-6



13-7



14 Ladder

LA01

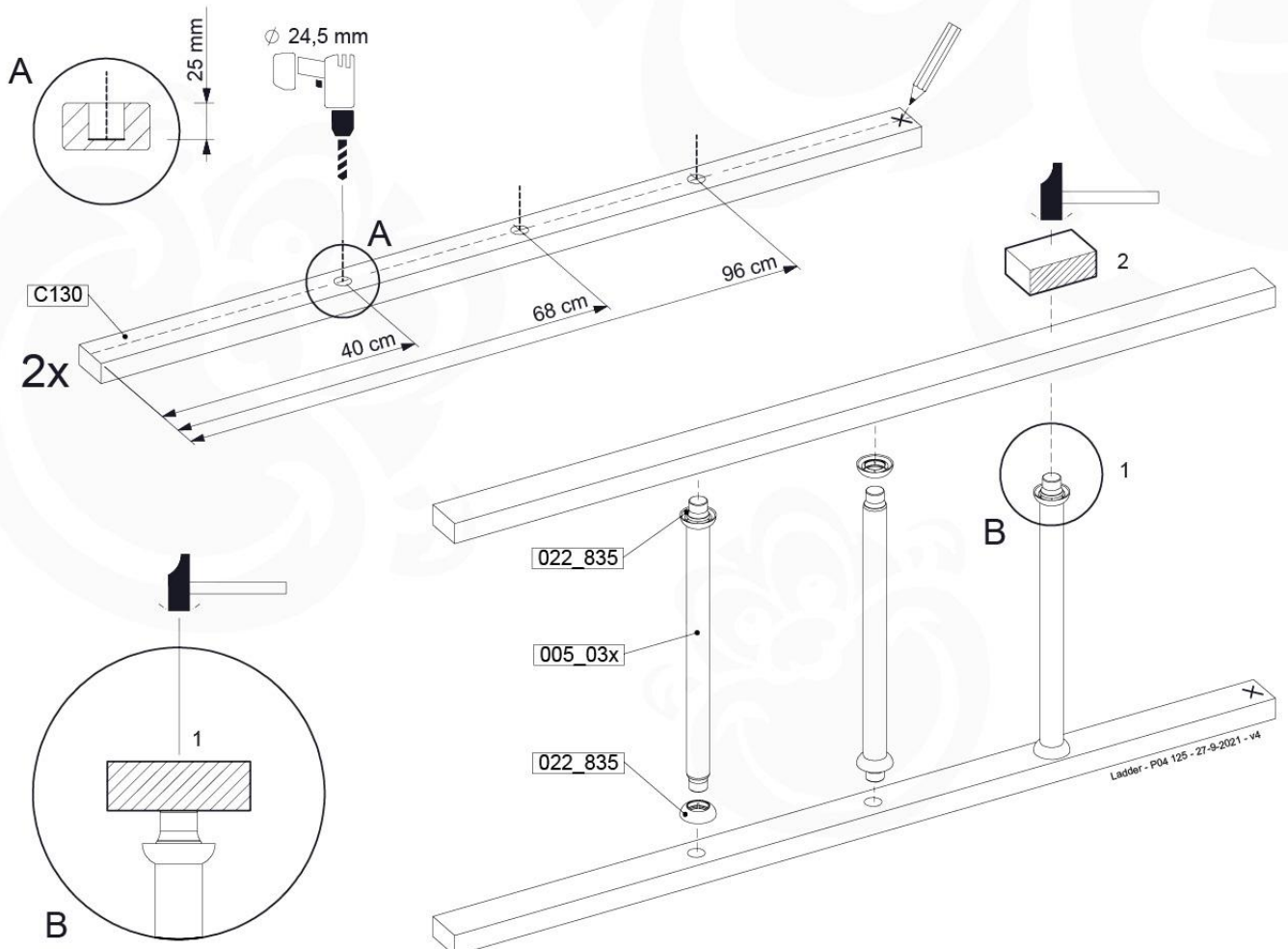
(194_103)

| | PartNo | PartName | QTY. |
|--------------------------|---------|--------------------------------|------|
| Hardware Pack 100_603 | 001_404 | Stealth Screw 8x30 | 4 |
| | 002_219 | Gap Point Screw T25 - 5x30 | 4 |
| | 002_220 | Gap Point Screw T25 - 5x45 | 6 |
| | 002_223 | Gap Point Screw T25 - 5x80 | 4 |
| Other | 005_03x | Ladder Rung Y/B/G/R | 3 |
| | 005_522 | Connection Bracket Mini Market | 2 |
| | 022_835 | Rung Cap | 6 |
| | 120_102 | Handgrip set (2x Complete) | 1 |
| Wood | C74 | Beam 740 mm | 1 |
| | C130 | Beam 1300 mm | 2 |

Ladder - P02 125 - 27-9-2021 - v4

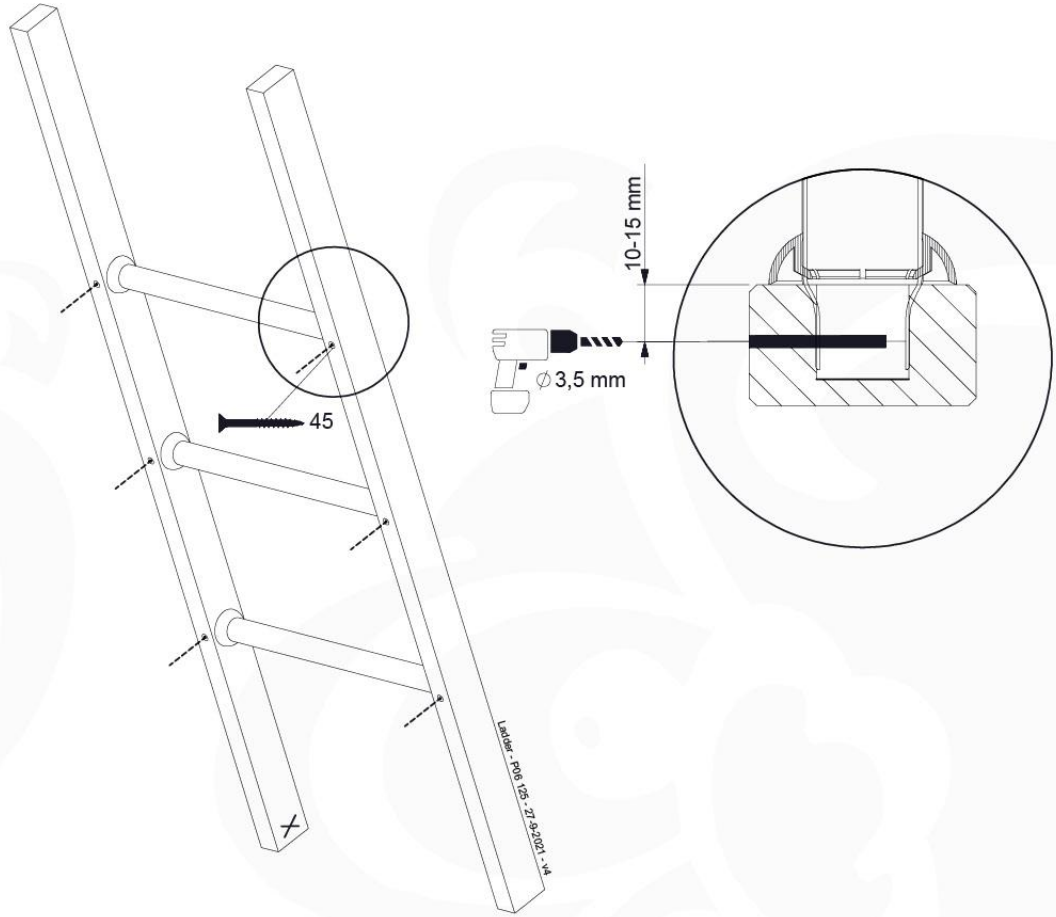


14-1

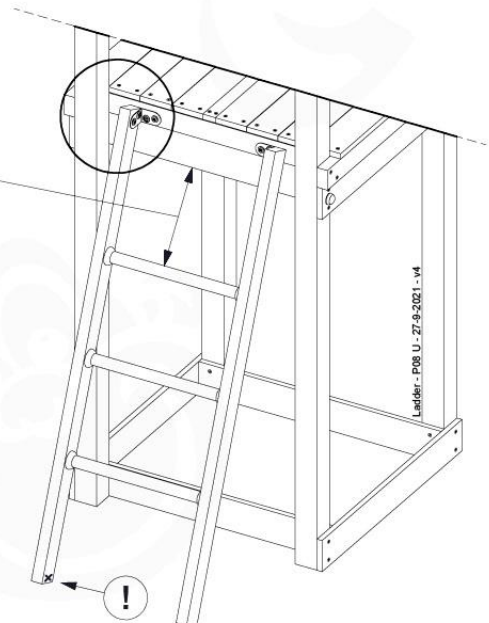
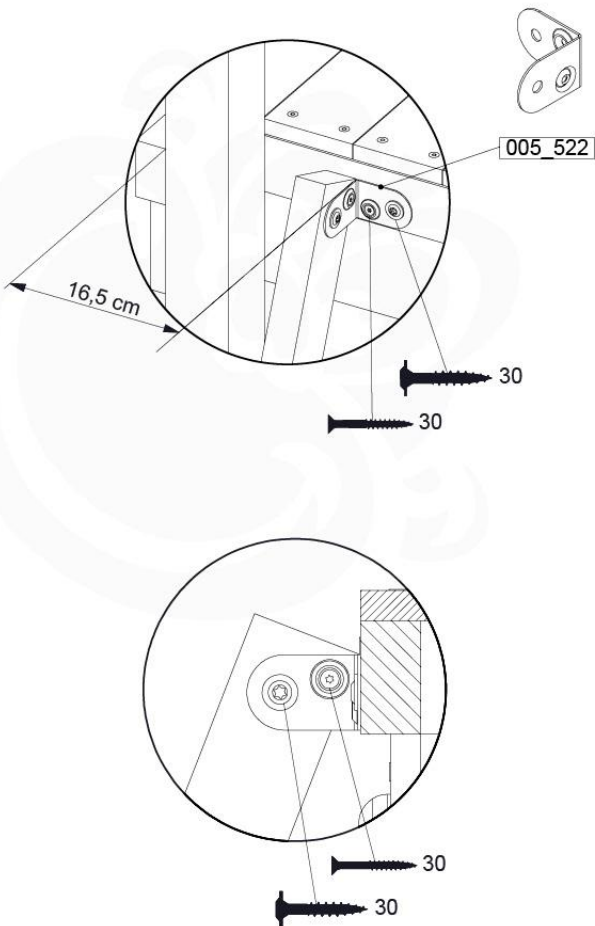


Ladder - P04 125 - 27-9-2021 - v4

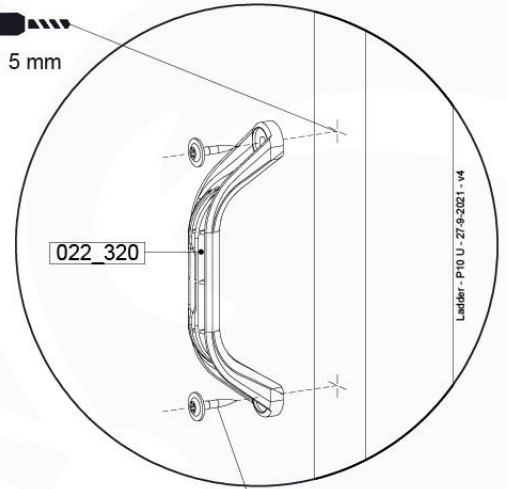
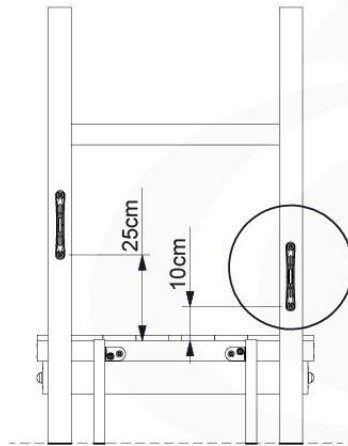
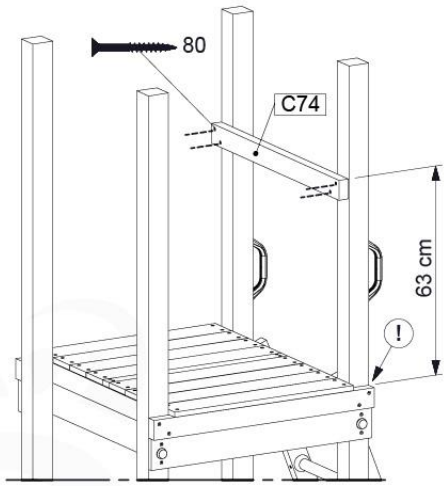
14-2



14-3



14-4



Original Product At Jungle Gym

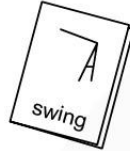
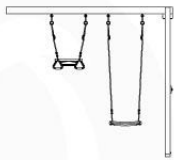
15 Swing Frame / Climb Frame



16



+

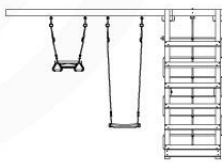


16

1-Swing frame / 2-Swing frame
457_101
457_102



+



16

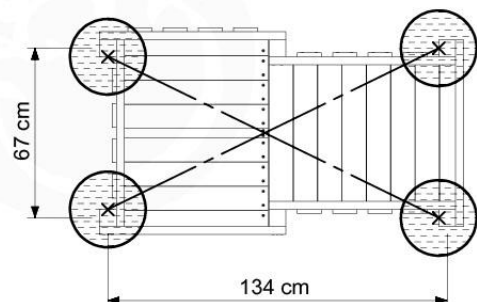
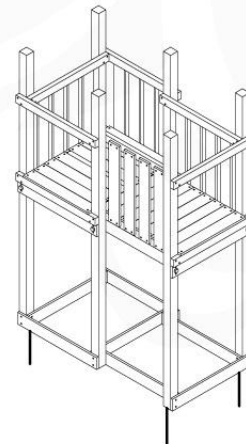
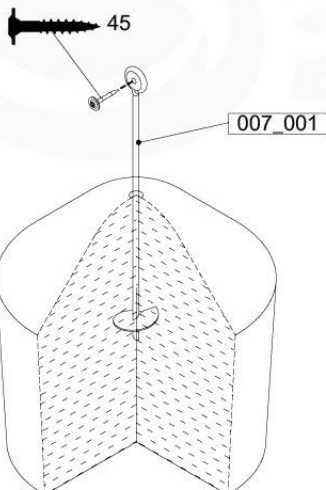
1-Climb frame / 2-Climb frame
457_105
457_106

16 Ground Anchors

GA02

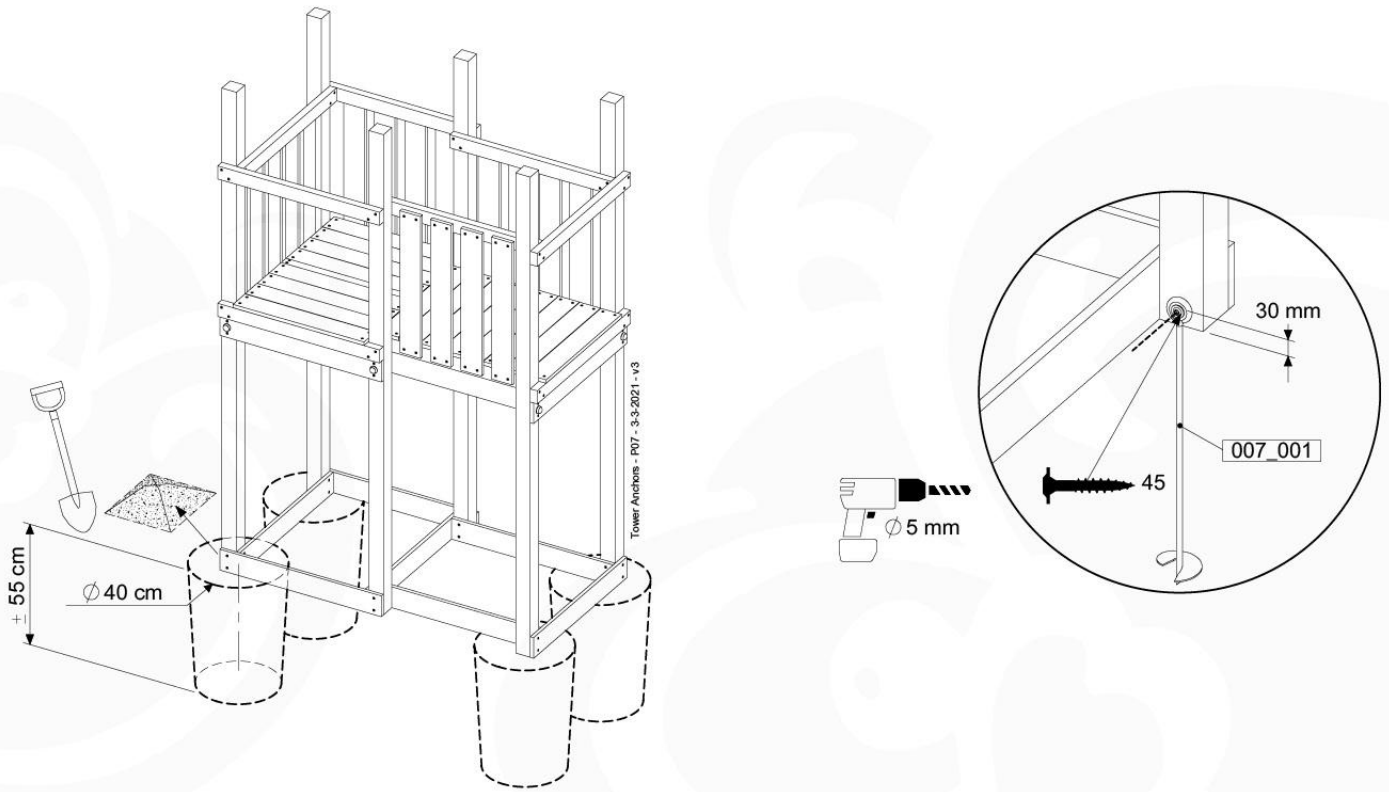
Parts:

Assembly Package Tower
194_100

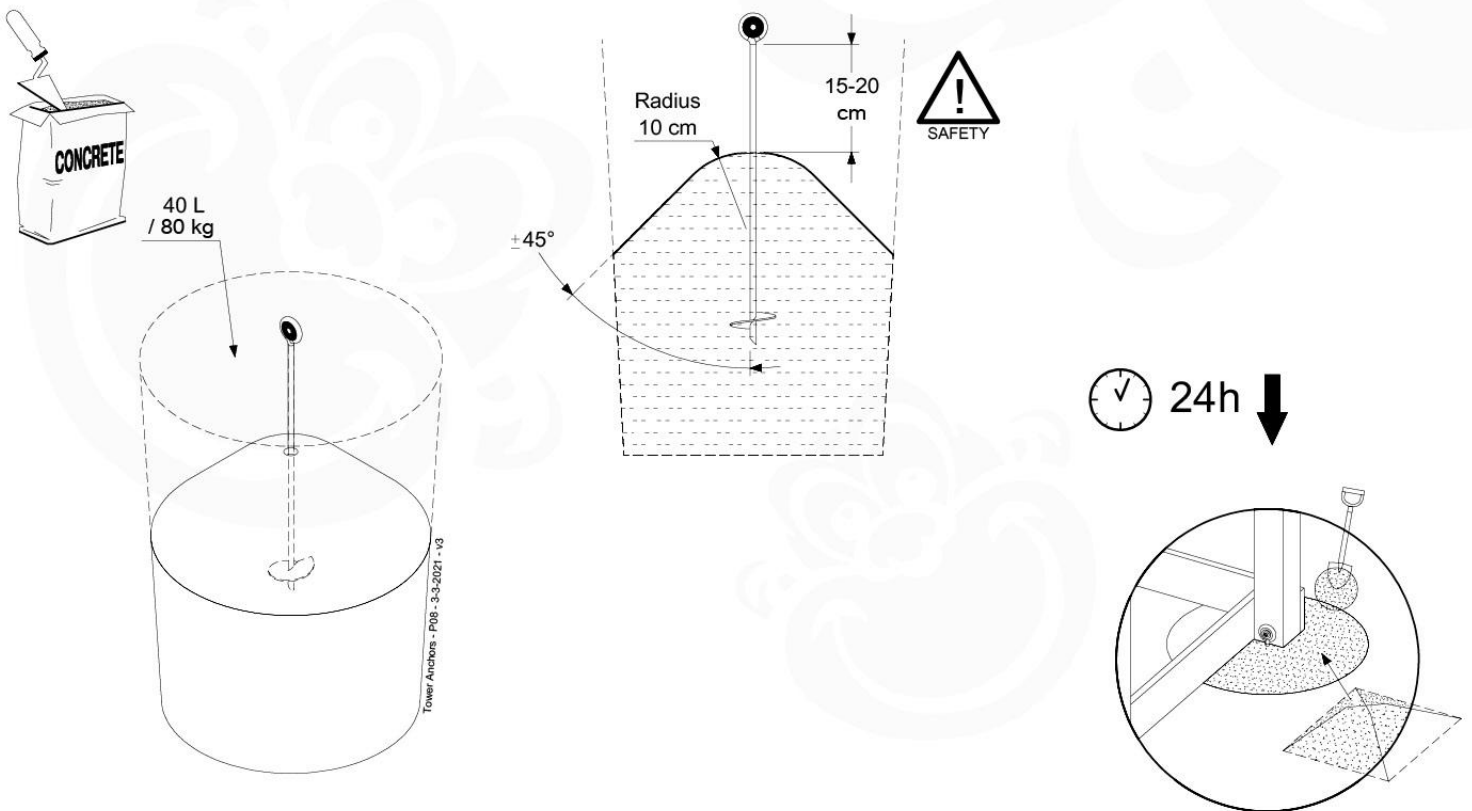


Tower Anchors - F03 - 3-3-2021 - v3

16-1



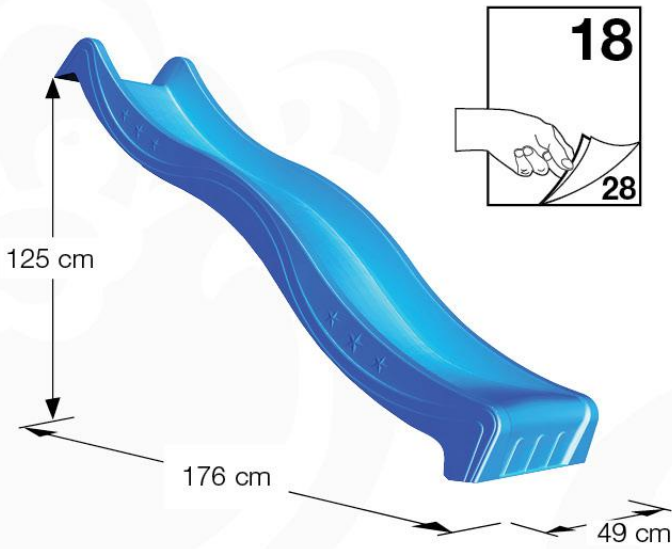
16-2



17 Add-on

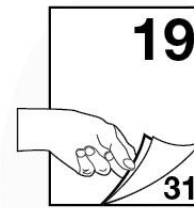
Wavy Star Slide XL

- 324_100 Yellow
- 324_200 Blue
- 324_300 Green
- 324_400 Red
- 324_500 Fuchsia
- 324_600 Dark Green



Fireman's Pole

201_275



18 Slide Set

SL02

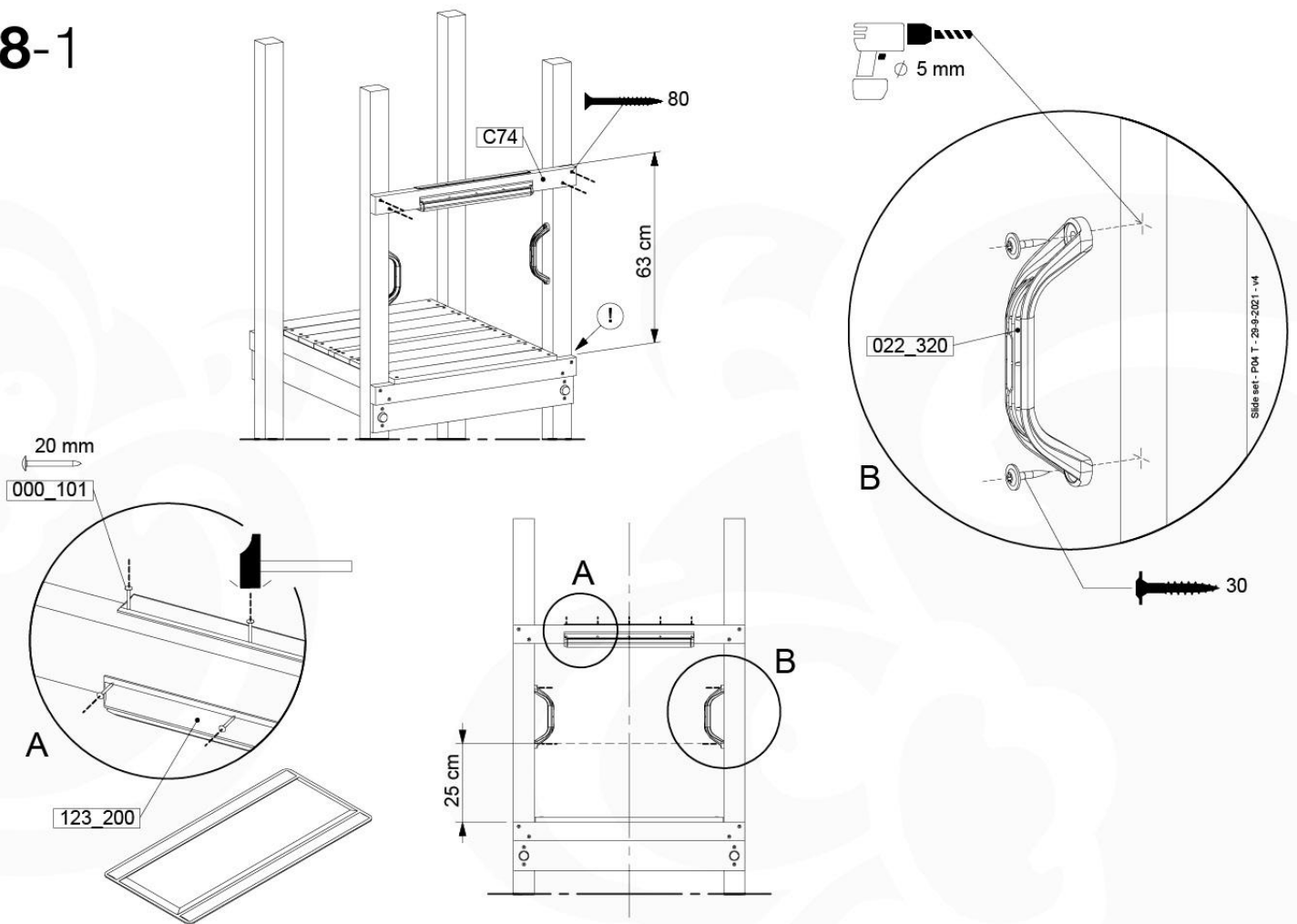
(194_107)

| | PartNo | PartName | QTY. |
|--------------------------|--------------------|--|------|
| Hardware Pack 100_605 | 000_101 | Nail Pan Head | 10 |
| | 002_223 | Gap Point Screw T25 - 5x80 | 4 |
| | 002_308 | Gap Point Screw T25 - 5x20 | 2 |
| Other | 120_102 | Handgrip set (2x Complete) | 1 |
| | 123_200 | Bumperpad | 1 |
| | 324_xxx 334_xxx | Wavy Star Slide XL 2200 mm / Wavy Star Slide XL 2650 mm | 1 |
| Timber | C74 | Beam 740 mm | 1 |

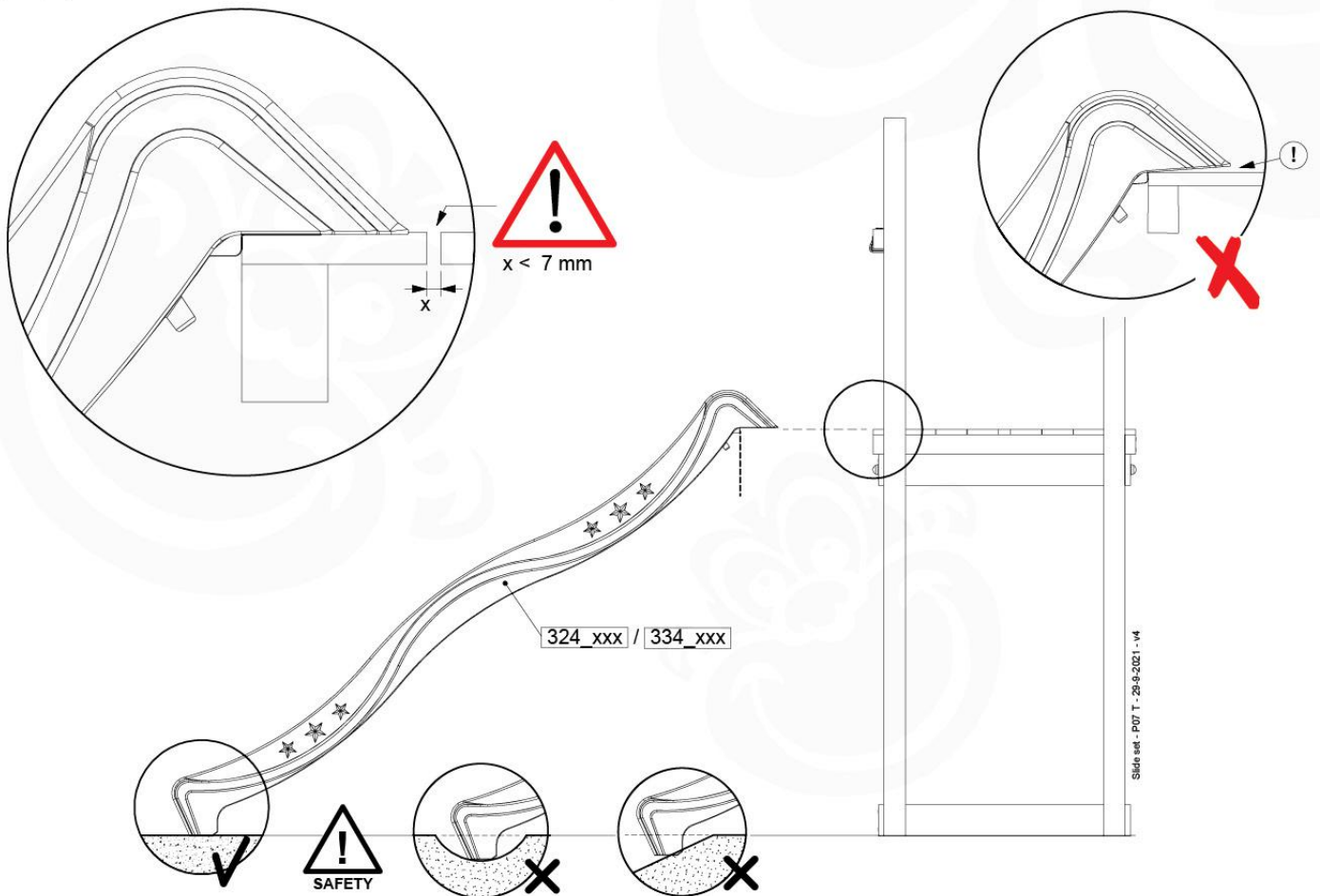
Slide set - P02 - 29-9-2021 - v4



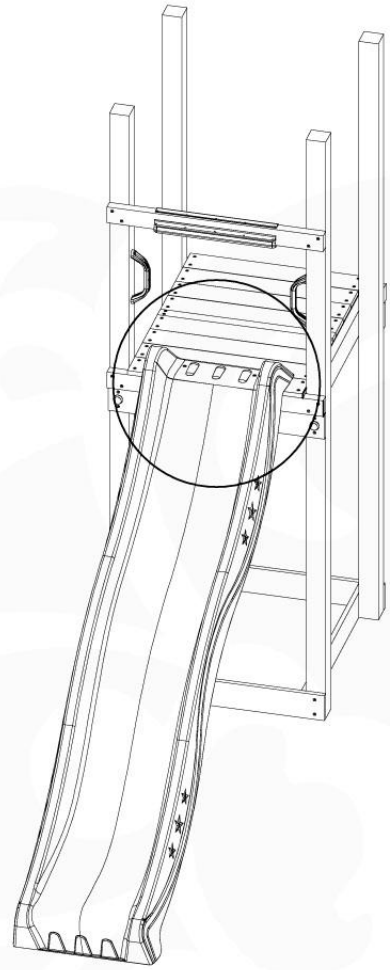
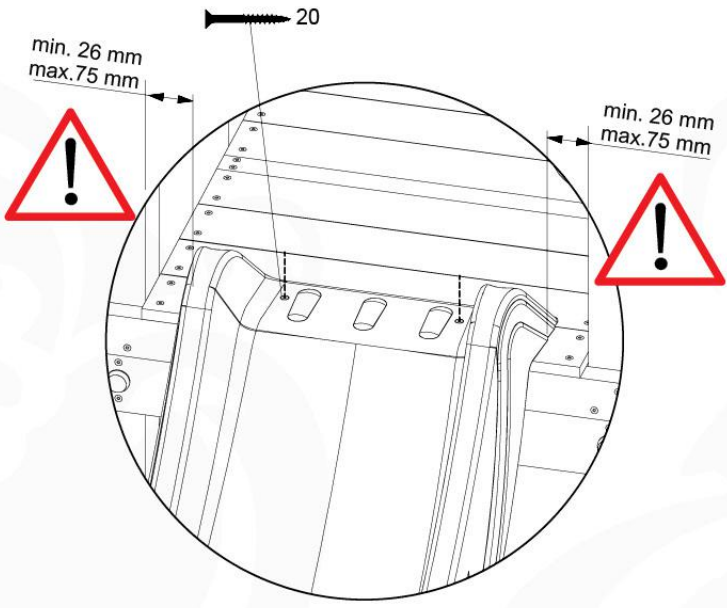
18-1



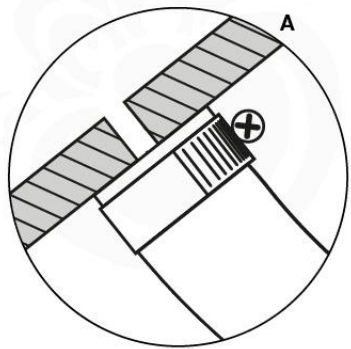
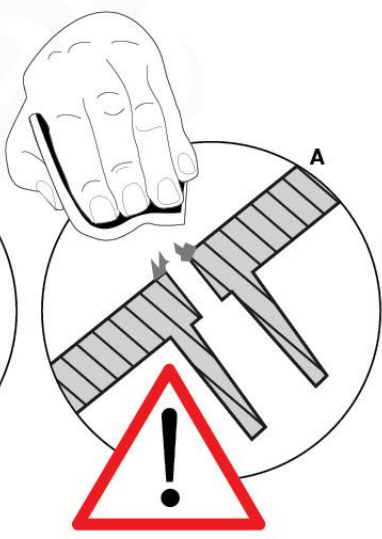
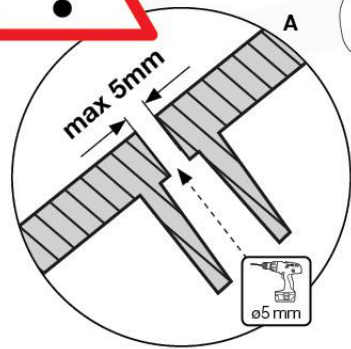
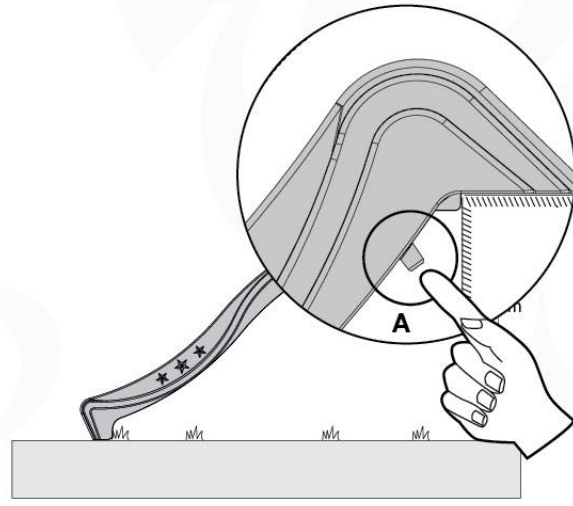
18-2



18-3



18-4



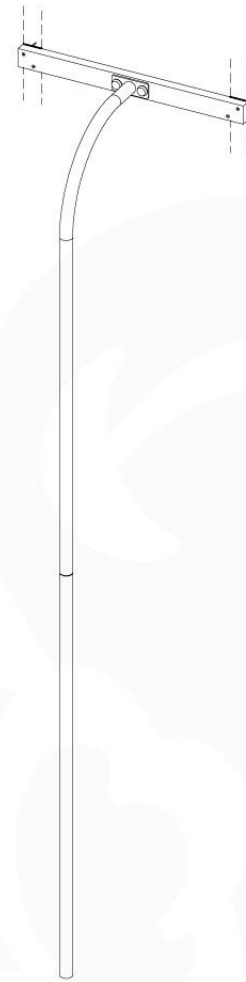
19 Firemans Pole

FP02

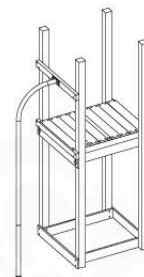
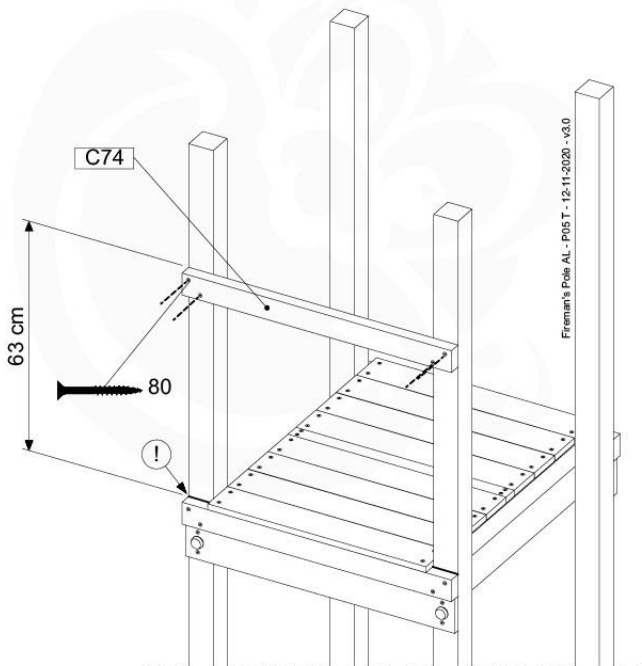
(201_275)

| | PartNo | PartName | QTY. |
|--------------------------|---------|----------------------------|------|
| Hardware Pack 100_346 | 001_103 | M8 Washer Head Screw 40mm | 2 |
| | 002_223 | Gap Point Screw T25 - 5x80 | 4 |
| | 003_010 | M8 spring lock washer | 2 |
| | 003_040 | M8 Washer | 2 |
| | 004_052 | M8 Drive-in Nut 30mm | 2 |
| | 004_054 | M8 Drive-in Nut 45mm | 2 |
| | 022_31x | bpc-base version 3 | 2 |
| | 022_84x | bpc cover | 2 |
| Other | 102_915 | Fireman's Pole | 1 |
| Timber | C74 | Beam 740 mm | 1 |

Fireman's Pole AL - P03 T - 12-11-2020 - v3.0



19-1



Fireman's Pole (201_275)
040_335 Part 2

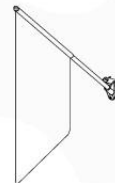
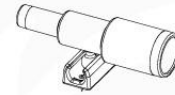
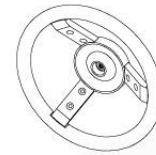
20 Accessories

AC01

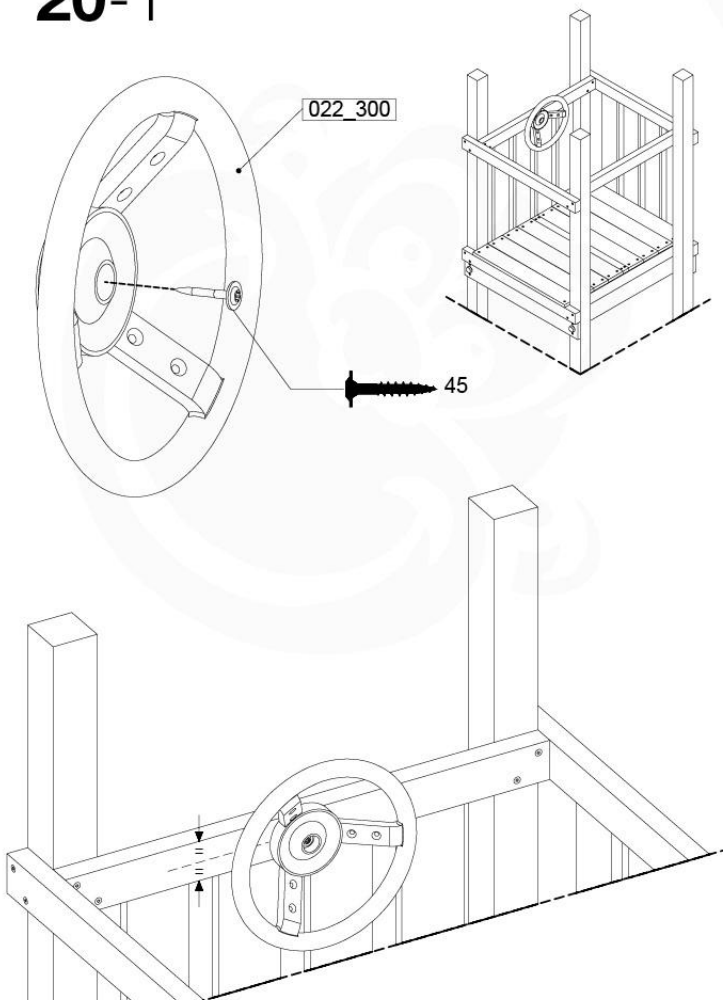
(194_119)

| | PartNo | PartName | QTY. |
|--------------------------|---------|-----------------------------|------|
| Hardware Pack 100_617 | 001_406 | Stealth Screw 8x45 | 1 |
| | 002_041 | Dome head screw 4.5 x 20 mm | 3 |
| | 002_042 | Dome head screw 3.5 x 13mm | 4 |
| | 002_219 | Gap Point Screw T25 - 5x30 | 2 |
| Other | 022_300 | Steering Wheel | 1 |
| | 022_800 | Rail P/T 105 | 1 |
| | 022_910 | Sandpad | 1 |
| | 103_901 | Logo ID Plate | 1 |
| | 104_107 | Tool Set Climbing Units | 1 |
| | 120_024 | Tower Flag | 1 |
| | 122_302 | Telescope | 1 |

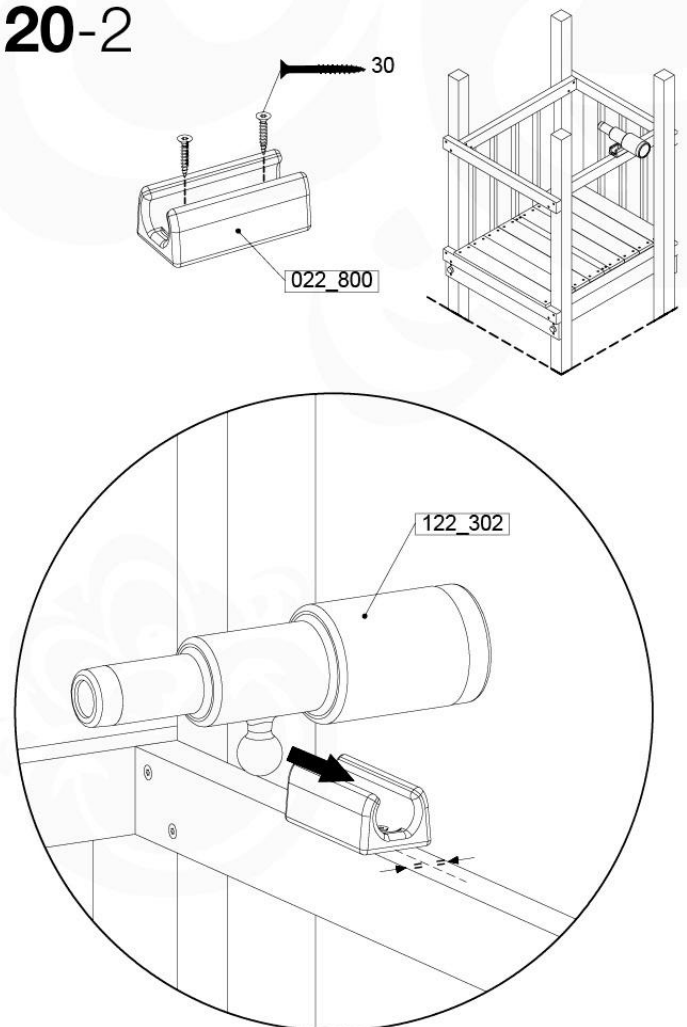
Accessory set - P02 - 28-9-2021 - 14



20-1

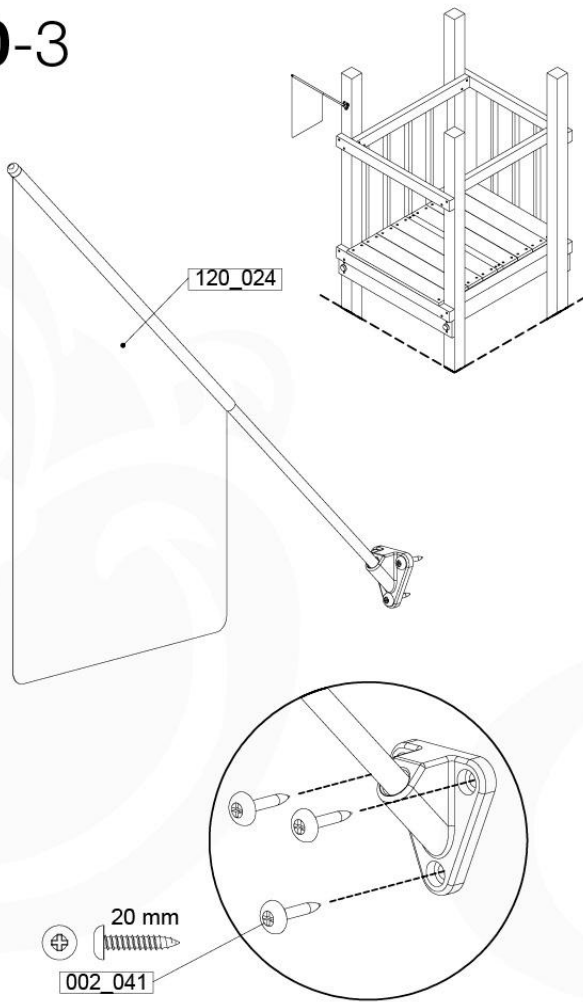


20-2

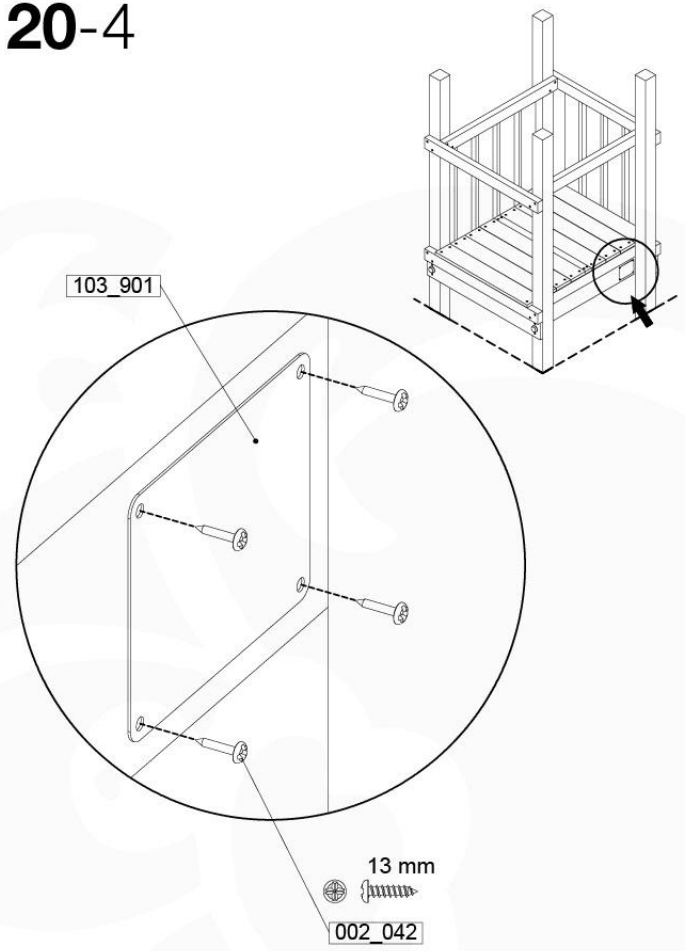


Accessory set - P03 - 28-9-2021 - 14

20-3



20-4



Accessories set - P04 - 29-9-2021 - v4

20-5

1x
022_910

