

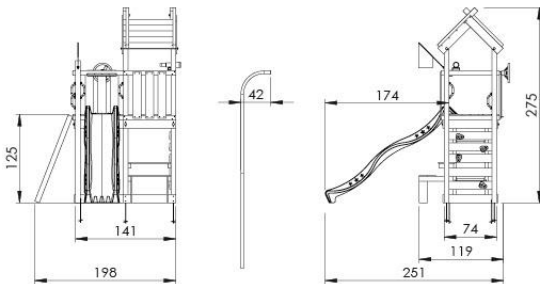
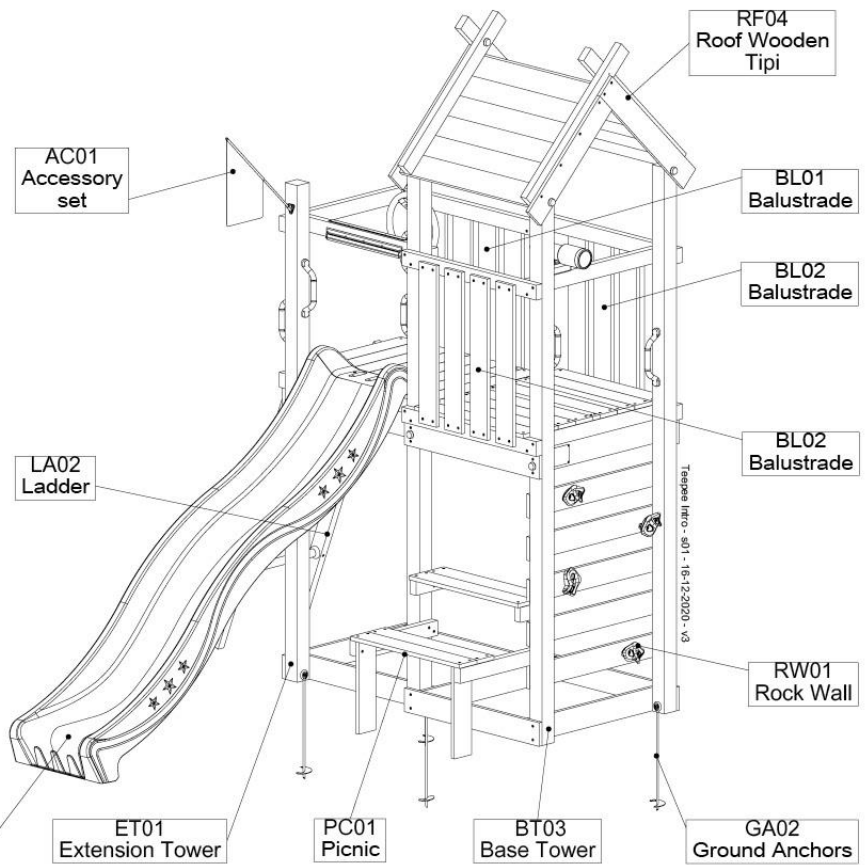
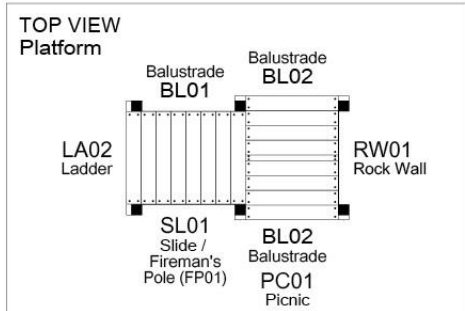
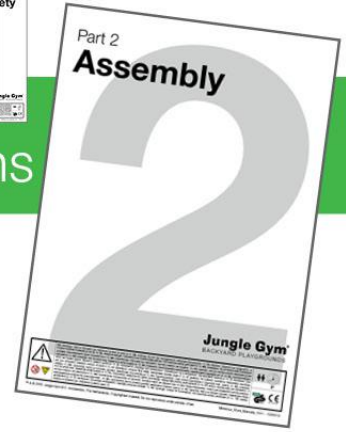
Part 2

Assembly

Instructions

Jungle Teepee

803_208



Jungle Gym

BACKYARD PLAYGROUNDS

since 1988



EN. Warnings. Only for domestic use. Maximum number of users is 6. **DE.** Achtung. Nur für den Hausgebrauch. Maximale Benutzerzahl: 6. **FR.** Attention. Réserve à un usage familial. Le nombre maximal d'utilisateurs est de 6. **NL.** Waarschuwingen. Uitsluitend voor huishoudelijk gebruik. Het maximale aantal gebruikers is 6. **BG.** Внимание. За употреба само в домашни условия. Максималният брой потребители е 6. **CS.** Varování. Jen pro domácí použití. Maximální počet uživatelů je 6. **DA.** Advarsel. Kun til privat brug. Maksimum antal brugere er 6. **EL.** Προειδοποίηση. Μόνο για οικιακή χρήση. Μέγιστος αριθμός χρηστών 6. **ES.** Advertencias. Solo para uso doméstico. Número máximo de usuarios: 6. **ET.** Hoiatused. Ainult koduseks kasutamiseks. Maksimaalne kasutajate arv on 6. **FI.** Varoitukset. Ainoastaan kotikäyttöön. Käyttäjää yhteensä enintään 6. **HR.** Upozorenja. Samo za kućansku uporabu. Maksimalan broj korisnika je 6. **HU.** Figyelmeztetések. Csak otthoni használatra! A használók max. száma: 6. **IS.** Varnaðarorð. Engöngu fyrir einkanothun í heimahúsum og á einkalóðum. Hámarksfjöldi notenda er 6. **IT.** Avvertenze. Solo per uso domestico. Massimo numero di utenti è 6. **LT.** Įspėjimai. Tik buitnam naudojimui. Maksimalus naudotojų skaičius 6. **LV.** Brīdinājumi. Izmantoj tikai mājās. Maksimālais lietotāju skaits ir 6. **NO.** Advarsel. Kun for privat bruk. Maksimalt antall brukere er 6. **PL.** Ostrzeżenia. Wyłącznie do użytku domowego. Maksymalna liczba użytkowników to 6. **PT.** Avisos. Apenas para uso doméstico. O número máximo de utilizadores é 6. **RO.** Avertismente. Numai pentru uz domestic. Numărul maxim de utilizatori este 6. **RU.** Предостережения. Только для домашнего использования. Максимальное количество пользователей - 6. **SK.** Upozornenia. Iba na domáce použitie. Maximálne množstvo osôb je 6. **SL.** Opozorila. Samo za domačo uporabo. Maksimalno število uporabnikov je 6. **SR.** Upozorenja. Samo za kućnu upotrebu. Maksimalan broj korisnika je 6. **SV.** Varningar. Endast för hemmabruk. Det maximala antalet användare är 6. **TR.** Uyarılar. Sadece ev kullanımı için. Maksimum kullanıcı sayısı 6.



01 What's in the Delivery?

403_208 + 324_xxx/201_275

| | | | | |
|----------------------------------|----------------------------------|----------------------------------|-------------------|---|
| <p>1x 040_805 1x 040_078</p> | <p>1x 022_300</p> | <p>1x 120_024</p> | <p>4x 007_001</p> | <p>3x 120_102 6x 022_320 12x 001_104</p> |
| <p>4x 022_5xx</p> | <p>1x 122_302 1x 022_800</p> | <p>3x 005_03x 6x 022_835</p> | <p>1x 123_200</p> | <p>1x 100_605 100_608 100_617 100_615 100_903 100_904 2x 100_600 3x 100_601</p> |
| <p>1x 104_107</p> | <p>2x 005_522</p> | <p>1x 022_910</p> | <p>1x 103_901</p> | <p>1x 201_275 1x 324_x00</p> <p>FMP / Slide</p> |

03 Hardware

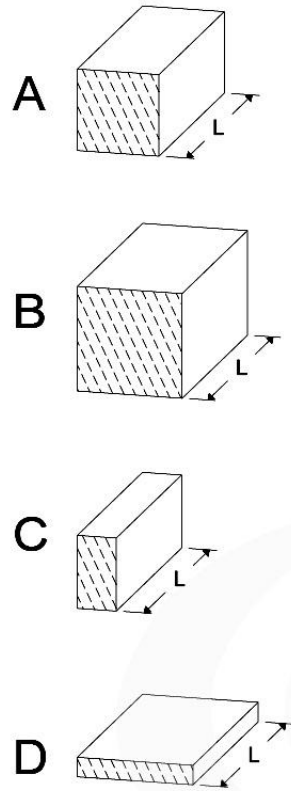
Total HWP 100_xxx Jungle Teepee

20210930

| | | | | | | | |
|---------|------|--|-------------|---------|-----|--|-----------|
| 001_102 | 10x | | M8 x 30mm | 000_101 | 10x | | ø2 x 20mm |
| 001_417 | 2x | | ø8 x 80mm | 003_010 | 10x | | M8x14.2mm |
| 001_411 | 6x | | ø8 x 60mm | 004_050 | 10x | | M8 x 22mm |
| 001_406 | 13x | | ø8 x 45mm | 120_005 | 14x | | M8 |
| 001_404 | 4x | | ø8 x 30mm | | | | |
| 002_223 | 70x | | ø5 x 80mm | | | | |
| 002_220 | 324x | | ø5 x 45mm | | | | |
| 002_219 | 6x | | ø5 x 30mm | | | | |
| 002_308 | 2x | | ø5.0 x 20mm | | | | |
| 002_041 | 3x | | ø4.5 x 20mm | | | | |
| 002_042 | 4x | | ø3.5 x 13mm | | | | |

02 Timber

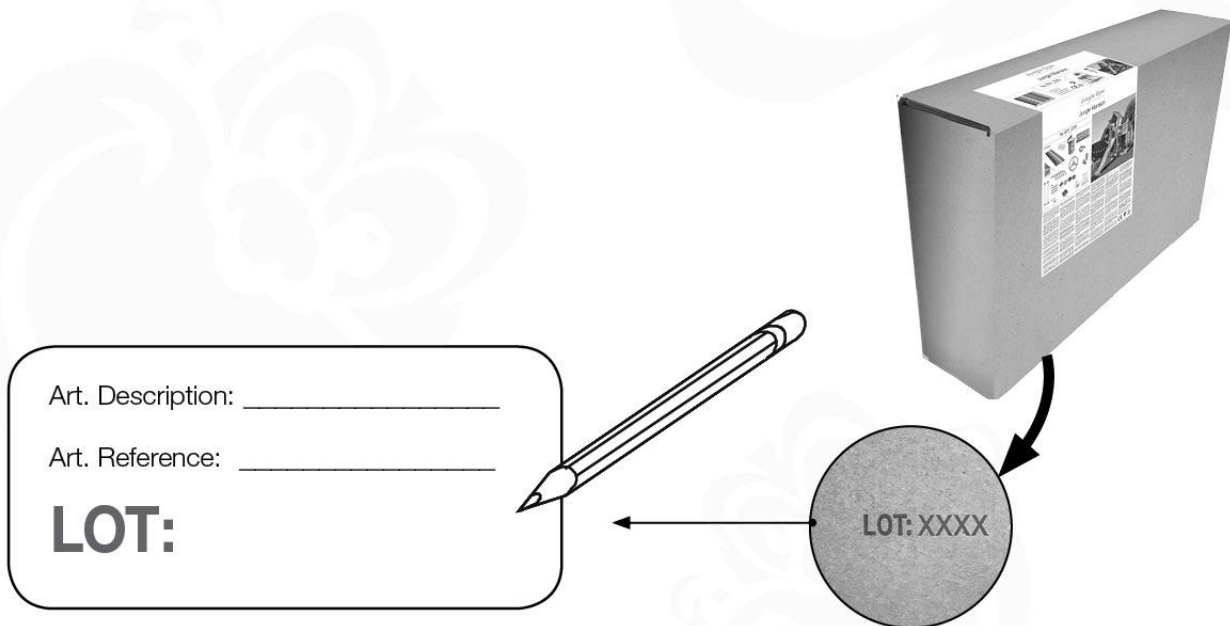
603_208 Jungle Teepee



| | L | |
|--------------------------|--|-----------------------------|
| A220 A200 | 219cm - 220cm 199cm - 200cm | 4 x 2 x |
| - | - | - |
| C130 C74 C62 | 129cm - 130cm 73cm - 74cm 61cm - 62cm | 2 x 17 x 2 x |
| D74 D65 D60 D56 | 73cm - 74cm 64cm - 65cm 59cm - 60cm 53cm - 56cm | 34 x 14 x 23 x 2 x |

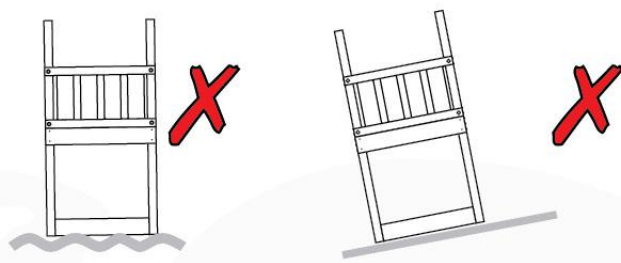
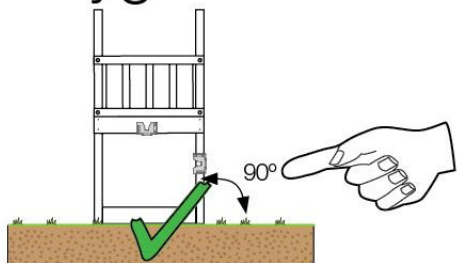
output: 01/10/21

04 Product ID

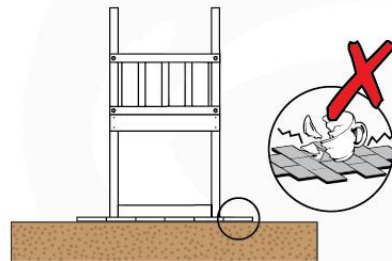
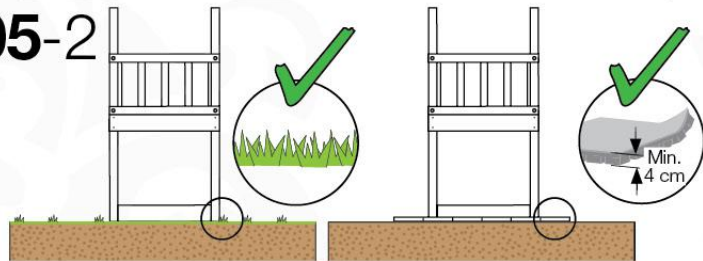


05 Safe Playground

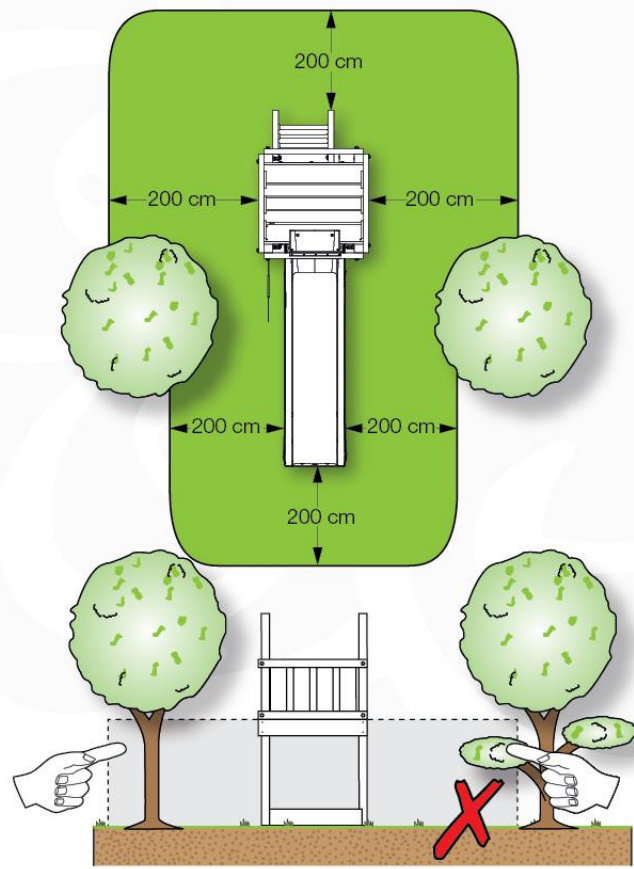
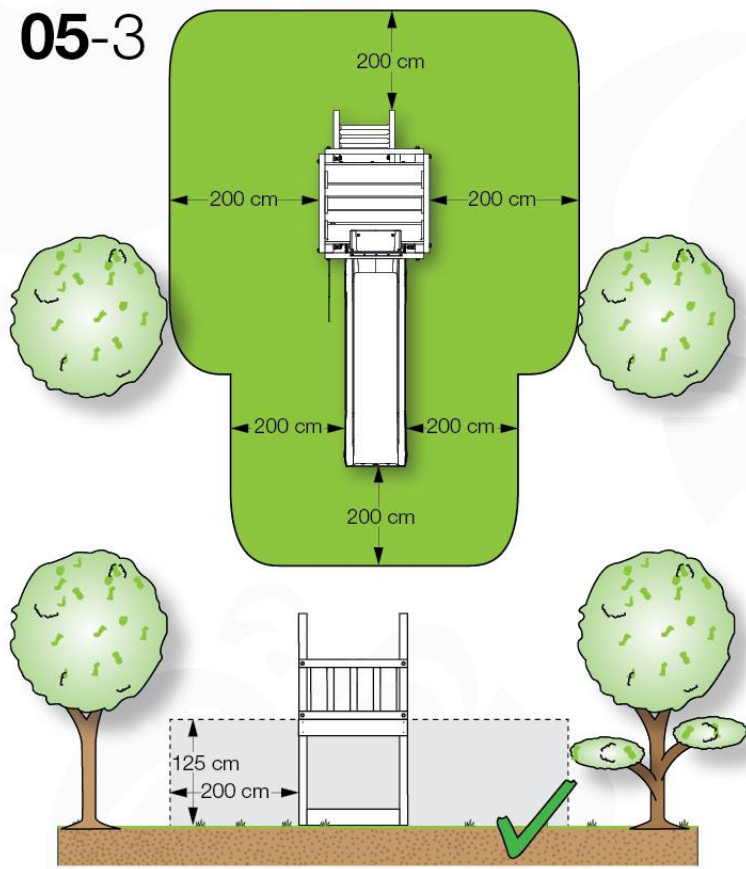
05-1



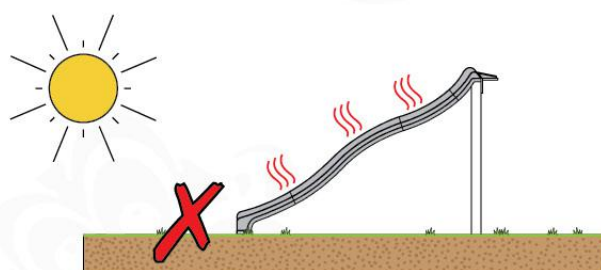
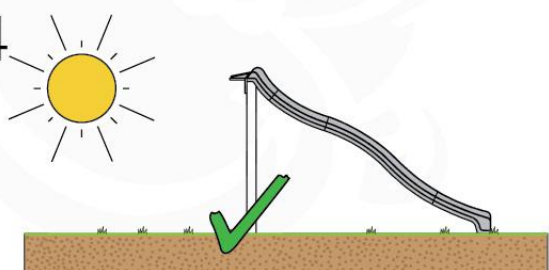
05-2



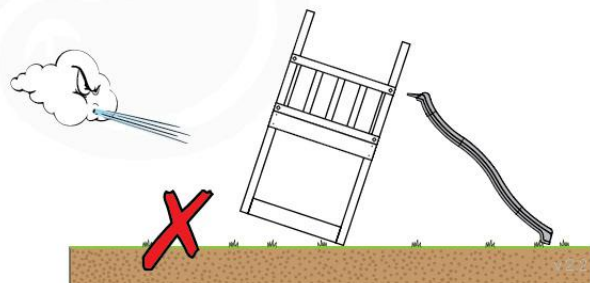
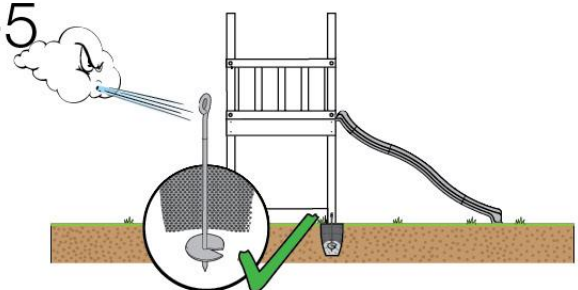
05-3



05-4



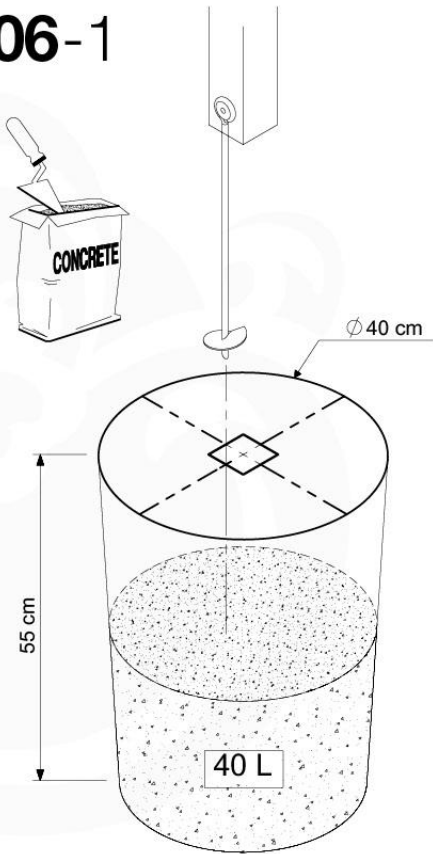
05-5



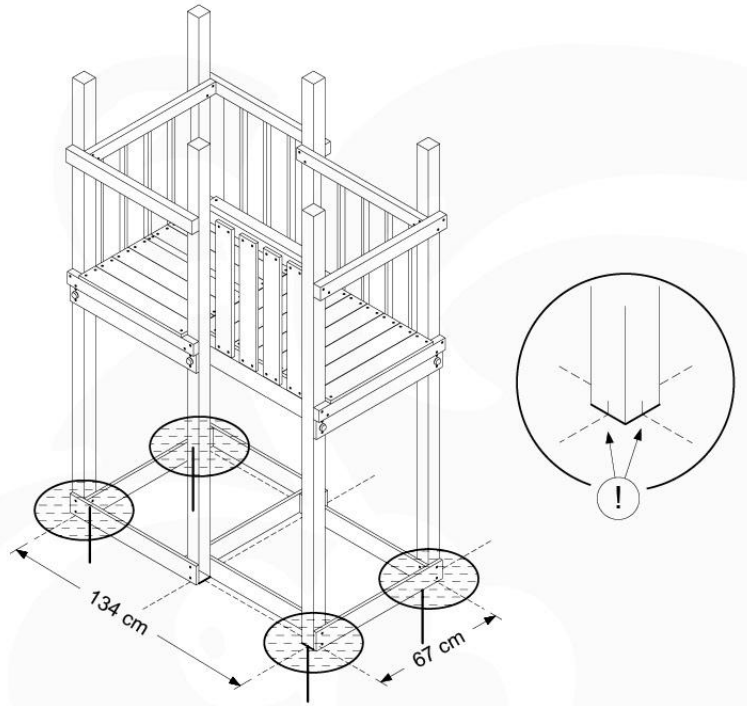
06 Playground Foundation

FD02

06-1



Foundation Plan - FIG - 2711-2020 - v8



See Foundation Plan 05

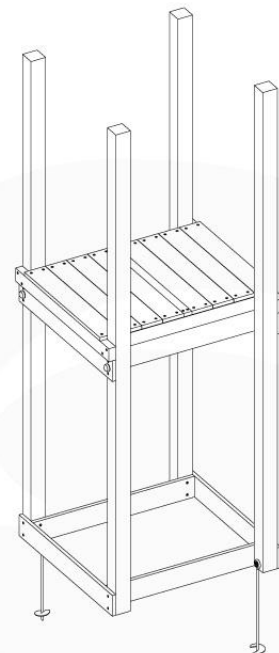
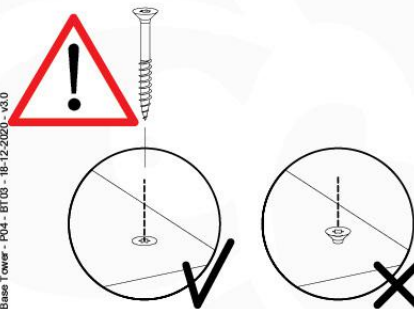
07 Base Tower

BT03

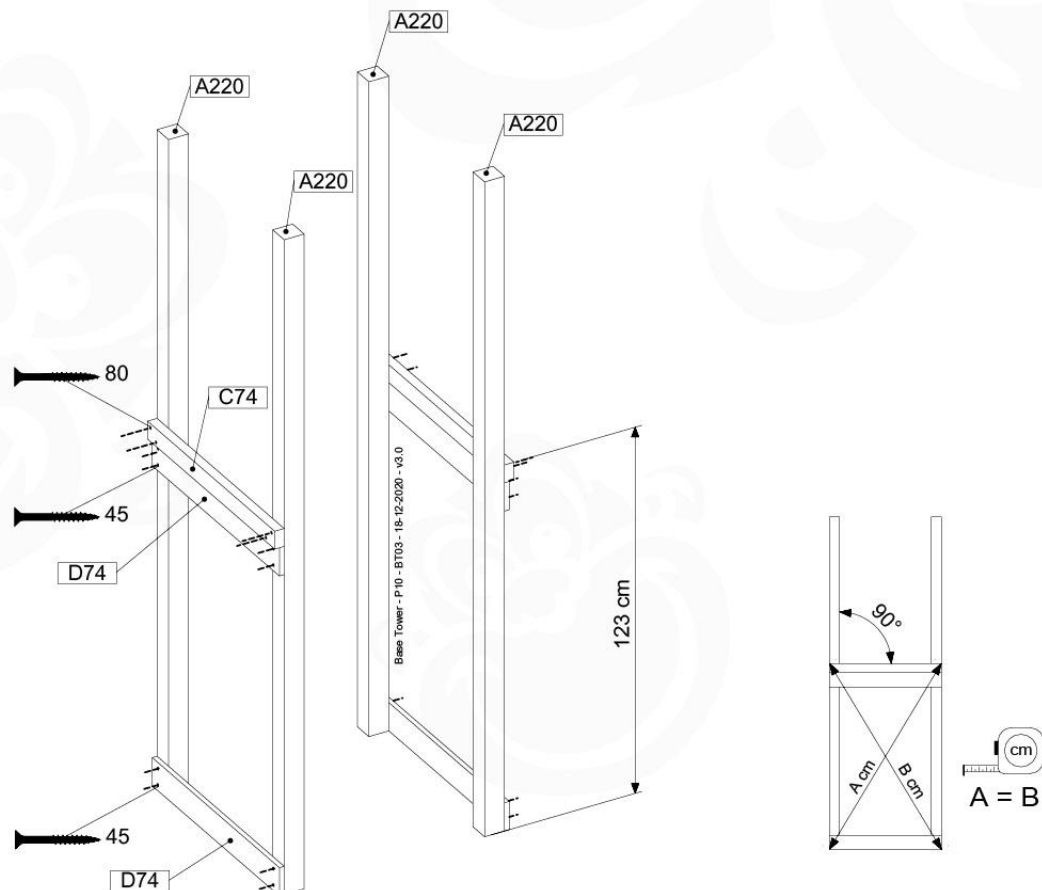
(194_100)

| | PartNo | PartName | QTY. |
|--------------------------|---------|----------------------------|------|
| Hardware Pack 100_600 | 001_406 | Stealth Screw 8x45 | 6 |
| | 002_220 | Gap Point Screw T25 - 5x45 | 72 |
| | 002_223 | Gap Point Screw T25 - 5x80 | 16 |
| Other | 007_001 | Ground-anchor | 2 |
| Hardware Pack 100_600 | 022_31x | bpc-base version 3 | 4 |
| | 022_84x | bpc cover | 4 |
| Wood | A220 | Post 70x70 L2200 | 4 |
| | C74 | Beam 740 mm | 4 |
| | D60 | Board 600 mm | 10 |
| | D74 | Board 740 mm | 8 |

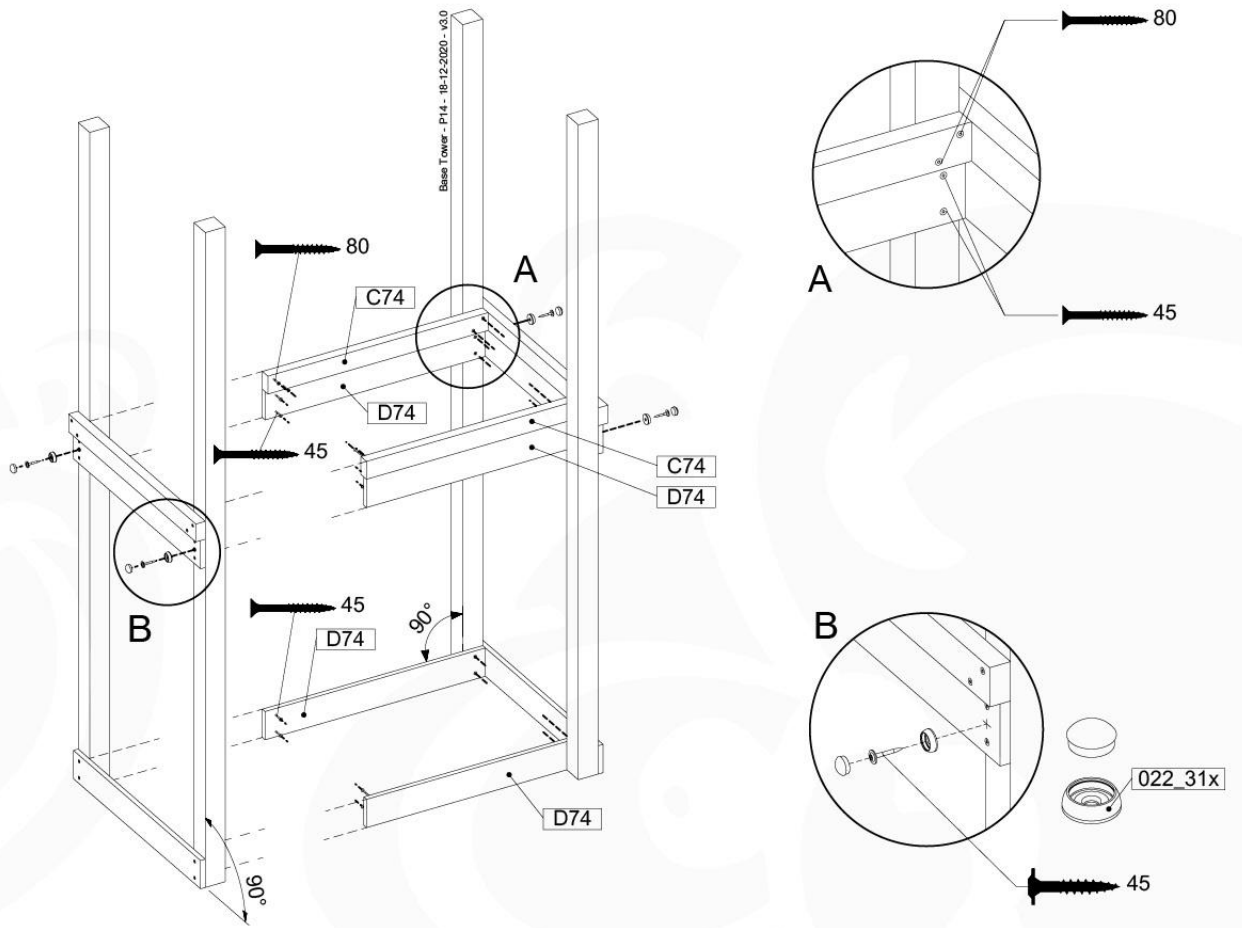
Base Tower - P04 - BT03 - 18-12-2020 - v3.0



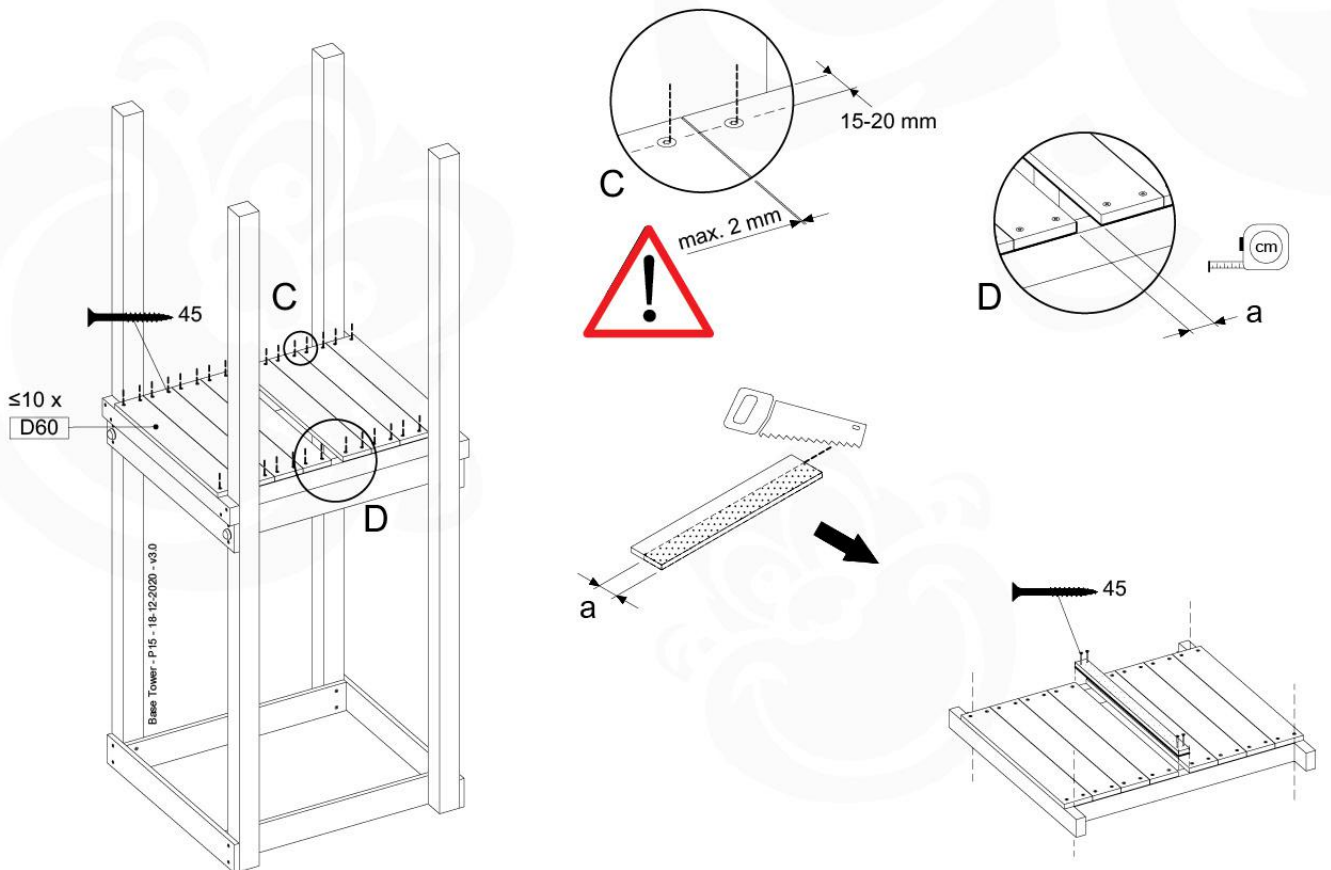
07-1



07-2



07-3



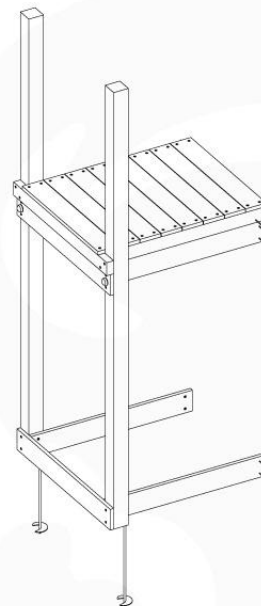
08 Extension Tower

ET01

(194_100)

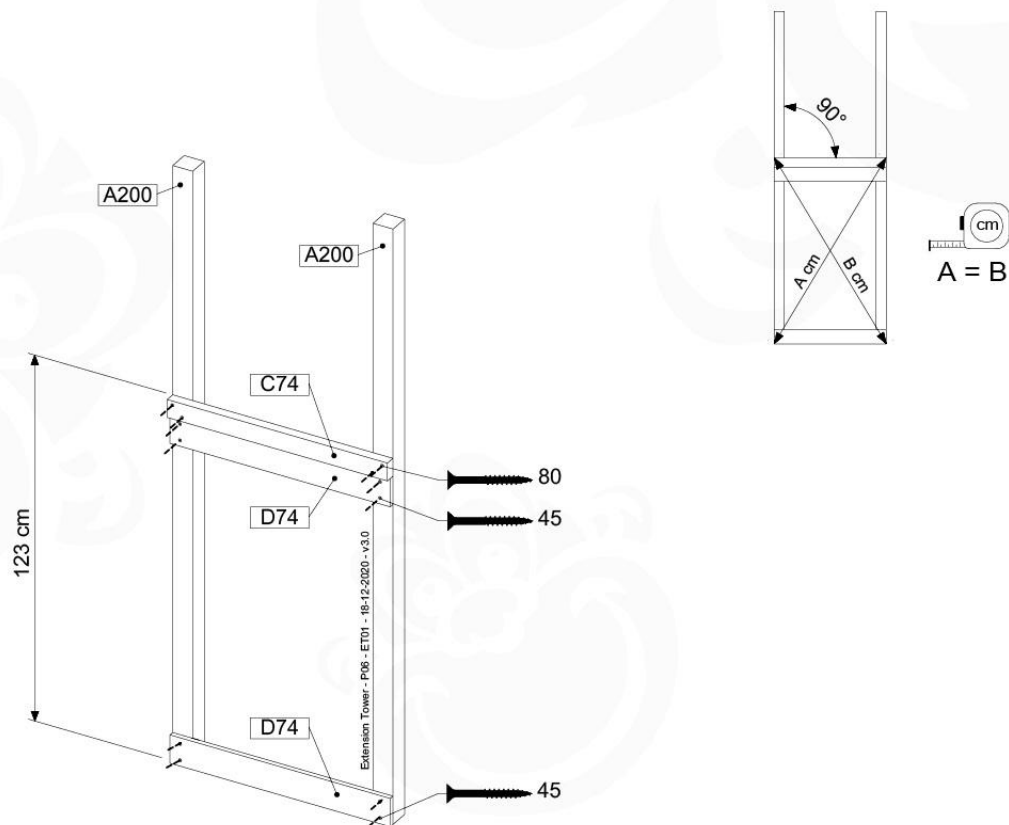
| | PartNo | PartName | QTY. |
|--------------------------|---------|----------------------------|------|
| Hardware Pack 100_600 | 001_406 | Stealth Screw 8x45 | 4 |
| | 002_220 | Gap Point Screw T25 - 5x45 | 60 |
| | 002_223 | Gap Point Screw T25 - 5x80 | 12 |
| Other | 007_001 | Ground-anchor | 2 |
| Hardware Pack 100_600 | 022_31x | bpc-base version 3 | 2 |
| | 022_84x | bpc cover | 2 |
| Wood | A200 | Post 70x70 L2000 | 2 |
| | C74 | Beam 740 mm | 3 |
| | D60 | Board 600 mm | 9 |
| | D74 | Board 740 mm | 6 |

Extension Tower - P02 - ET01 - 18-12-2020 - v3.0

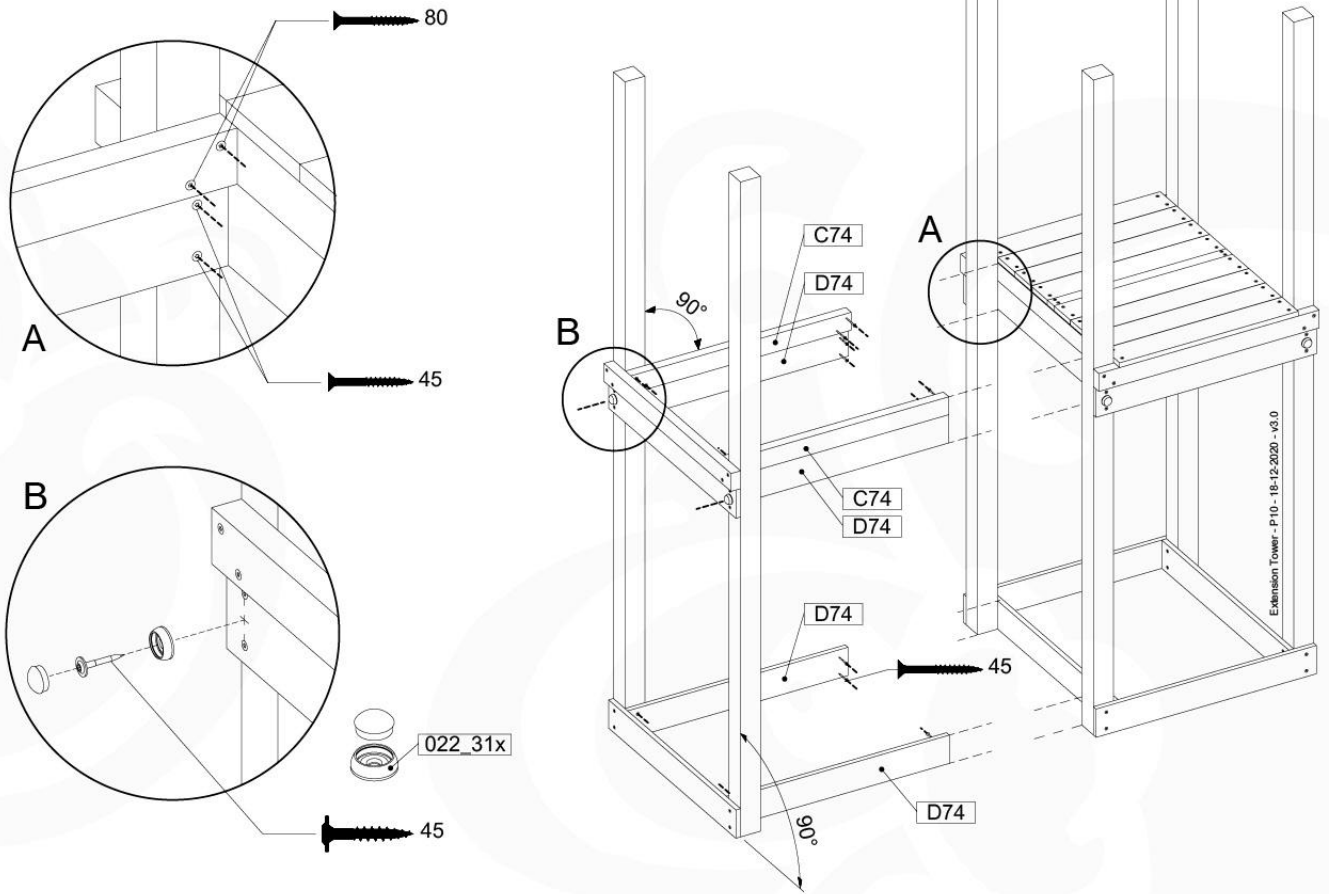


www.junglegym.com

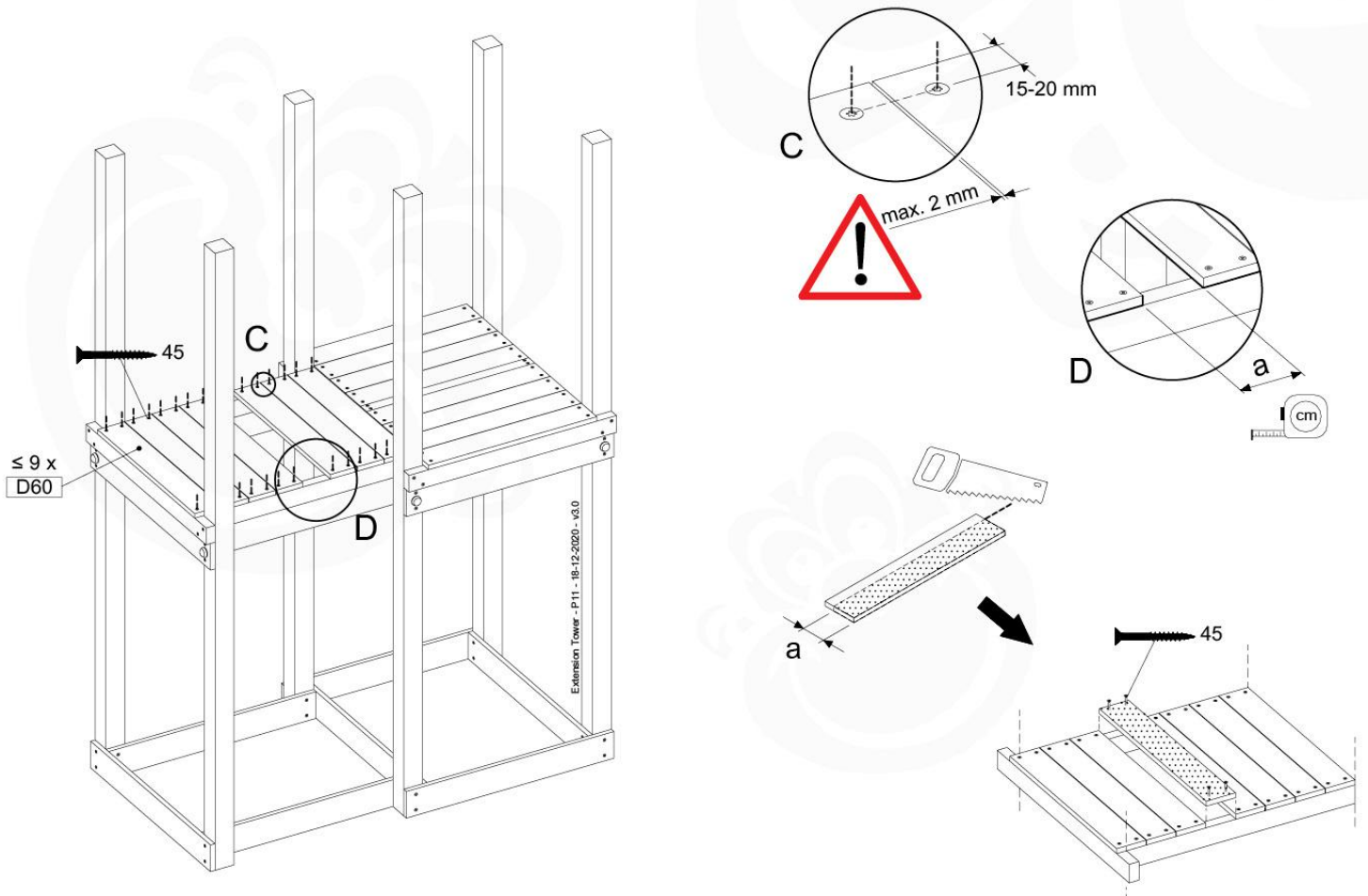
08-1



08-2



08-3



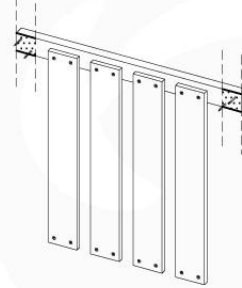
09 Balustrade (1x)

BL01

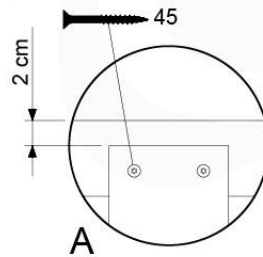
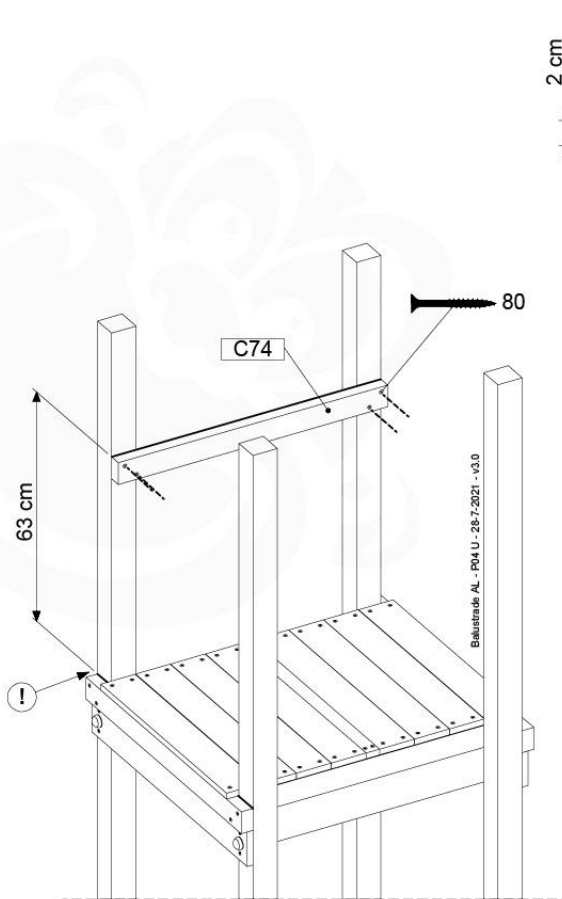
(194_101)

| | PartNo | PartName | QTY. |
|--------------------------|---------|----------------------------|------|
| Hardware Pack 100_601 | 002_220 | Gap Point Screw T25 - 5x45 | 16 |
| | 002_223 | Gap Point Screw T25 - 5x80 | 4 |
| Wood | C74 | Beam 740 mm | 1 |
| | D65 | Board 650 mm | 4 |

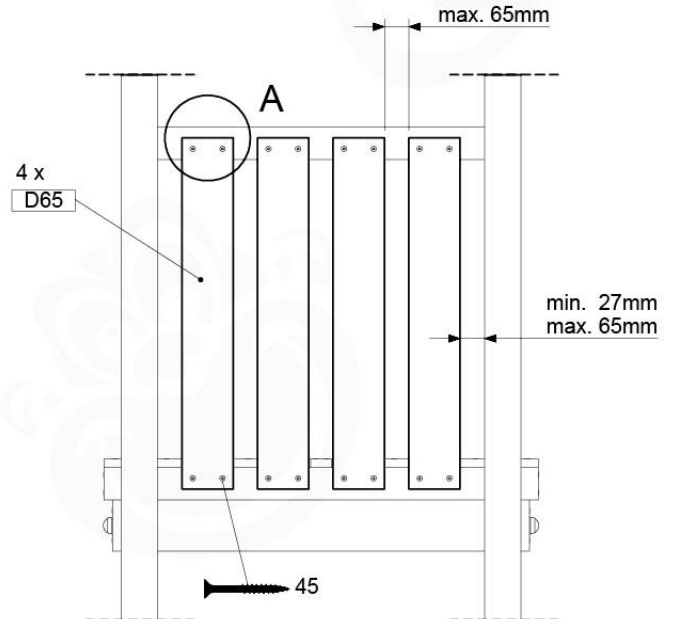
Balustrade AL - P02 U - 28-7-2021 - v3.0



09-1



min. 27mm
max. 65mm



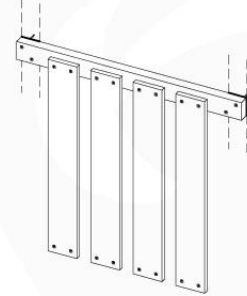
10 Balustrade (2x)

BL02

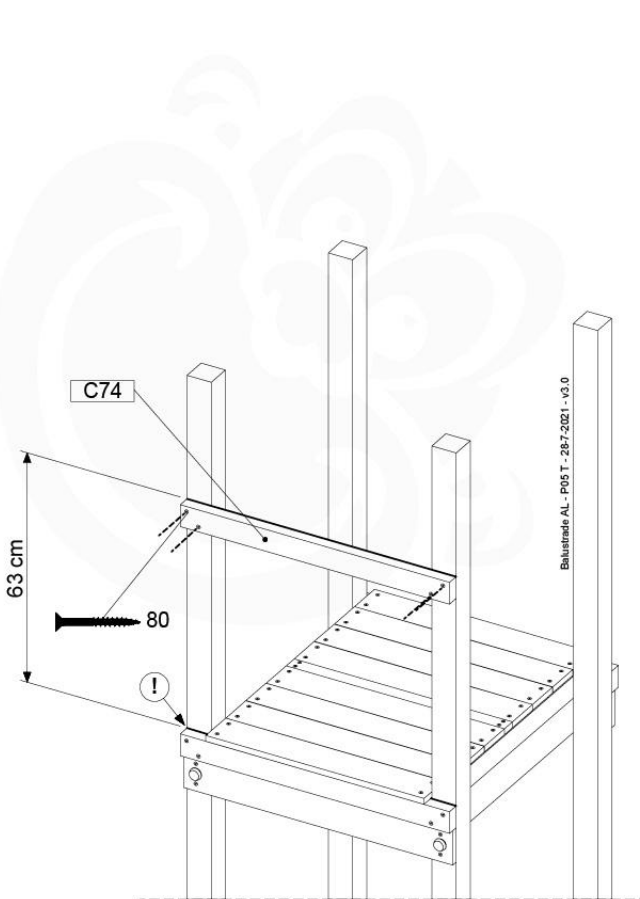
(194_101)

| | PartNo | PartName | QTY. |
|--------------------------|---------|----------------------------|------|
| Hardware Pack 100_601 | 002_220 | Gap Point Screw T25 - 5x45 | 16 |
| | 002_223 | Gap Point Screw T25 - 5x80 | 4 |
| Wood | C74 | Beam 740 mm | 1 |
| | D65 | Board 650 mm | 4 |

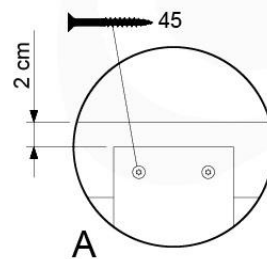
Balustrade AL - P03 T - 28-7-2021 - v3.0



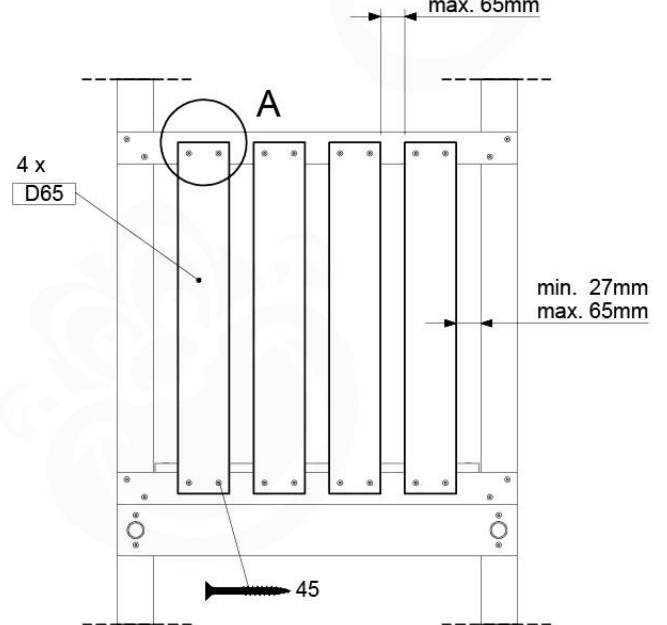
10-1



Balustrade AL - P05 T - 28-7-2021 - v3.0



min. 27mm
max. 65mm



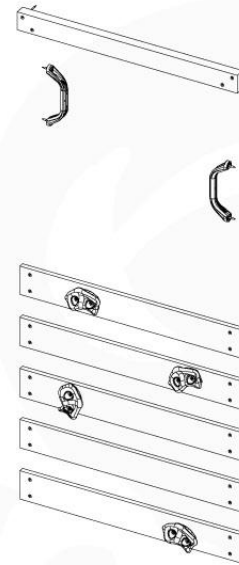
11 Rock Wall

RW01

(194_105)

| | PartNo | PartName | QTY. |
|--------------------------|---------|-----------------------------|------|
| Hardware pack 100_604 | 001_102 | Washer Head Screw T40 M8x30 | 8 |
| | 002_220 | Gap Point Screw T25 - 5x45 | 24 |
| | 002_223 | Gap Point Screw T25 - 5x80 | 4 |
| | 003_010 | M8 spring lock washer | 8 |
| | 004_050 | M8 22mm Drive in Nut | 8 |
| Other | 022_50x | Climbing Rock | 4 |
| | 120_102 | Handgrip set (2x Complete) | 1 |
| Timber | C74 | Beam 740 mm | 1 |
| | D74 | Board 740 mm | 5 |

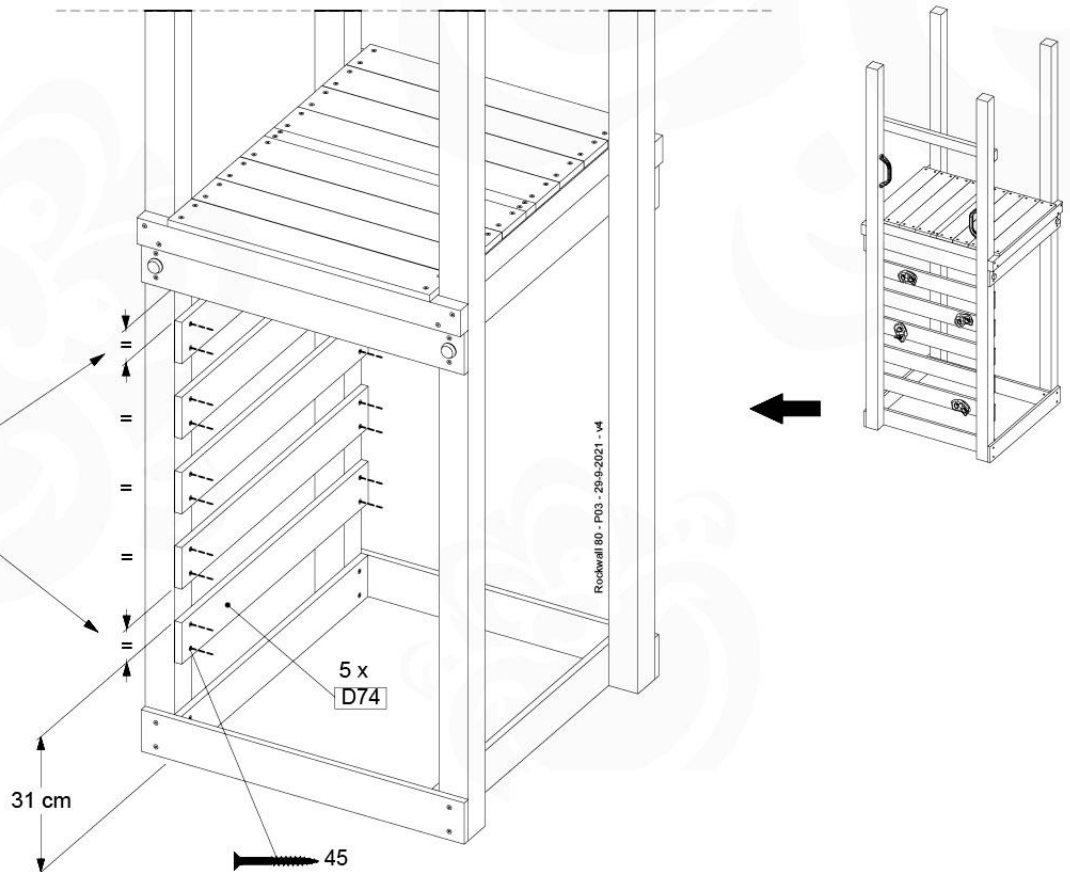
Rockwall 80 - P02 - 29-9-2021 - v4



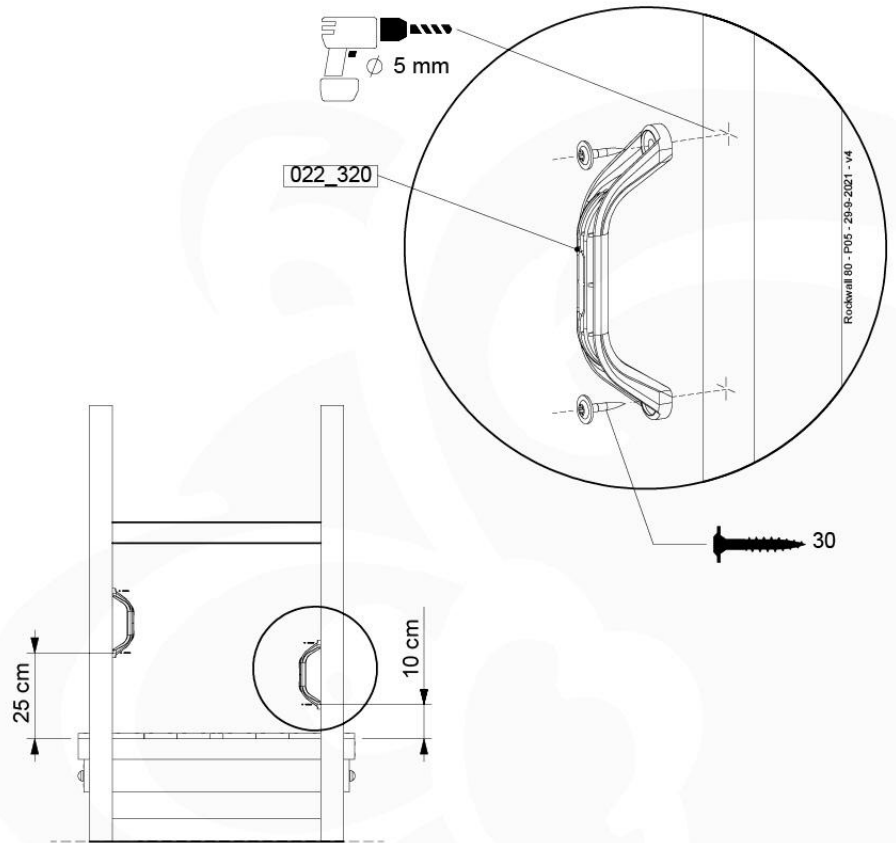
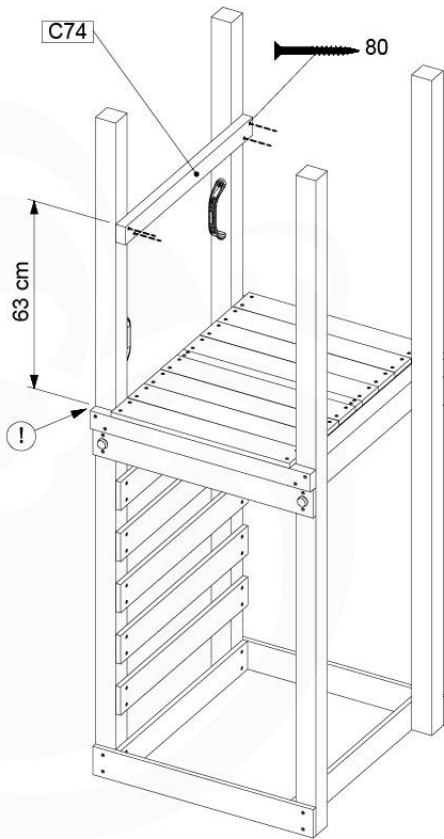
11-1



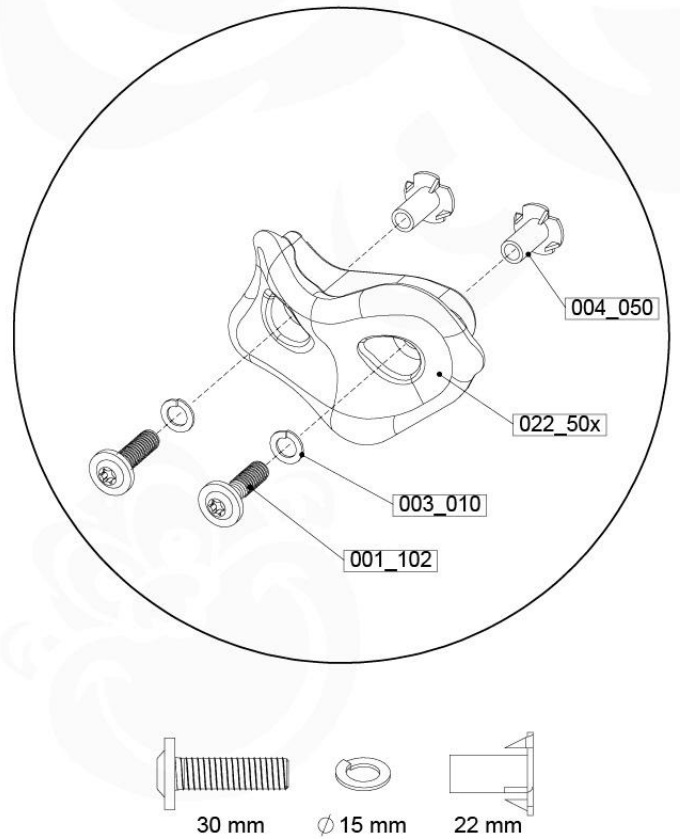
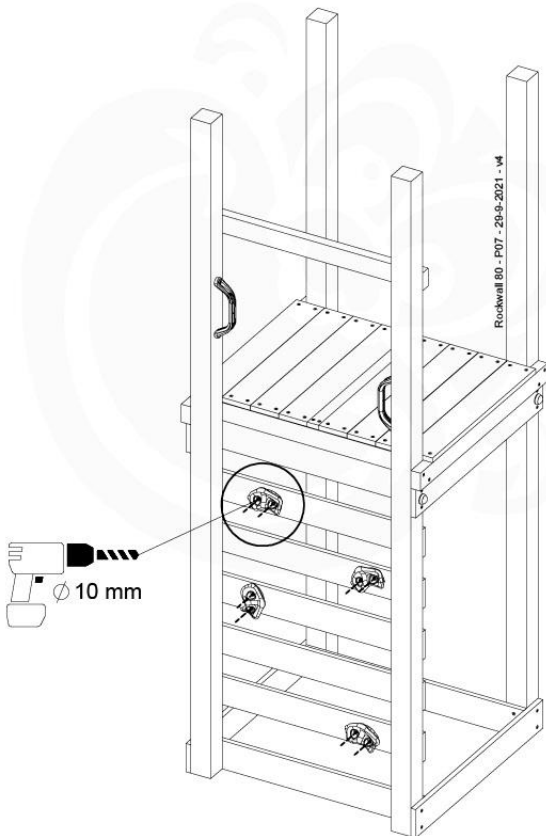
min. 2,6 cm
max. 8,8 cm



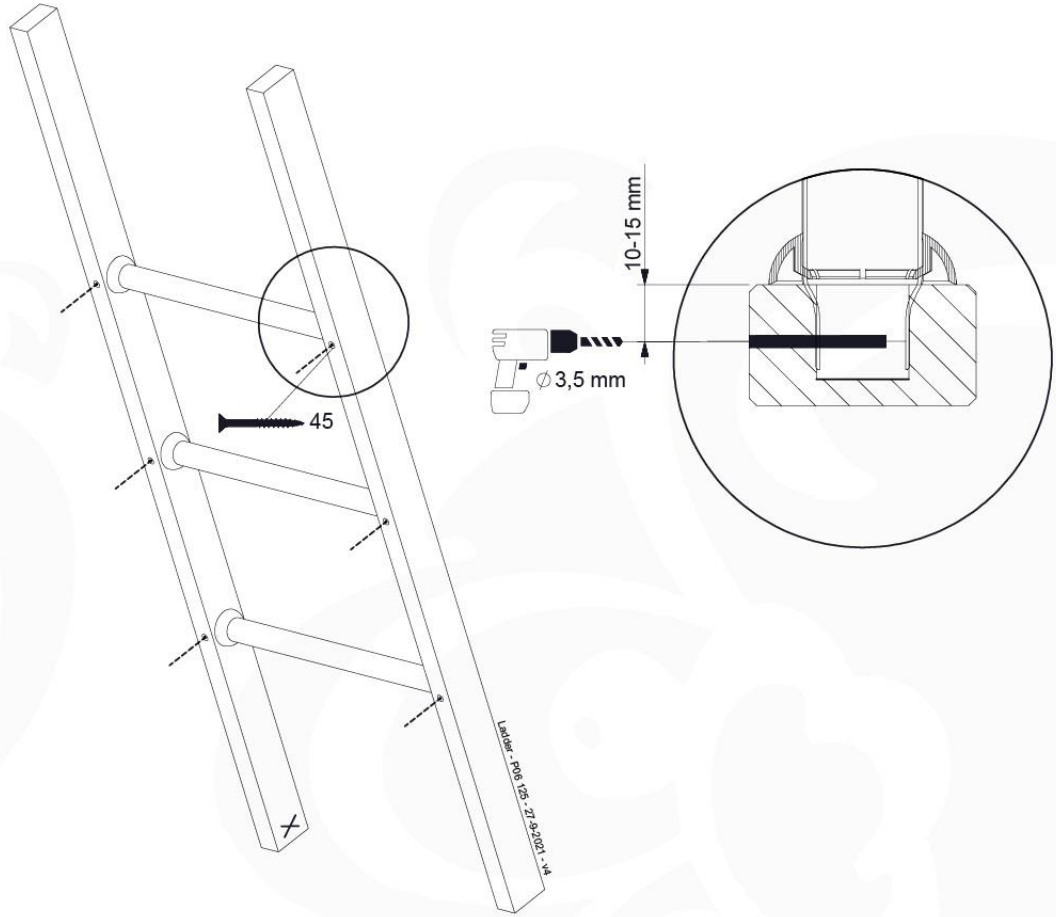
11-2



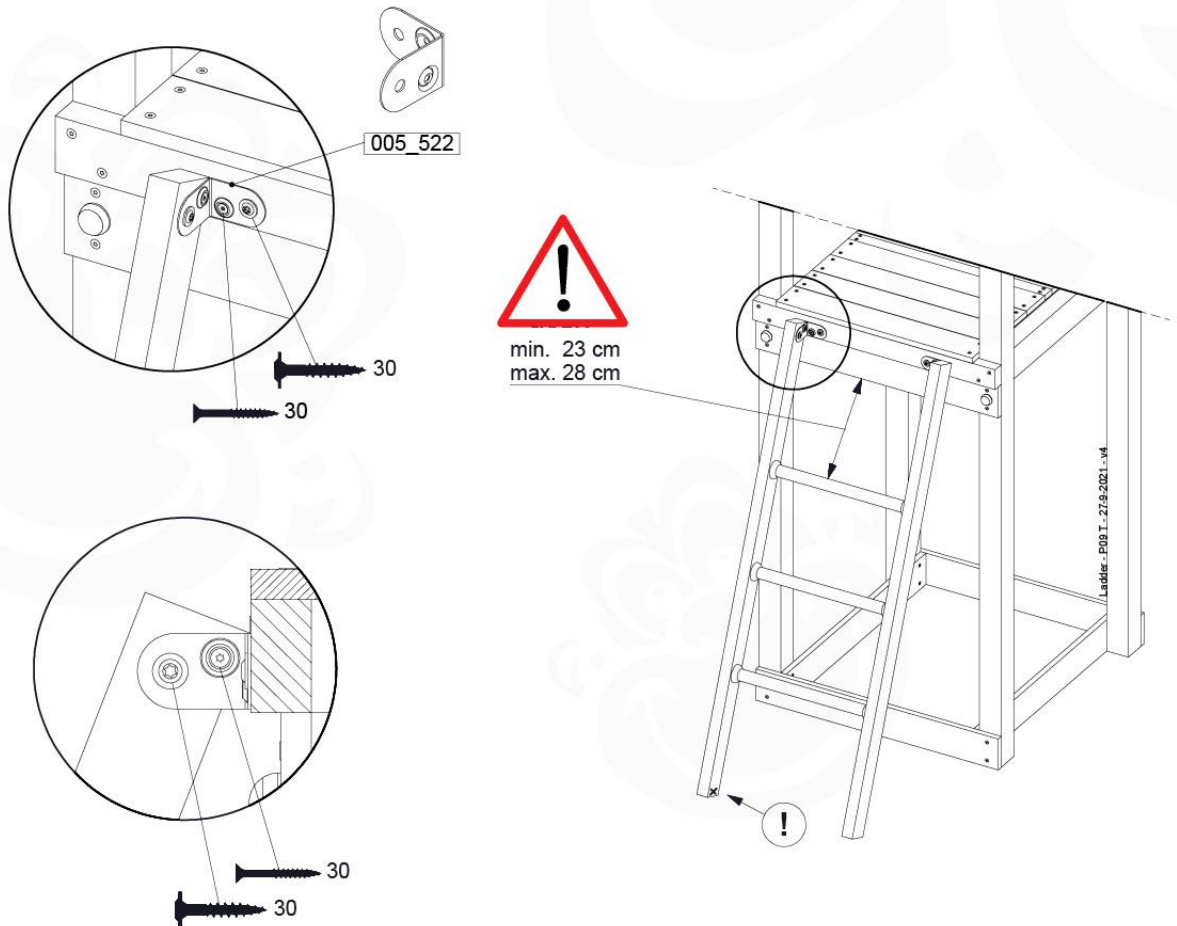
11-3



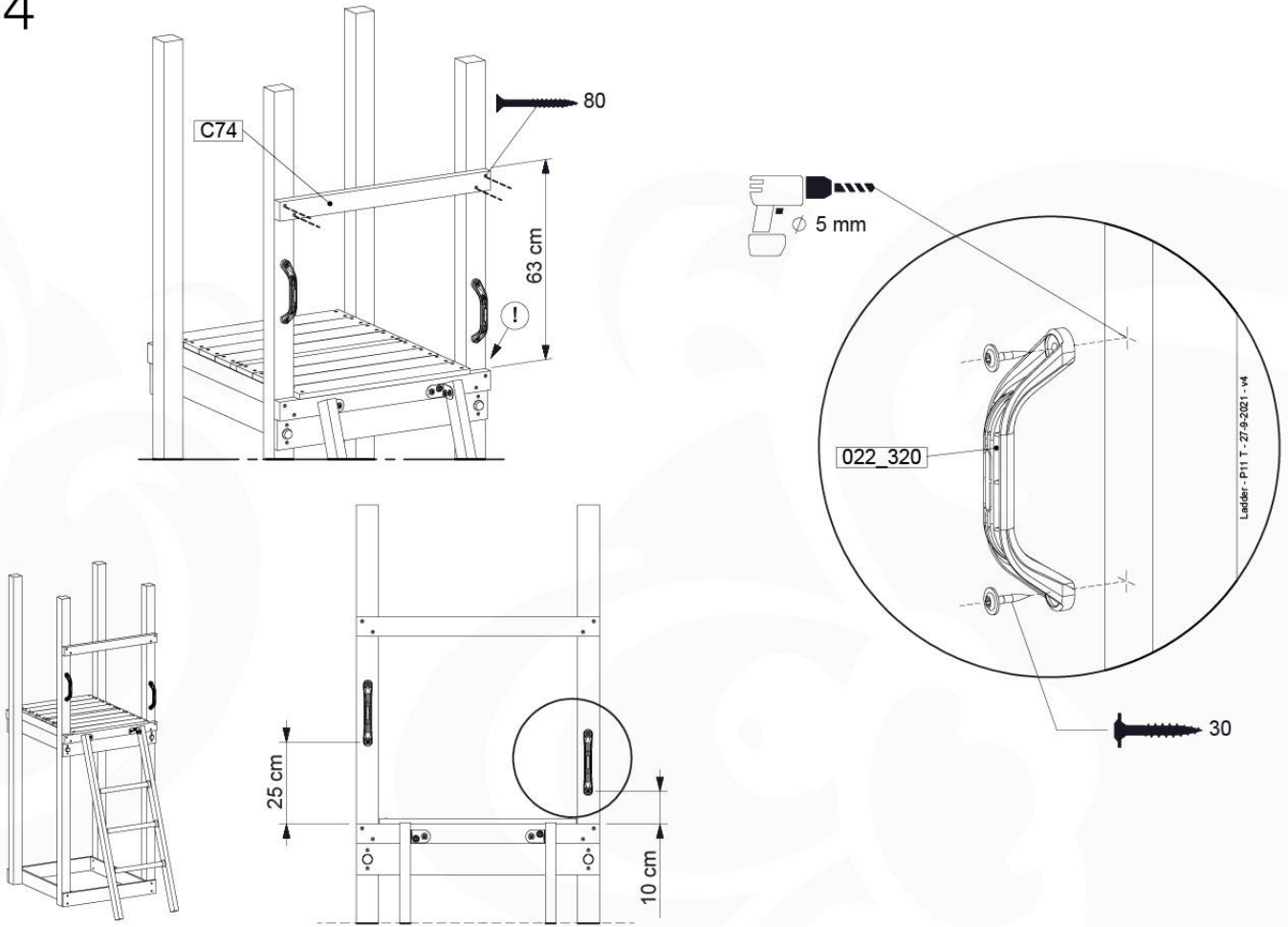
12-2



12-3



12-4



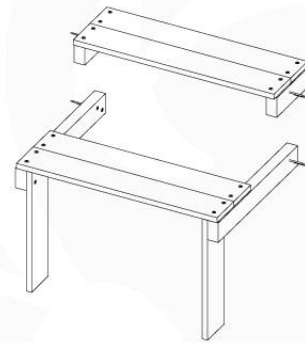
13-Picnic Table

PC01

(194_117)

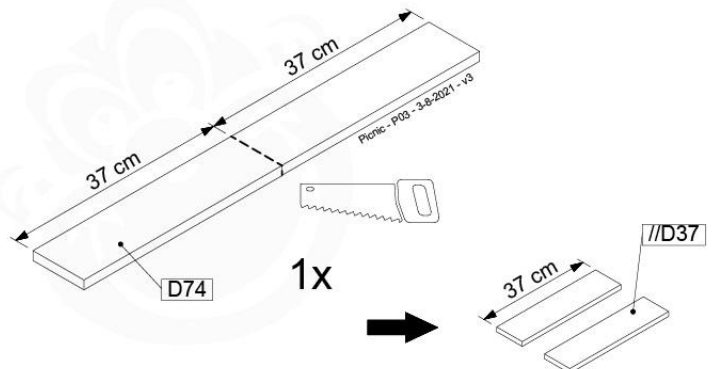
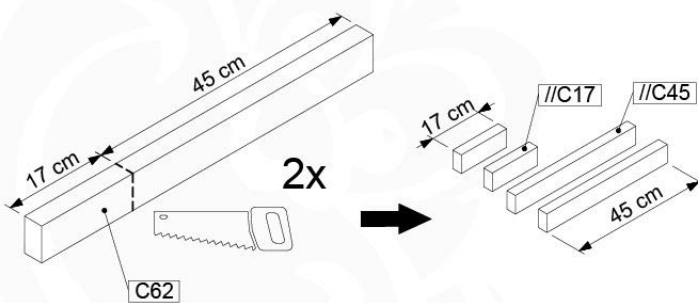
| | PartNo | PartName | QTY. |
|--------------------------|---------|----------------------------|------|
| Hardware Pack 100_615 | 002_220 | Gap Point Screw T25 - 5x45 | 20 |
| | 002_223 | Gap Point Screw T25 - 5x80 | 8 |
| Wood | C62 | Beam 620 mm | 2 |
| | D60 | Board 600 mm | 4 |
| | D74 | Board 740 mm | 1 |

Picnic - P02 - 3-8-2021 - v3

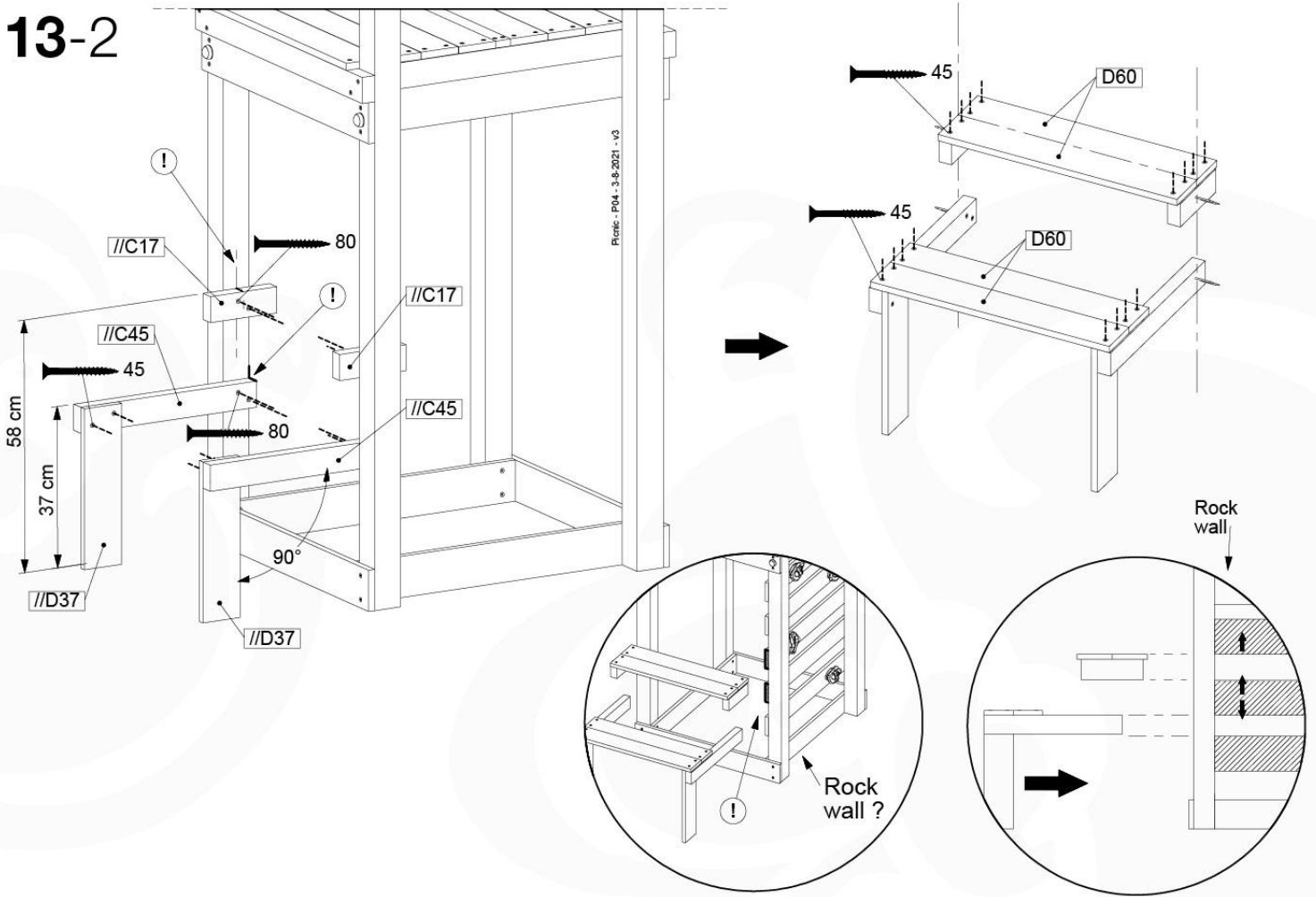


Jungle Gym Modular All-in-One Picnic Table

13-1



13-2



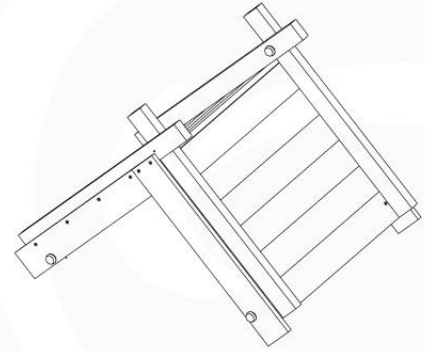
14 Roof Wooden Tipi

RF04

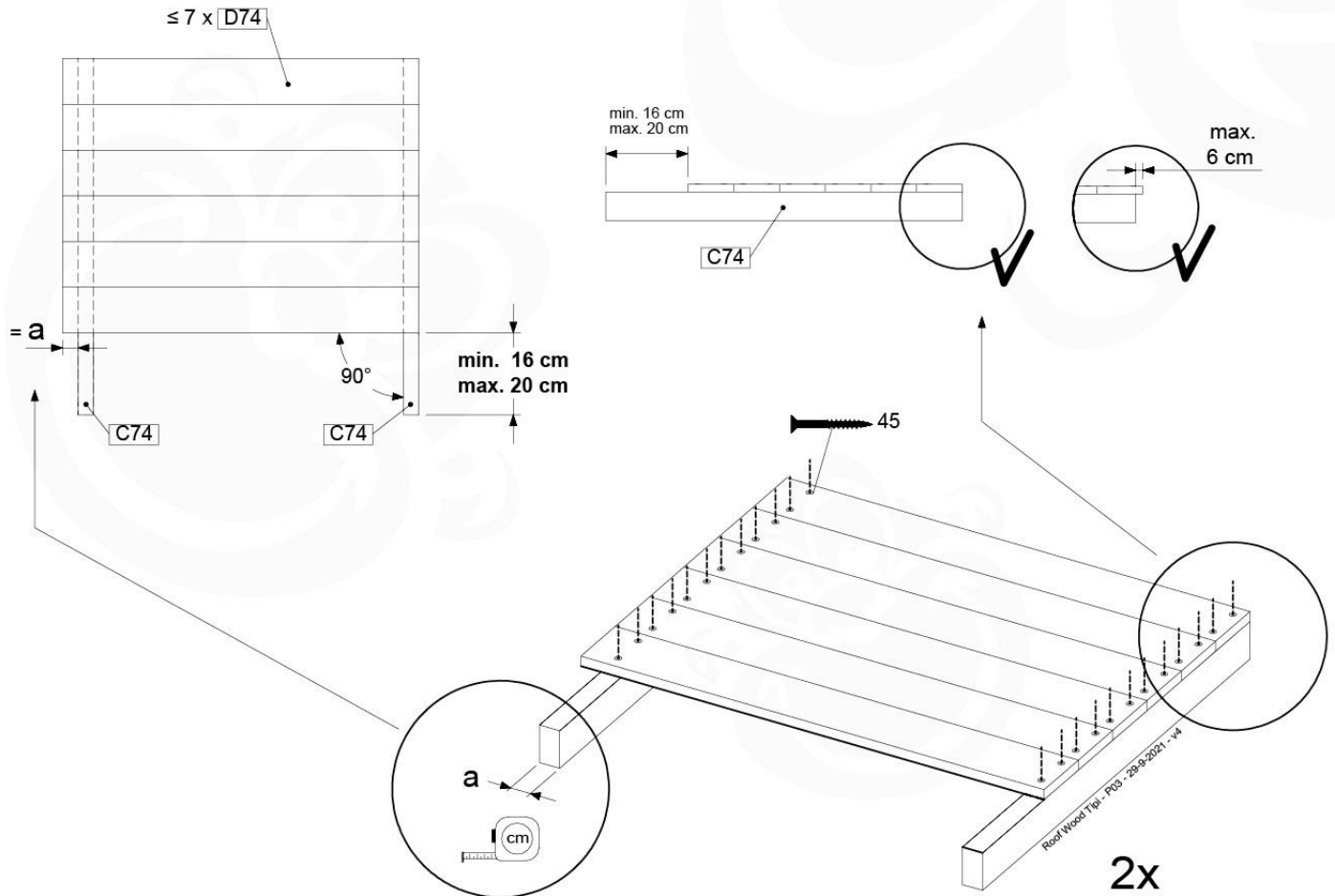
(194_110)

| | PartNo | PartName | QTY. |
|--------------------------|---------|--------------------------------|------|
| Hardware Pack 100_608 | 001_411 | Stealth Screw 8x60 | 6 |
| | 001_417 | Stealth Screw 8x80 | 2 |
| | 002_220 | Gap Point Screw T25 - 5x45 | 68 |
| | 002_223 | Gap Point Screw T25 - 5x80 | 4 |
| Other | 022_31x | bpc-base version 3 | 6 |
| | 022_84x | bpc cover | 6 |
| Timber | C74 | Beam 740 mm | 4 |
| | D56 | Board L=(650 - board width) mm | 2 |
| | D65 | Board 650 mm | 2 |
| | D74 | Board 740 mm | 14 |

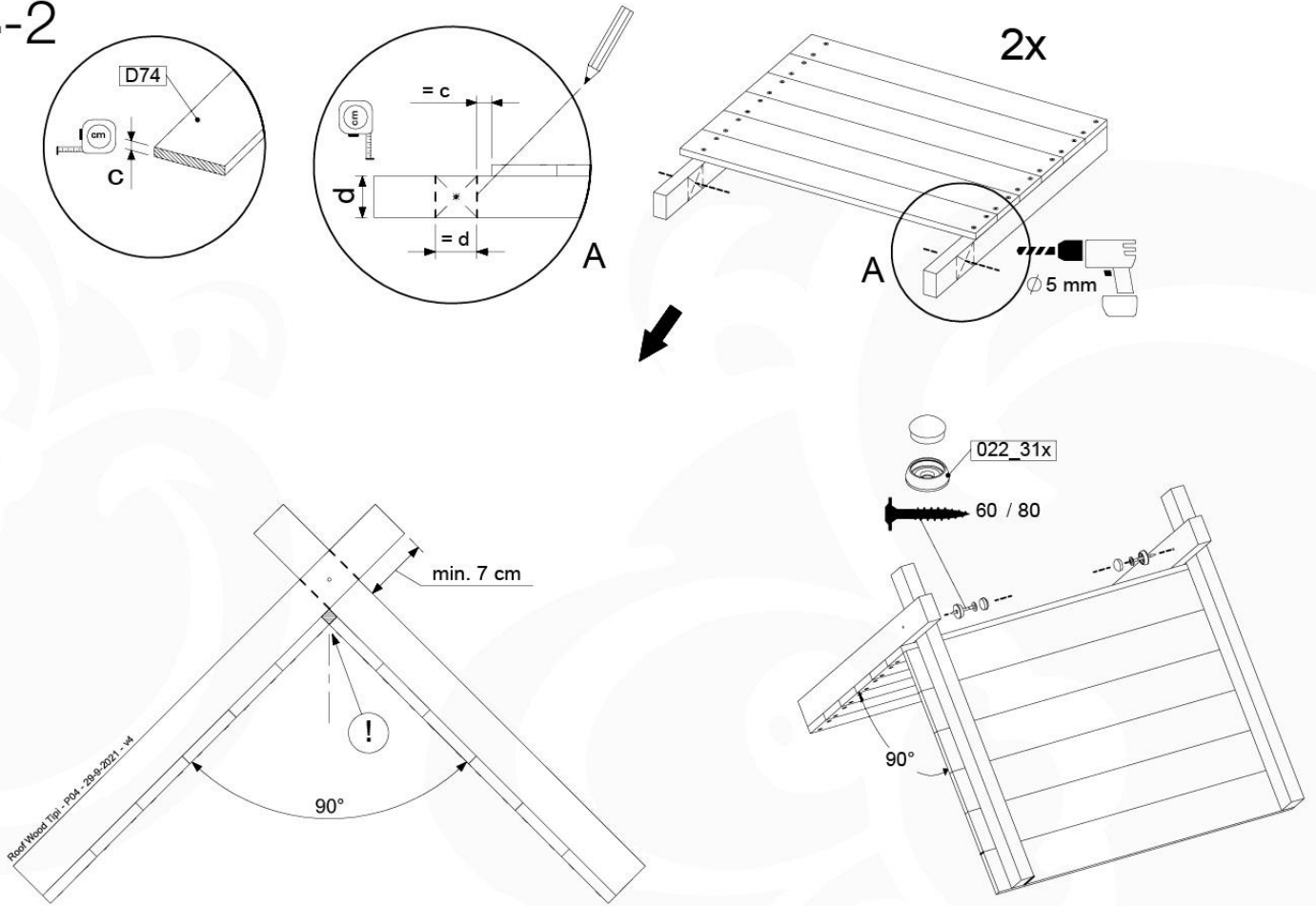
Roof Wood Tipi - P02 - 29-9-2021 - v4



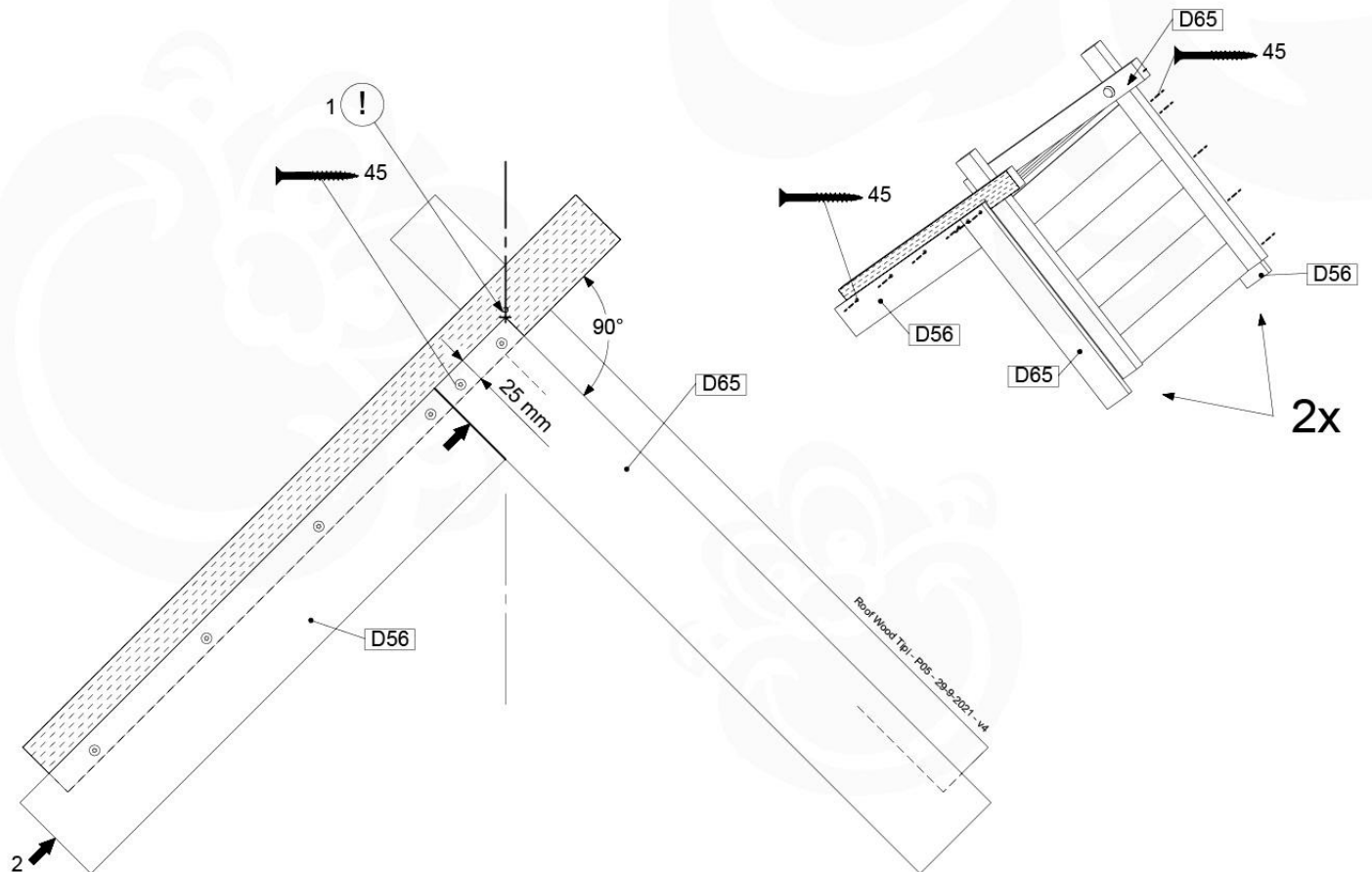
14-1



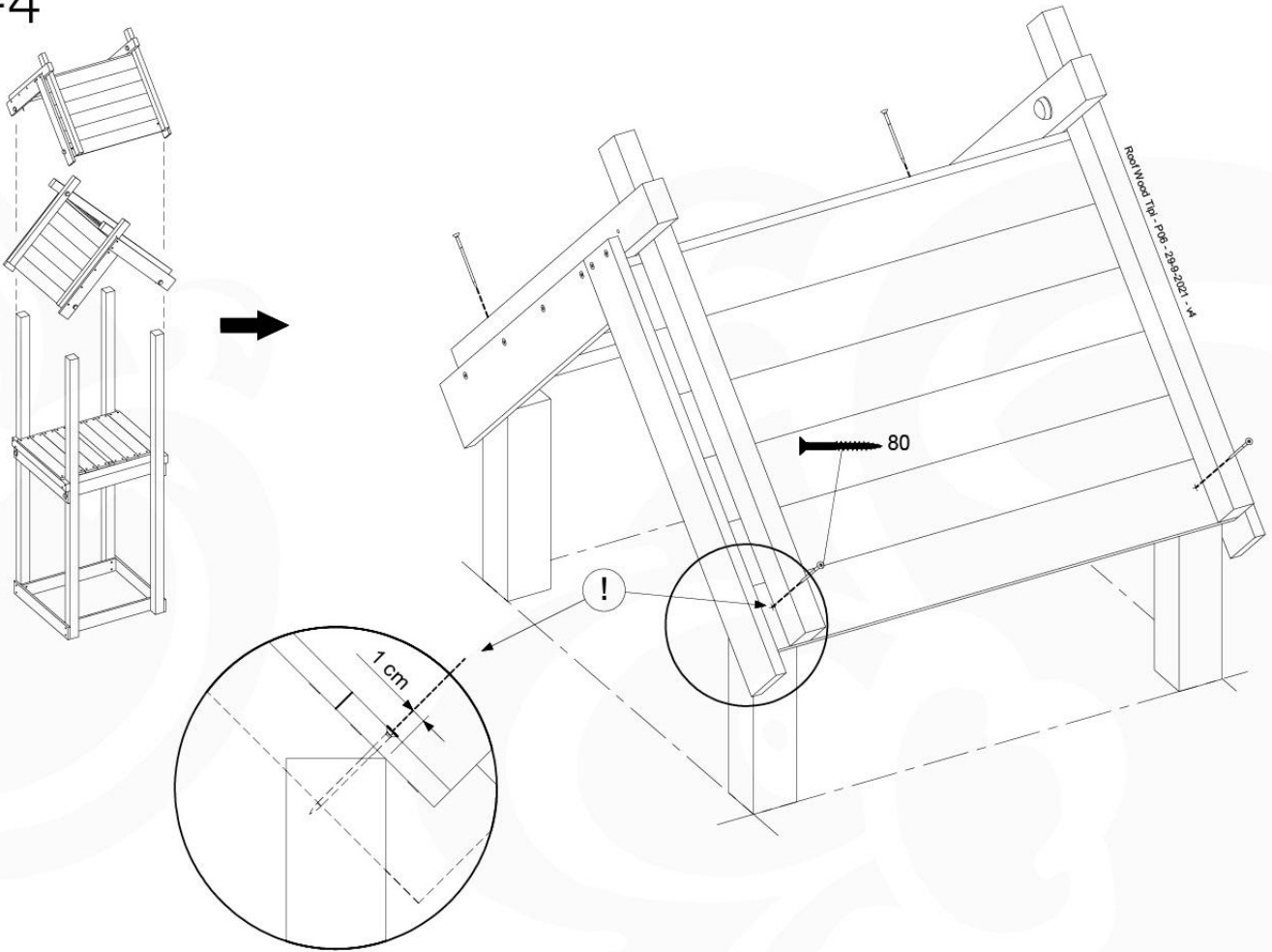
14-2



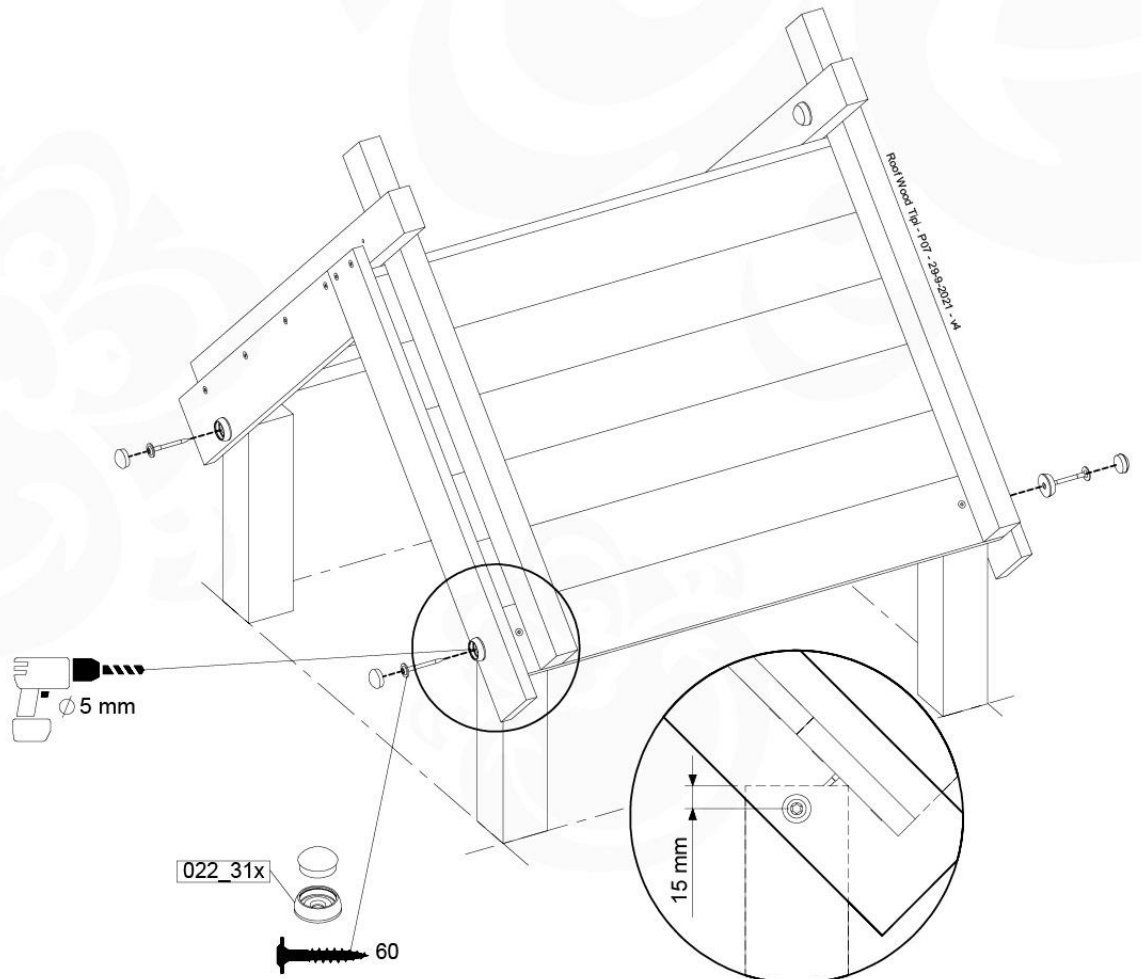
14-3



14-4



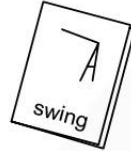
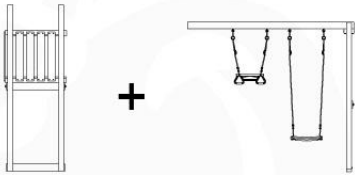
14-5



15 Swing Frame / Climb Frame

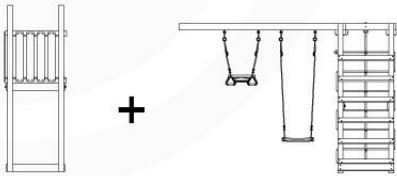


16



16

1-Swing frame / 2-Swing frame
457_101
457_102



16

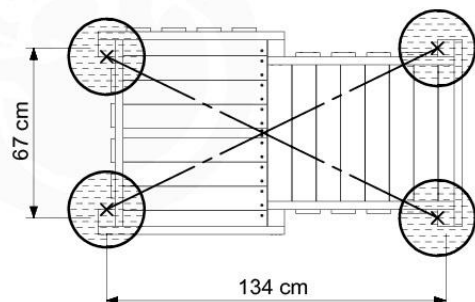
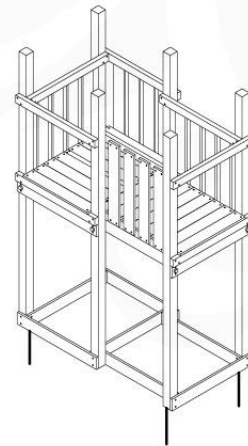
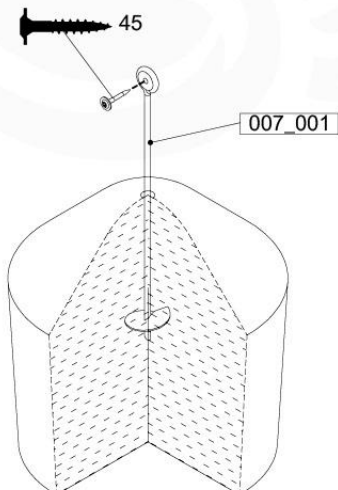
1-Climb frame / 2-Climb frame
457_105
457_106

16 Ground Anchors

GA02

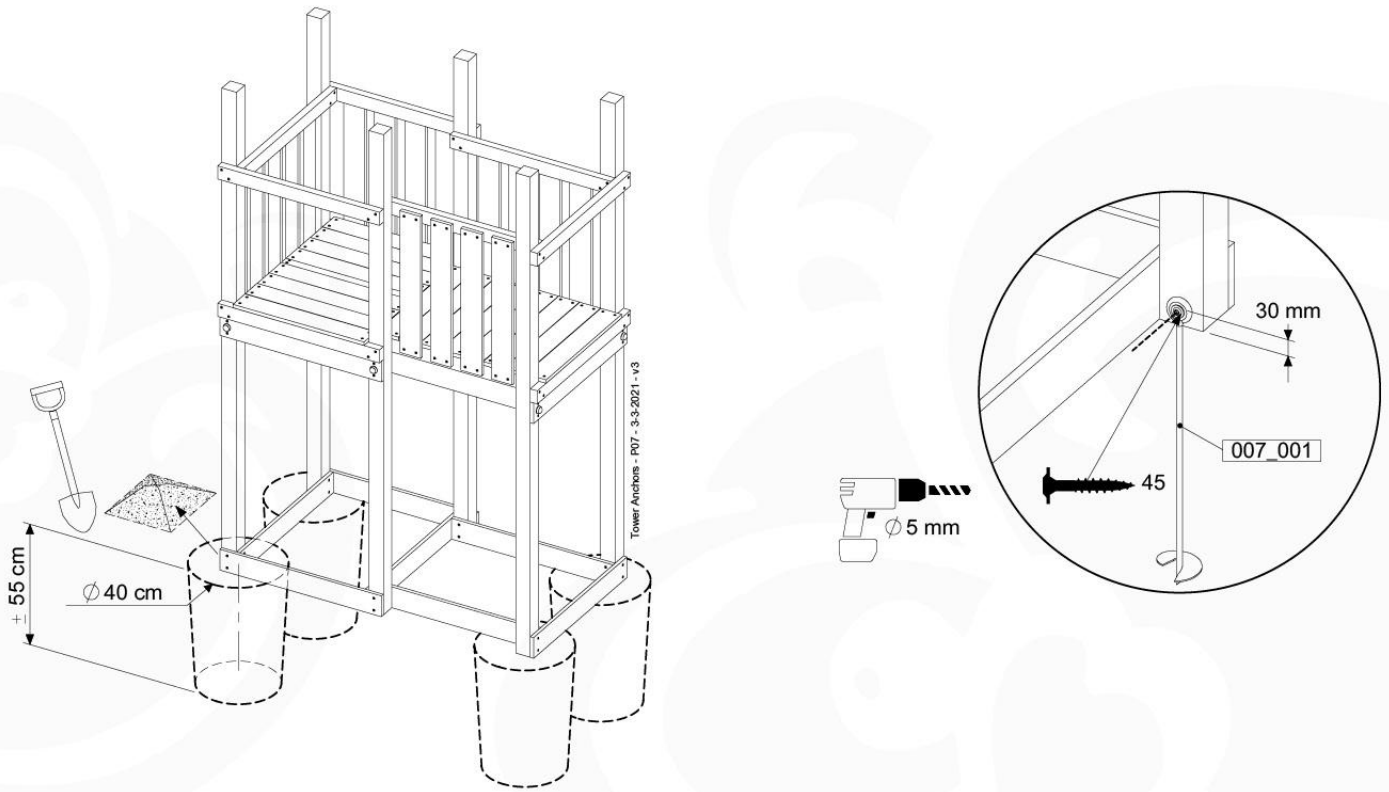
Parts:

Assembly Package Tower
194_100

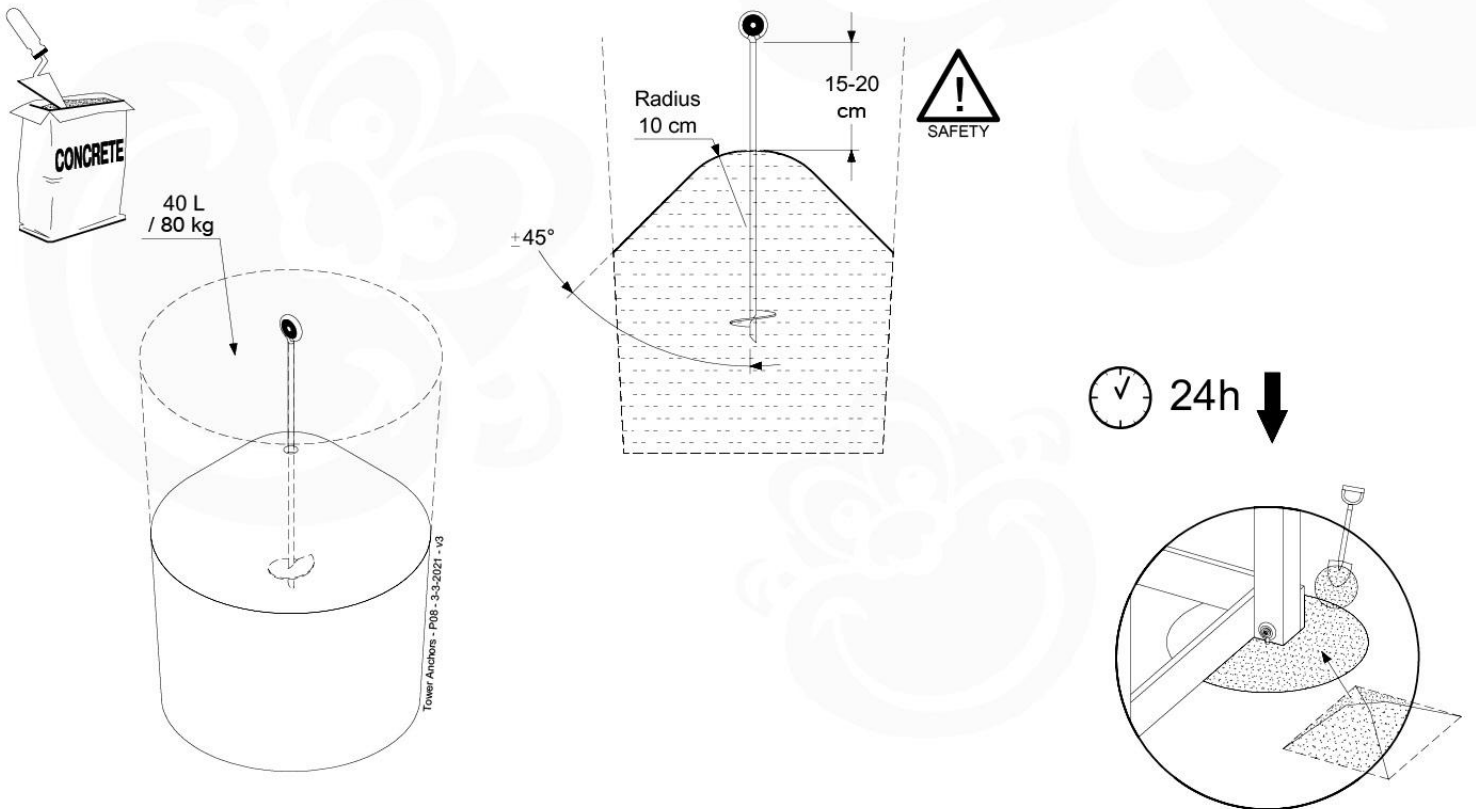


Tower Anchors - R03 - 3-3/2021 - v3

16-1



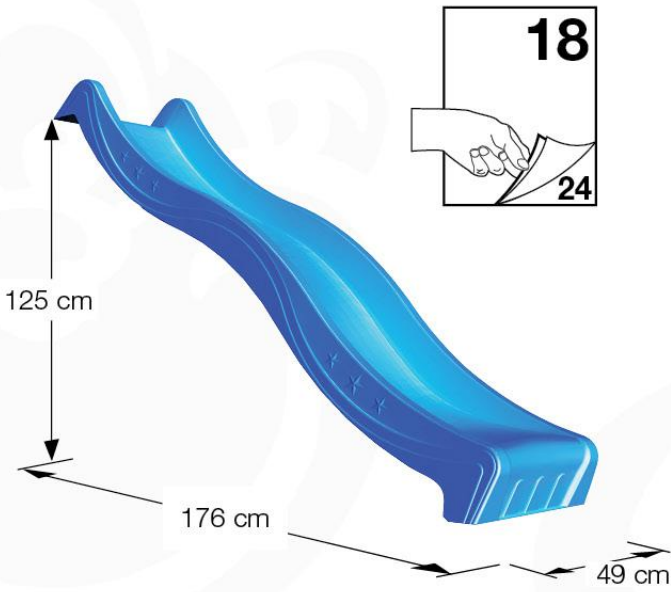
16-2



17 Add-on

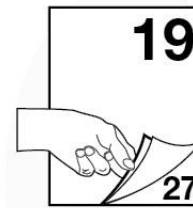
Wavy Star Slide XL

- 324_100 Yellow
- 324_200 Blue
- 324_300 Green
- 324_400 Red
- 324_500 Fuchsia
- 324_600 Dark Green



Fireman's Pole

201_275



18 Slide Set

SL01

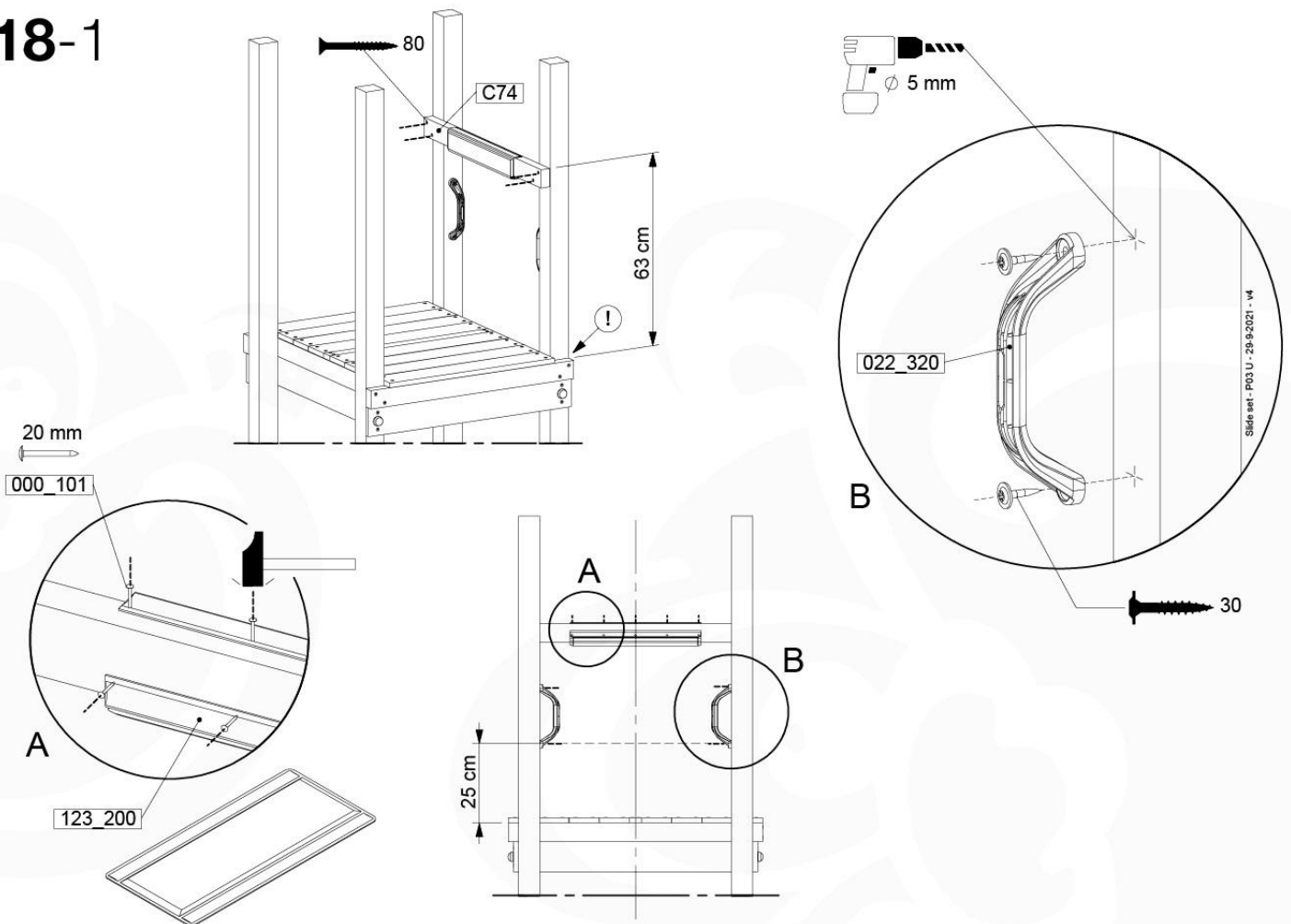
(194_107)

| | PartNo | PartName | QTY. |
|--------------------------|--------------------|--|------|
| Hardware Pack 100_605 | 000_101 | Nail Pan Head | 10 |
| | 002_223 | Gap Point Screw T25 - 5x80 | 4 |
| | 002_308 | Gap Point Screw T25 - 5x20 | 2 |
| Other | 120_102 | Handgrip set (2x Complete) | 1 |
| | 123_200 | Bumperpad | 1 |
| | 324_xxx 334_xxx | Wavy Star Slide XL 2200 mm / Wavy Star Slide XL 2650 mm | 1 |
| Timber | C74 | Beam 740 mm | 1 |

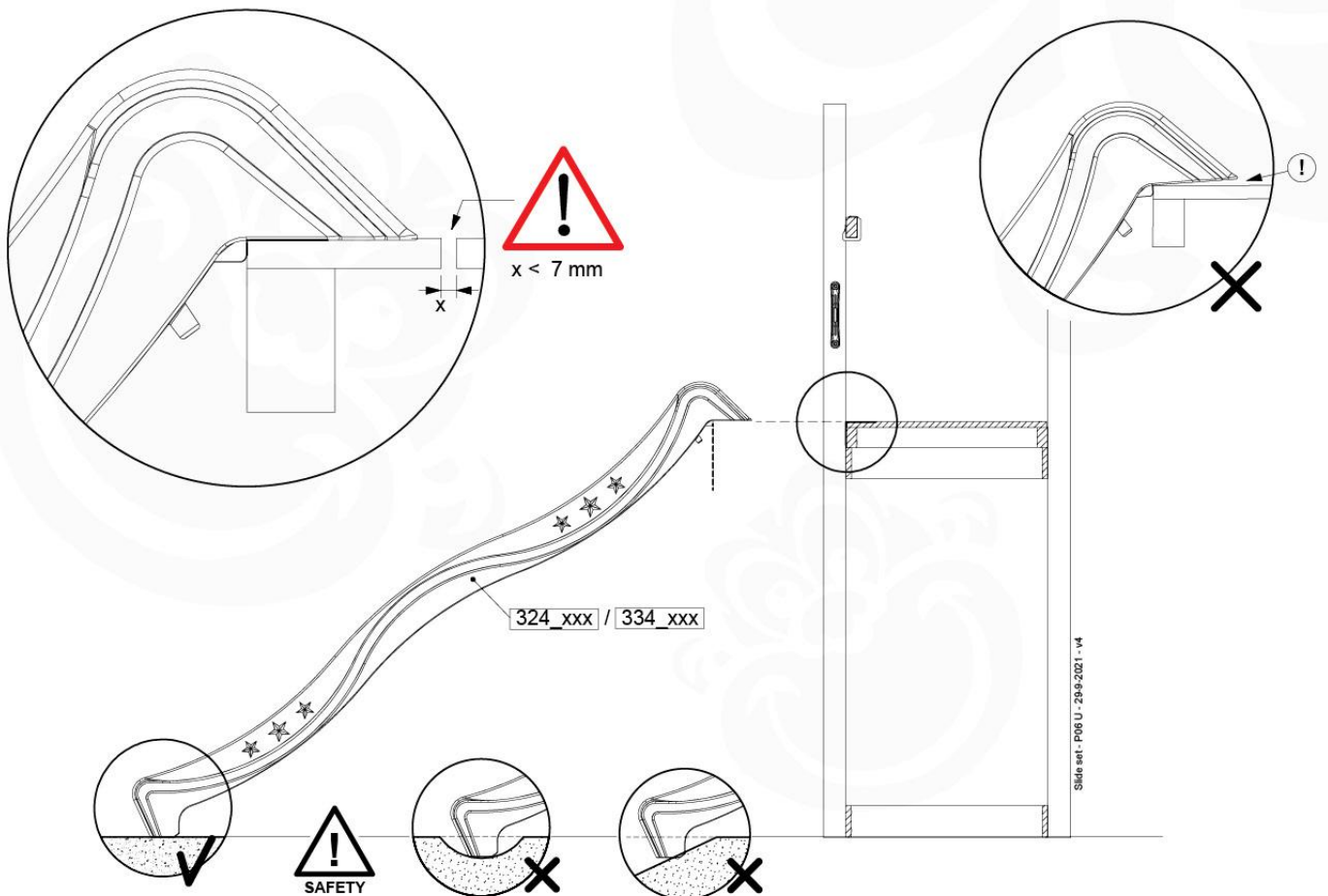
Slide set - P02 - 29-9-2021 - v4



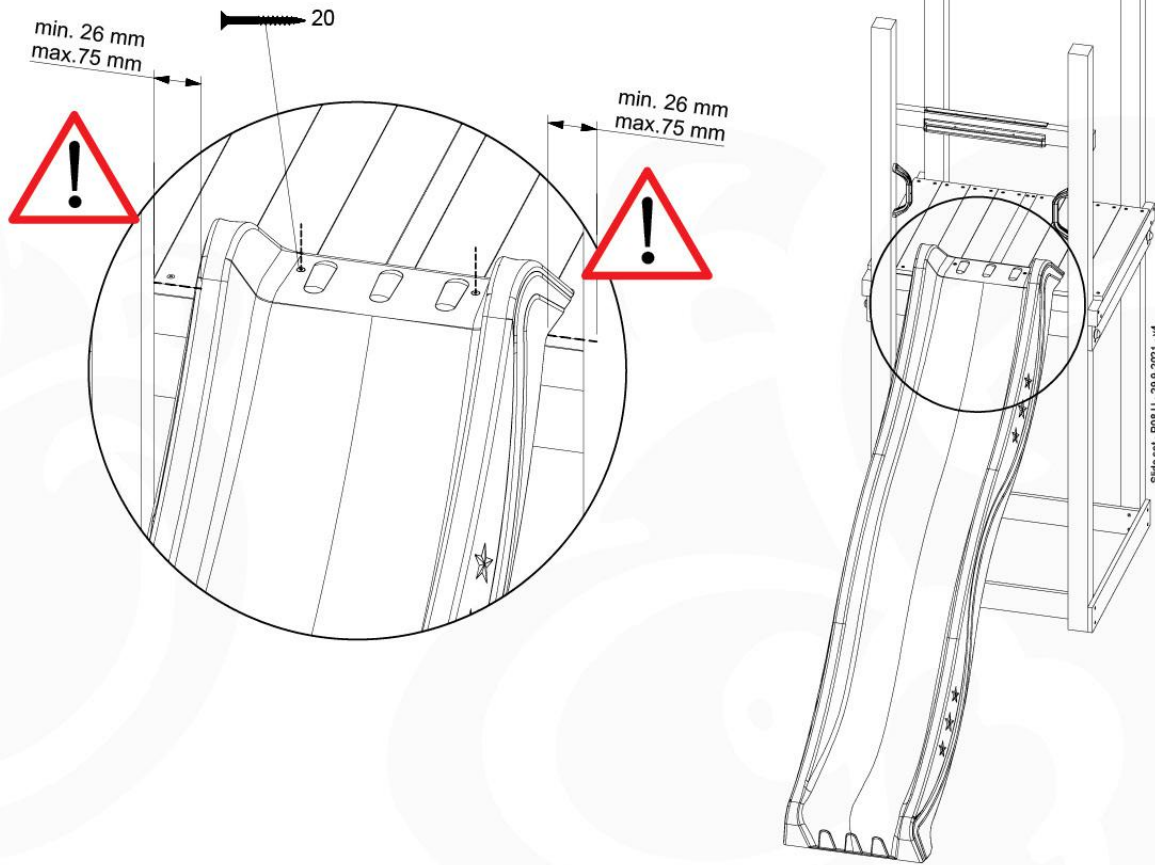
18-1



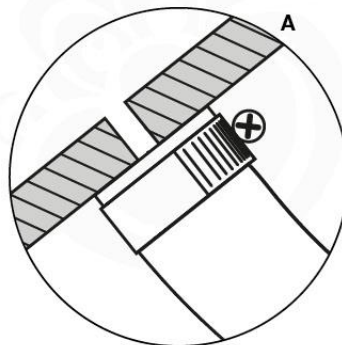
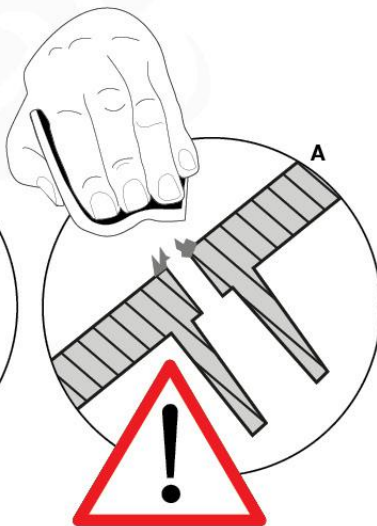
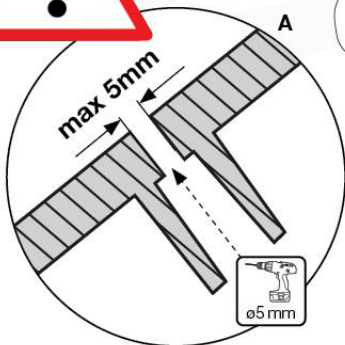
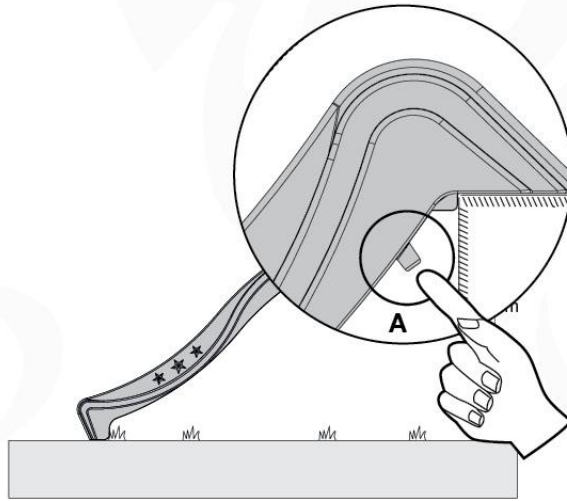
18-2



18-3



18-4



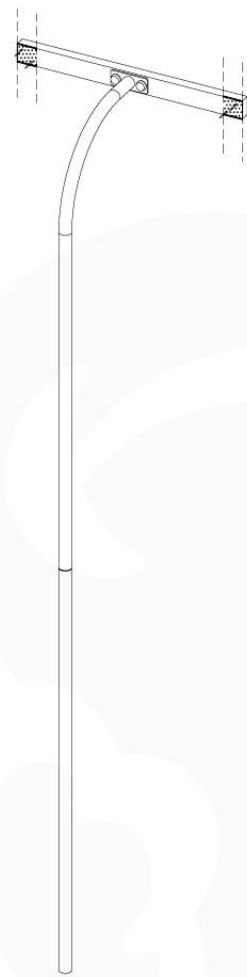
19 Firemans Pole

FP01

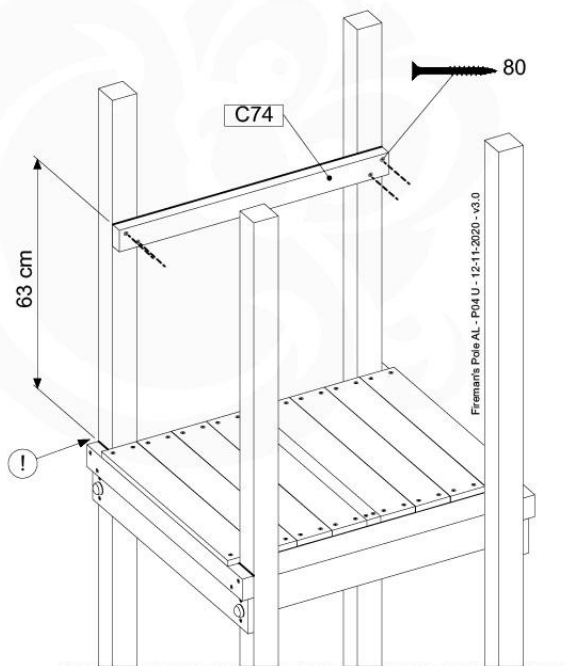
(201_275)

| | PartNo | PartName | QTY. |
|--------------------------|---------|----------------------------|------|
| Hardware Pack 100_346 | 001_103 | M8 Washer Head Screw 40mm | 2 |
| | 002_223 | Gap Point Screw T25 - 5x80 | 4 |
| | 003_010 | M8 spring lock washer | 2 |
| | 003_040 | M8 Washer | 2 |
| | 004_052 | M8 Drive-in Nut 30mm | 2 |
| | 004_054 | M8 Drive-in Nut 45mm | 2 |
| | 022_31x | bpc-base version 3 | 2 |
| | 022_84x | bpc cover | 2 |
| Other | 102_915 | Fireman's Pole | 1 |
| Timber | C74 | Beam 740 mm | 1 |

Fireman's Pole AL - P02 U - 12-11-2020 - v3.0



19-1



Fireman's Pole (201_275)
040_335 Part 2

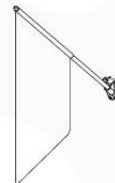
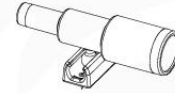
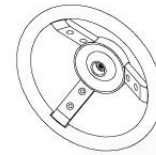
20 Accessories

AC01

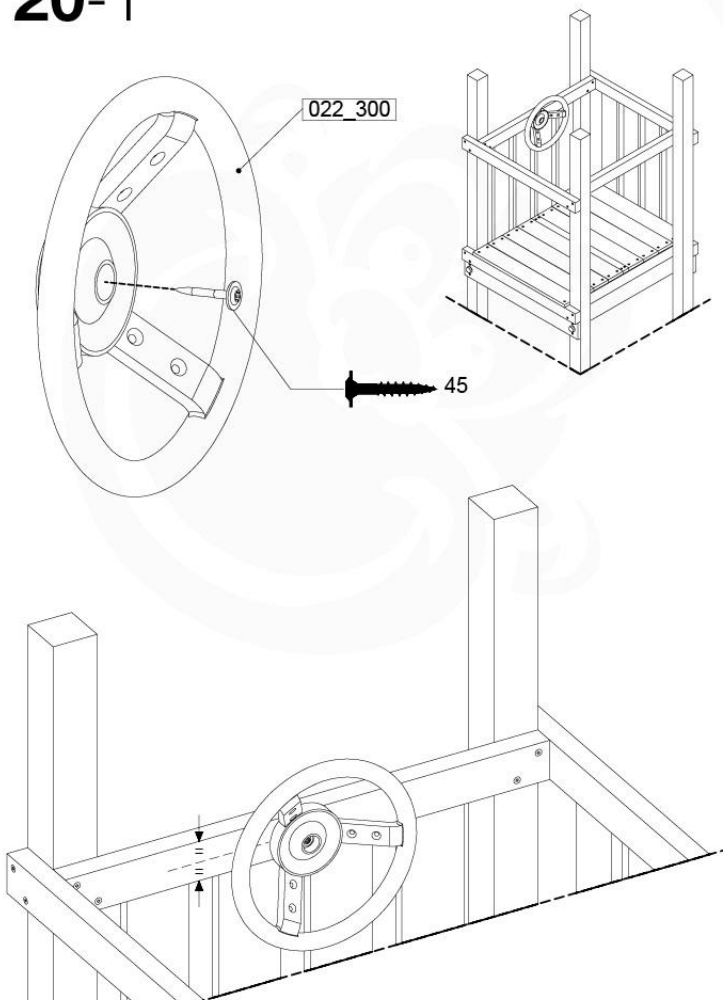
(194_119)

| | PartNo | PartName | QTY. |
|--------------------------|---------|-----------------------------|------|
| Hardware Pack 100_617 | 001_406 | Stealth Screw 8x45 | 1 |
| | 002_041 | Dome head screw 4.5 x 20 mm | 3 |
| | 002_042 | Dome head screw 3.5 x 13mm | 4 |
| | 002_219 | Gap Point Screw T25 - 5x30 | 2 |
| Other | 022_300 | Steering Wheel | 1 |
| | 022_800 | Rail P/T 105 | 1 |
| | 022_910 | Sandpad | 1 |
| | 103_901 | Logo ID Plate | 1 |
| | 104_107 | Tool Set Climbing Units | 1 |
| | 120_024 | Tower Flag | 1 |
| | 122_302 | Telescope | 1 |

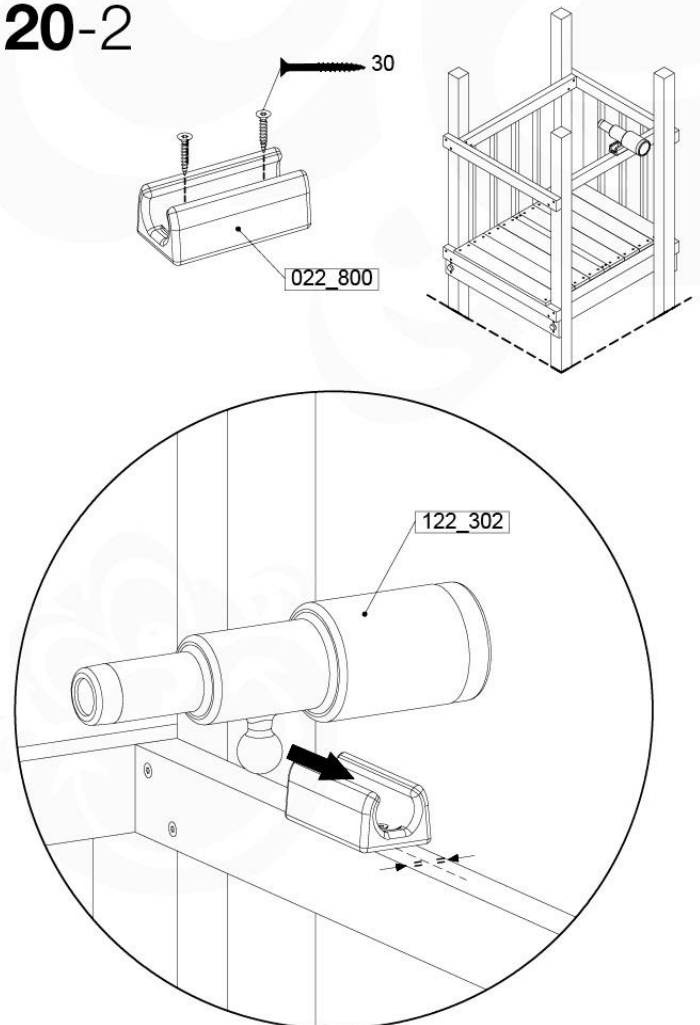
Accessory set - P02 - 28-9-2021 - v4



20-1

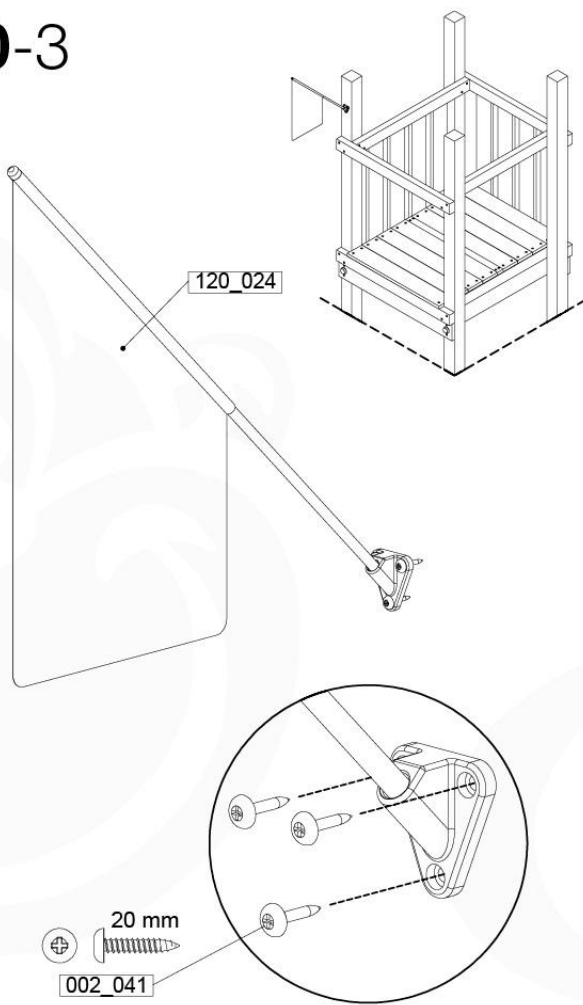


20-2

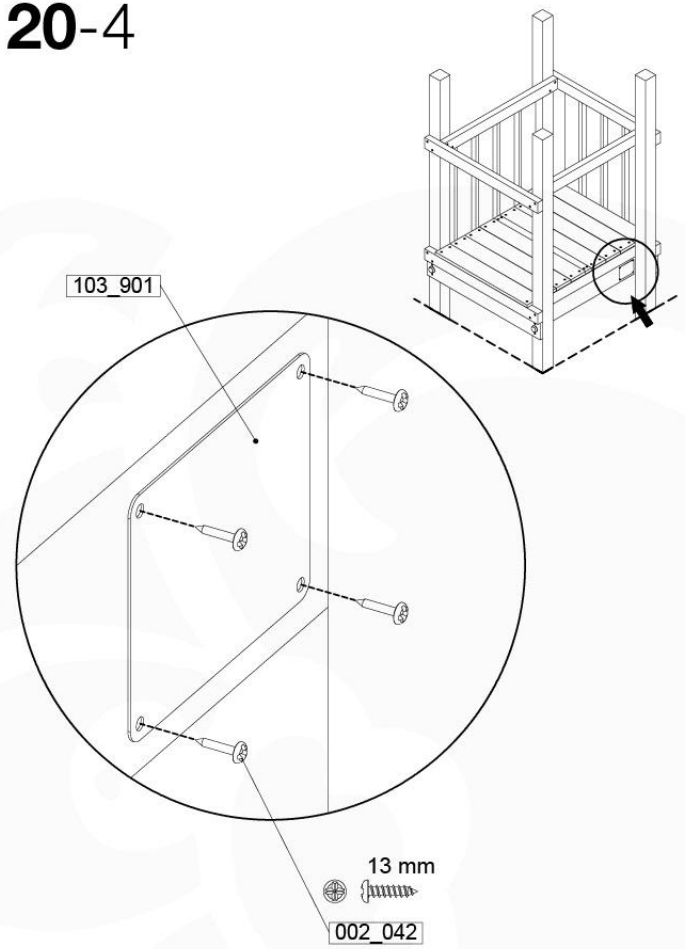


Accessory set - P03 - 28-9-2021 - v4

20-3



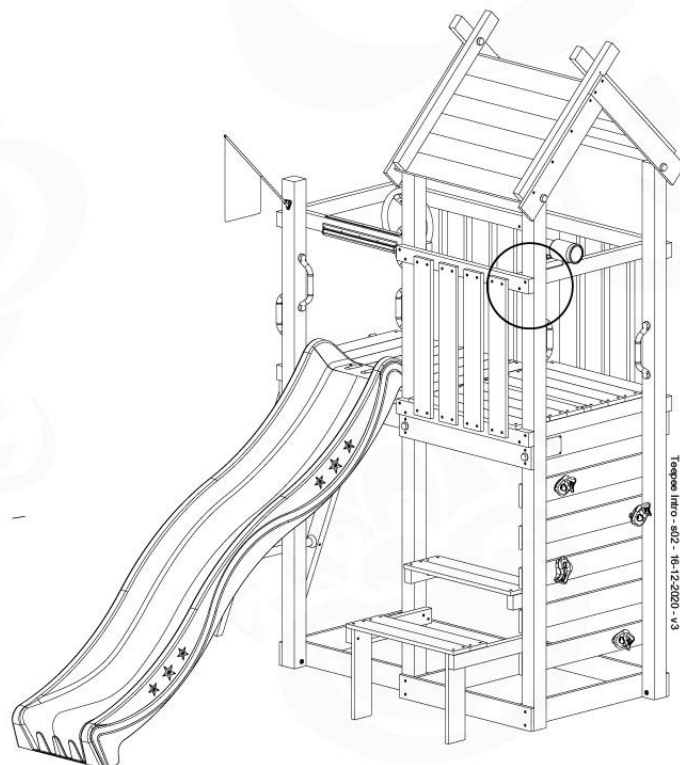
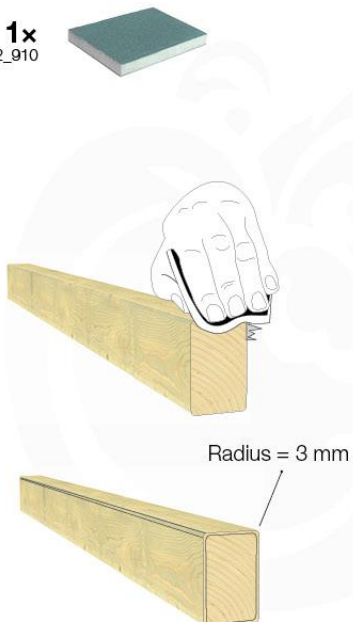
20-4



Accessoire set - P04 - 29-9-2021 - v4

20-5

1x
022_910



Teepee Ibero - 402 - 16-12-2020 - v3

