

Part 2

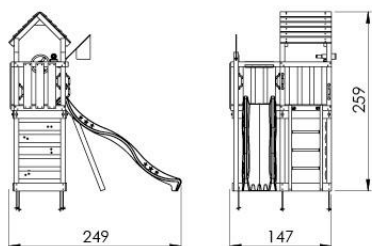
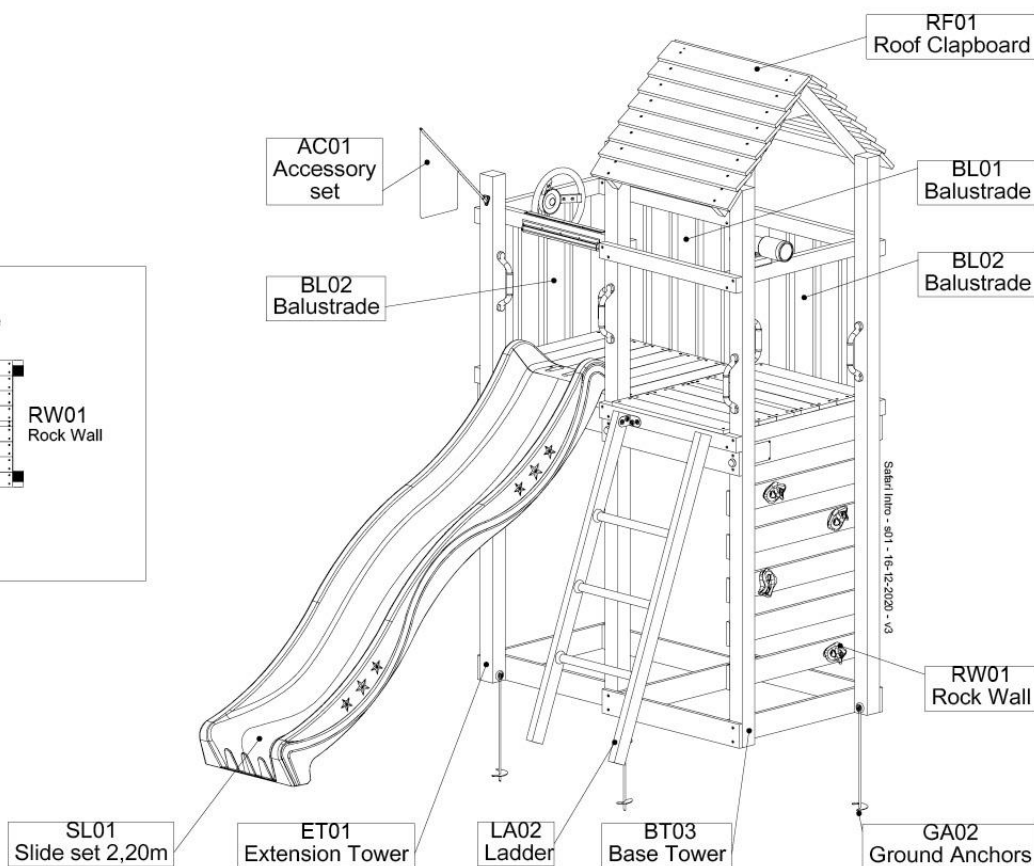
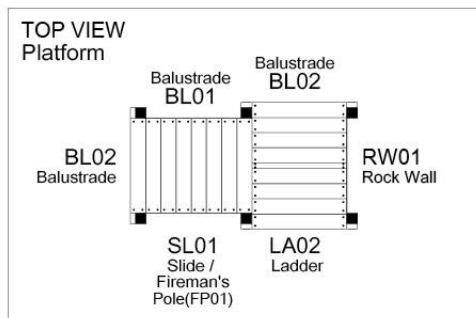
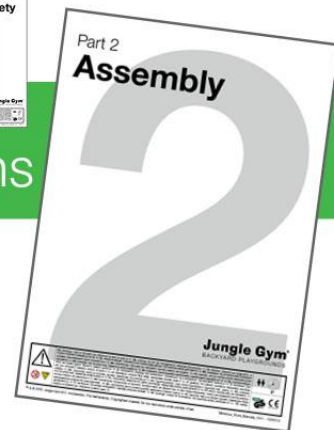
Assembly

Jungle Safari

803_204



Instructions



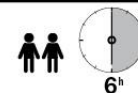
Jungle Gym

BACKYARD PLAYGROUNDS

since 1988



EN. Warnings. Only for domestic use. Maximum number of users is 5. **DE.** Achtung. Nur für den Hausgebrauch. Maximale Benutzerzahl: 5. **FR.** Attention. Réserve à un usage familial. Le nombre maximal d'utilisateurs est de 5. **NL.** Waarschuwingen. Uitsluitend voor huishoudelijk gebruik. Het maximale aantal gebruikers is 5. **BG.** Внимание. За употреба само в домашни условия. Максималният брой потребители е 5. **CS.** Varování. Jen pro domácí použití. Maximální počet uživatelů je 5. **DA.** Advarsel. Kun til privat brug. Maksimum antal brugere er 5. **EL.** Προειδοποίησης. Μόνο για οικιακή χρήση. Μέγιστος αριθμός χρηστών 5. **ES.** Advertencias. Solo para uso doméstico. Número máximo de usuarios: 5. **ET.** Hoiatused. Ainult koduseks kasutamiseks. Maksimaalne kasutajate arv on 5. **FI.** Varoitukset. Ainoastaan kotikäyttöön. Käyttäjää yhteensä enintään 5. **HR.** Upozorenja. Samo za kućansku uporabu. Maksimalan broj korisnika je 5. **HU.** Figyelmeztetések. Csak otthoni használatra! A használók max. száma: 5. **IS.** Varnaðarorð. Engöngu fyrir einkanothun í heimahúsum og á einkalóðum. Hámarksfjöldi notenda er 5. **IT.** Avvertenze. Solo per uso domestico. Massimo numero di utenti è 5. **LT.** Įspėjimai. Tik buitnam naudojimui. Maksimalus naudotojų skaičius 5. **LV.** Brīdinājumi. Izmanto tikai mājās. Maksimālais lietotāju skaits ir 5. **NO.** Advarsel. Kun for privat bruk. Maksimalt antall brukere er 5. **PL.** Ostrzeżenia. Wyłącznie do użytku domowego. Maksymalna liczba użytkowników to 5. **PT.** Avisos. Apenas para uso doméstico. O número máximo de utilizadores é 5. **RO.** Avertismente. Numai pentru uz domestic. Numărul maxim de utilizatori este 5. **RU.** Предостережения. Только для домашнего использования. Максимальное количество пользователей - 5. **SK.** Upozornenia. Iba na domáce použitie. Maximálne množstvo osôb je 5. **SL.** Opozorila. Samo za domačo uporabo. Maksimalno število uporabnikov je 5. **SR.** Upozorenja. Samo za kućnu upotrebu. Maksimalan broj korisnika je 5. **SV.** Varningar. Endast för hemmabruk. Det maximala antalet användare är 5. **TR.** Uyarılar. Sadece ev kullanımı için. Maksimum kullanıcı sayısı 5.



EN 71-1,2,3,4-4

01 What's in the Delivery?

403_204

| | | | | |
|----------------------------------|-------------------------------------|-------------------------------------|--|---|
| <p>1x 040_805 1x 040_076</p> | <p>1x 022_300</p> | <p>1x 120_024</p> <p>1x 103_901</p> | <p>4x 007_001</p> | <p>3x 120_102</p> <p>6x 022_820</p> <p>12x 001_104</p> |
| <p>4x 022_5xx</p> | <p>1x 122_302</p> <p>1x 022_800</p> | <p>3x 005_03x</p> <p>6x 022_835</p> | <p>1x 123_200</p> | <p>1x 100_605 1x 100_609 1x 100_617 1x 100_903 1x 100_904</p> <p>2x 100_600</p> <p>3x 100_601</p> |
| <p>1x 104_107</p> | <p>2x 005_522</p> | <p>1x 022_910</p> | <p>1x 201_275</p> <p>1x 324_x00</p> <p>FMP / Slide</p> | |

02 Hardware

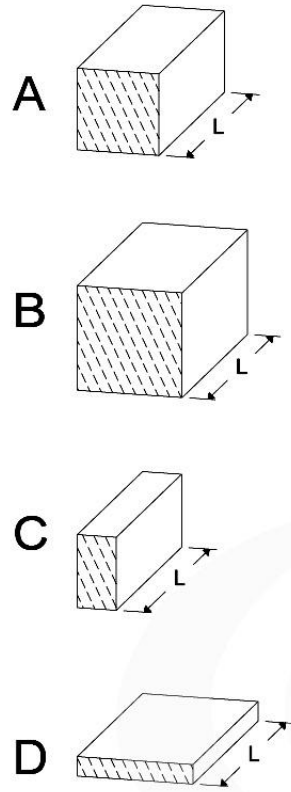
Total HWP 100_xxx Jungle Safari

20211001

| | | | | | | | |
|---------|------|--|-------------|---------|-----|--|-----------|
| 001_102 | 10x | | M8 x 30mm | 000_101 | 10x | | ø2 x 20mm |
| 001_417 | 4x | | ø8 x 80mm | 003_010 | 10x | | M8x14.2mm |
| 001_406 | 13x | | ø8 x 45mm | 004_050 | 10x | | M8 x 22mm |
| 001_404 | 4x | | ø8 x 30mm | 120_005 | 8x | | M8 |
| 002_223 | 60x | | ø5 x 80mm | | | | |
| 002_220 | 284x | | ø5 x 45mm | | | | |
| 002_219 | 6x | | ø5 x 30mm | | | | |
| 002_308 | 2x | | ø5.0 x 20mm | | | | |
| 002_041 | 3x | | ø4.5 x 20mm | | | | |
| 002_042 | 4x | | ø3.5 x 13mm | | | | |

03 Timber

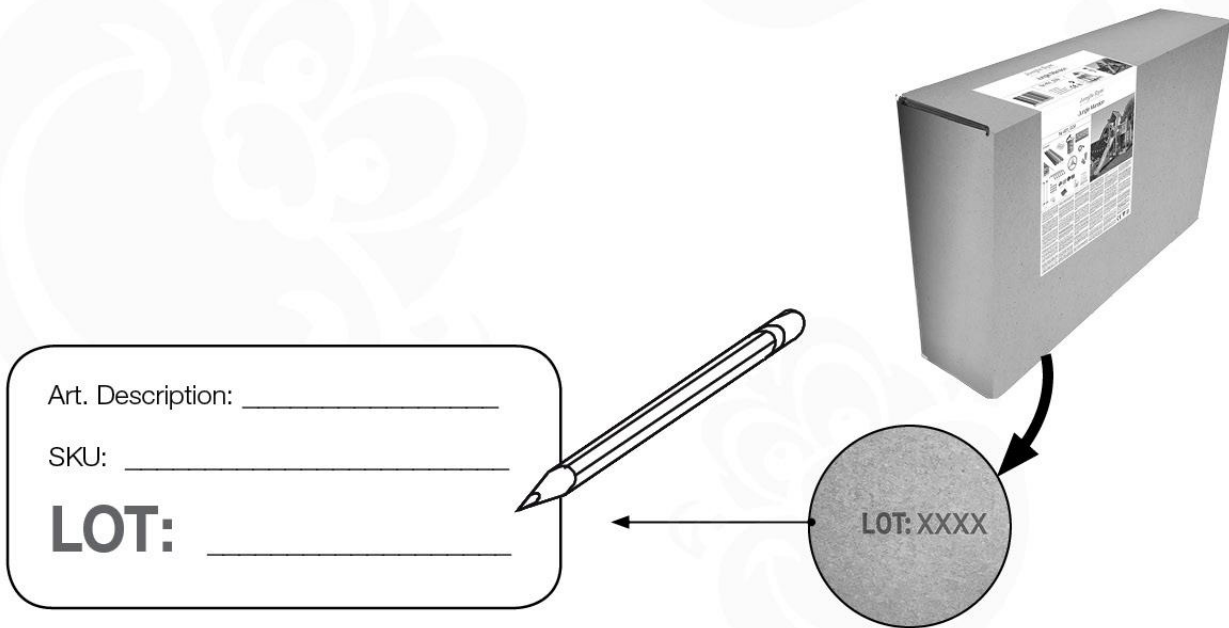
603_204 Jungle Safari



| | L | |
|---------------------------|--|---------------------------|
| A220 A200 | 219cm - 220cm 199cm - 200cm | 4 x 2 x |
| - | - | - |
| C130 C74 C62 C56 | 129cm - 130cm 73cm - 74cm 61cm - 62cm 55cm - 56cm | 2 x 13 x 2 x 2 x |
| D74 D65 D60 | 73cm - 74cm 64cm - 65cm 59cm - 60cm | 35 x 12 x 20 x |

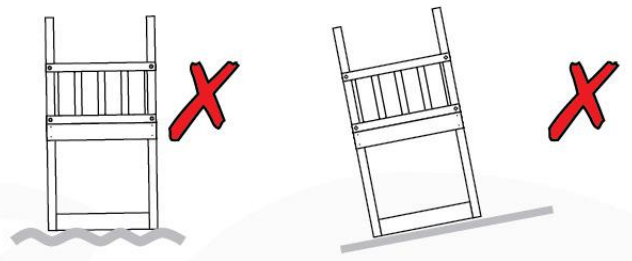
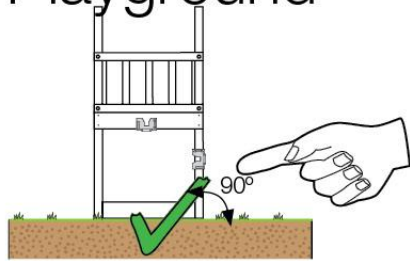
output: 01/10/21

04 Product ID

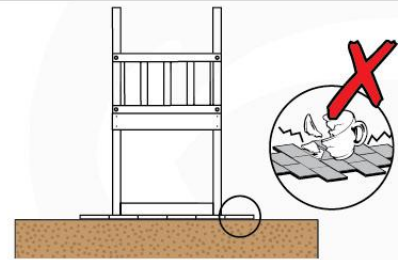
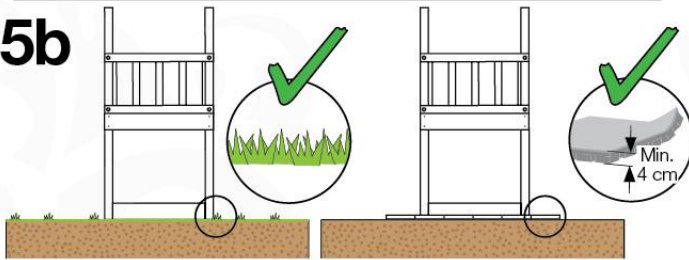


05 Safe Playground

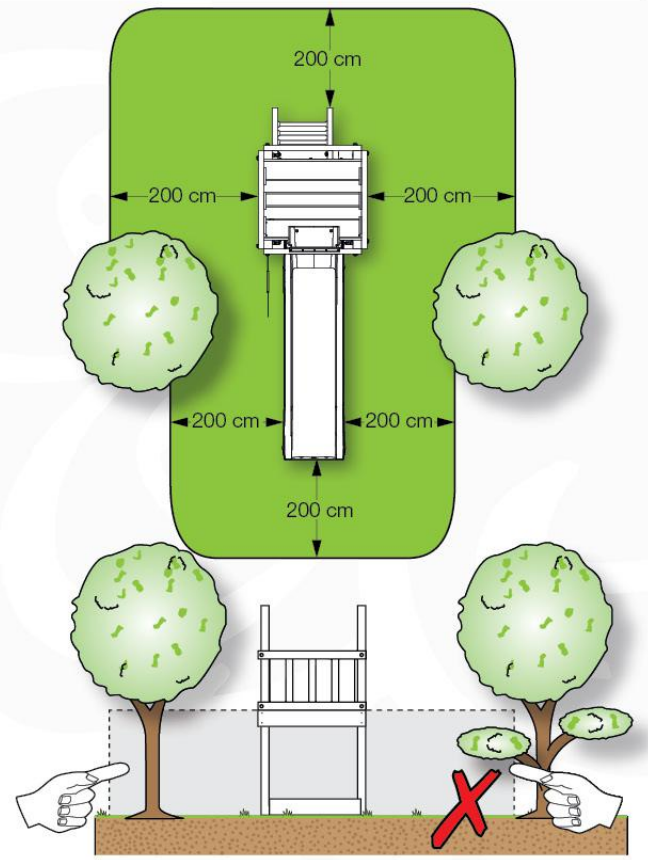
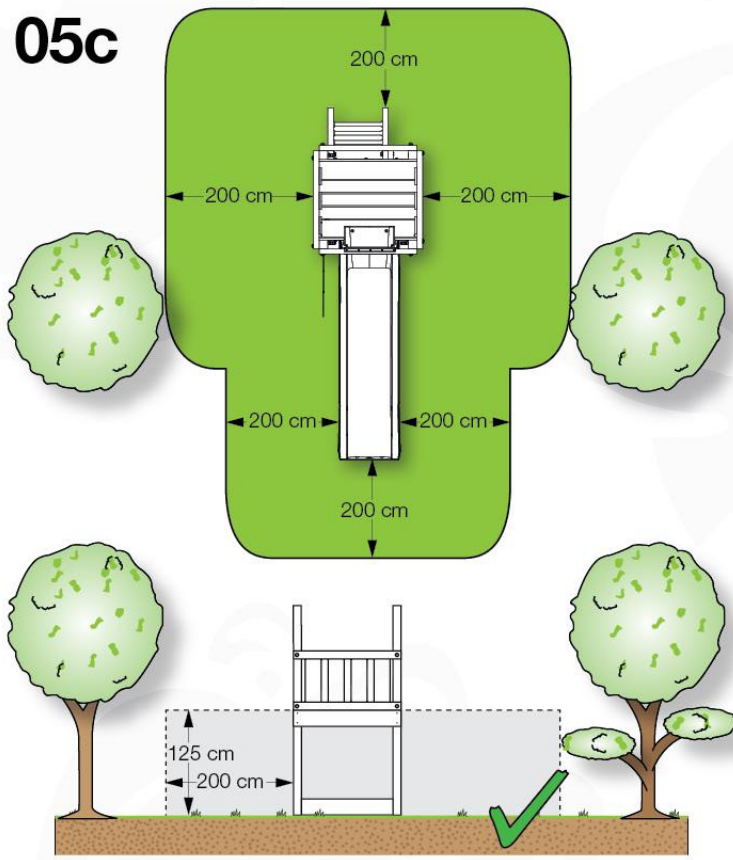
05a



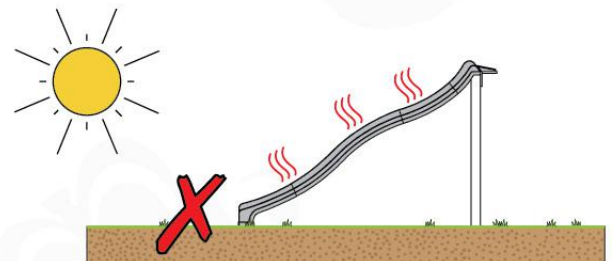
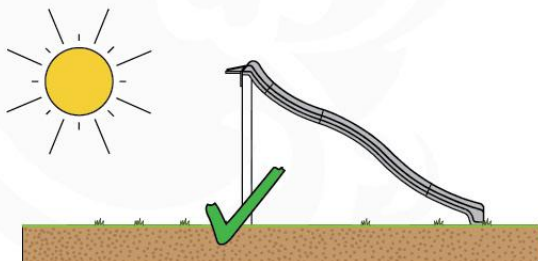
05b



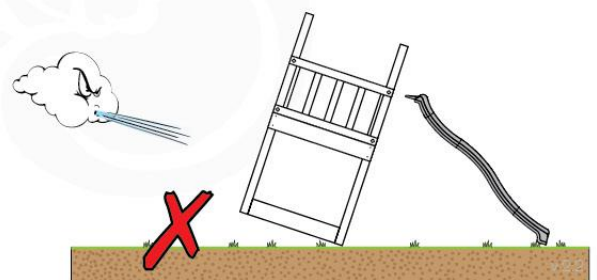
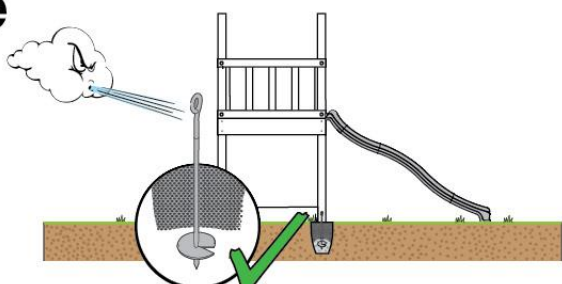
05c



05d



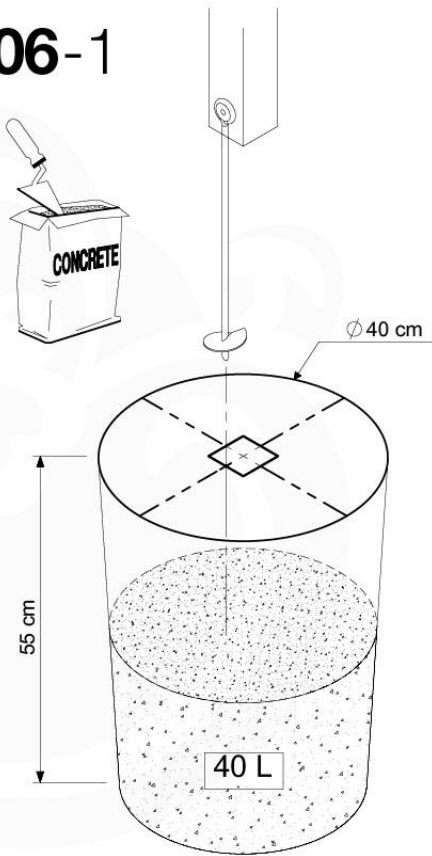
05e



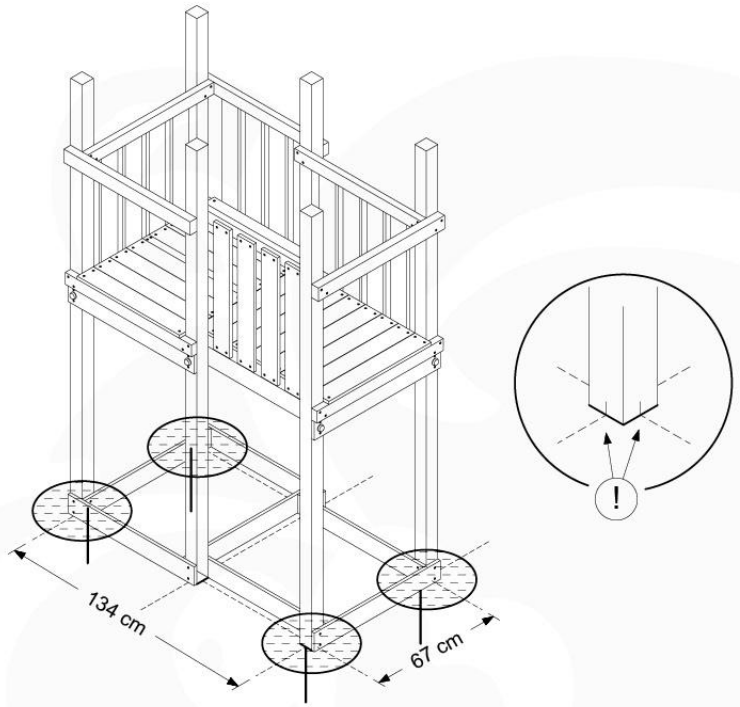
06 Playground Foundation

FD02

06-1



Foundation Plan - P03 - 27-11-2020 - v3



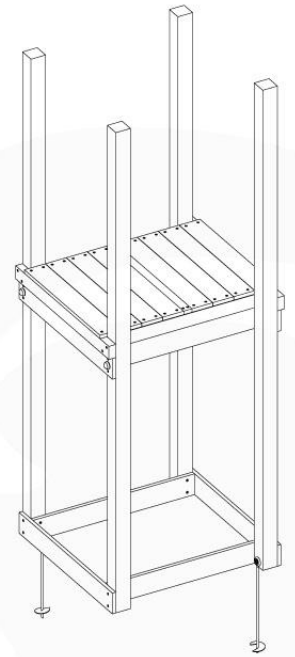
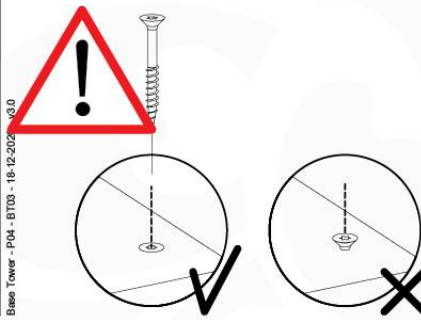
© 2022 Jungle Gym B.V. - www.junglegym.com

07 Base Tower

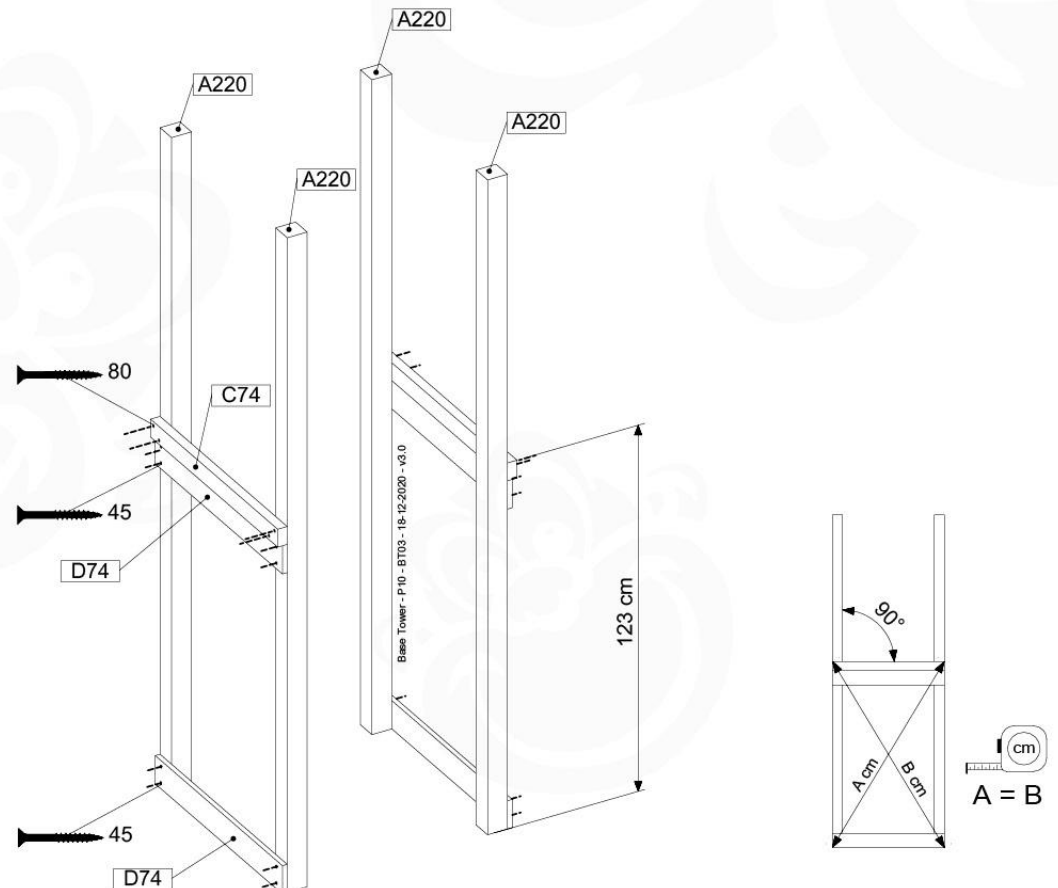
BT03

(194_100)

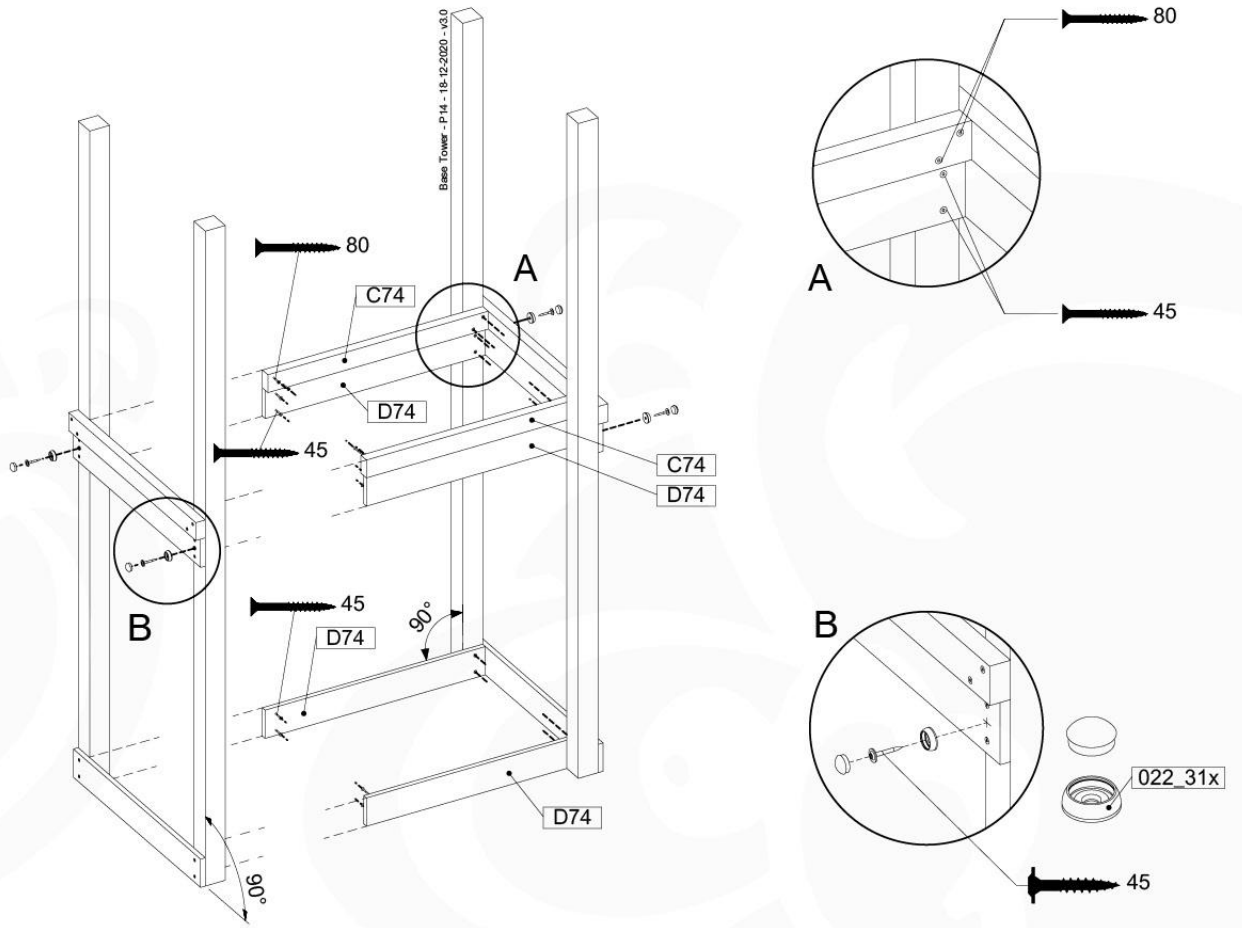
| | PartNo | PartName | QTY. |
|--------------------------|---------|----------------------------|------|
| Hardware Pack 100_600 | 001_406 | Stealth Screw 8x45 | 6 |
| | 002_220 | Gap Point Screw T25 - 5x45 | 72 |
| | 002_223 | Gap Point Screw T25 - 5x80 | 16 |
| Other | 007_001 | Ground-anchor | 2 |
| Hardware Pack 100_600 | 022_31x | bpc-base version 3 | 4 |
| | 022_84x | bpc cover | 4 |
| Wood | A220 | Post 70x70 L2200 | 4 |
| | C74 | Beam 740 mm | 4 |
| | D60 | Board 600 mm | 10 |
| | D74 | Board 740 mm | 8 |



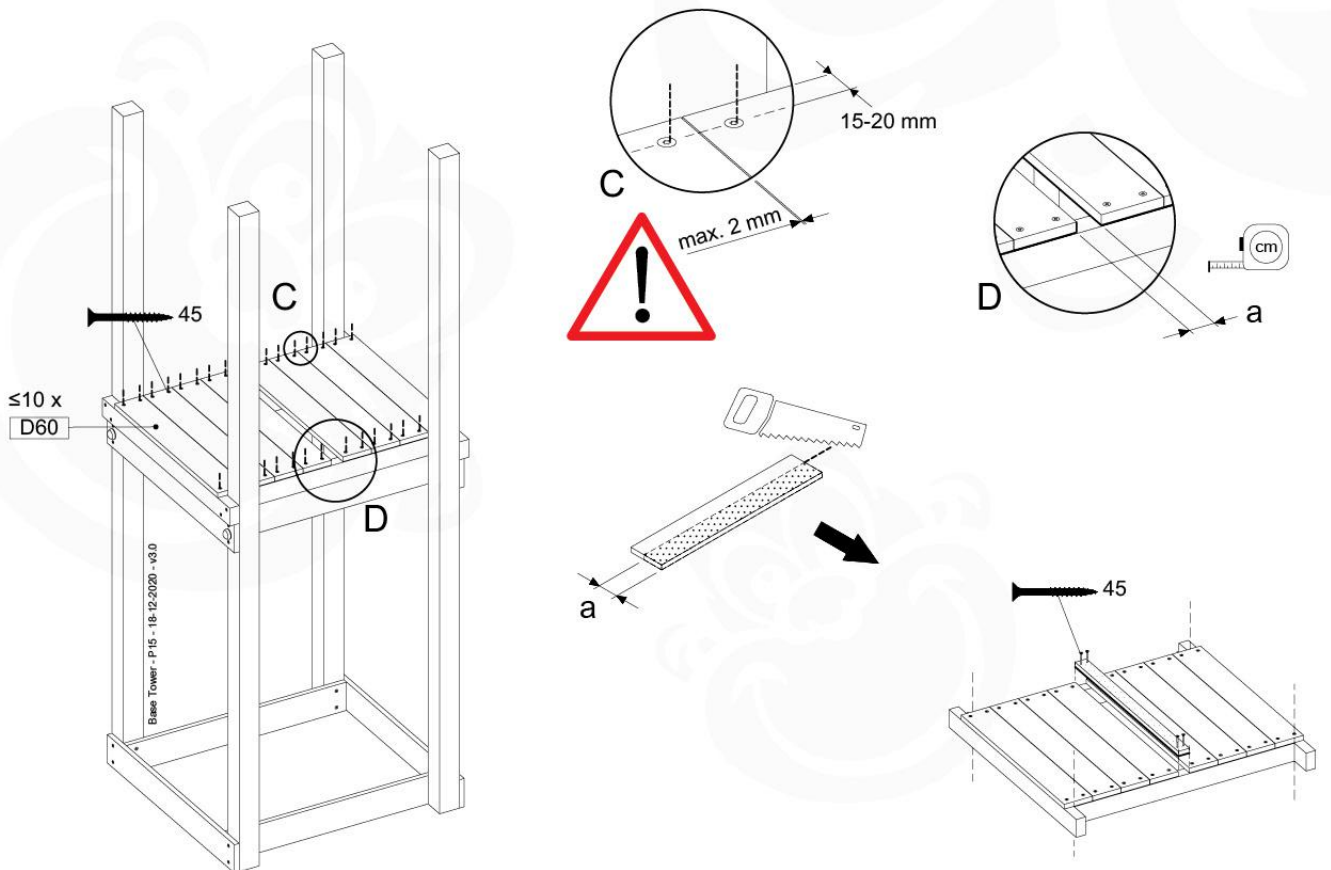
07-1



07-2



07-3



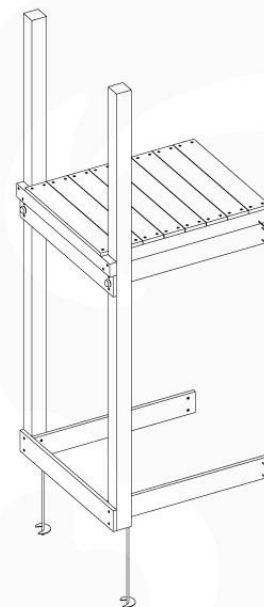
08 Extended Tower

ET01

(194_100)

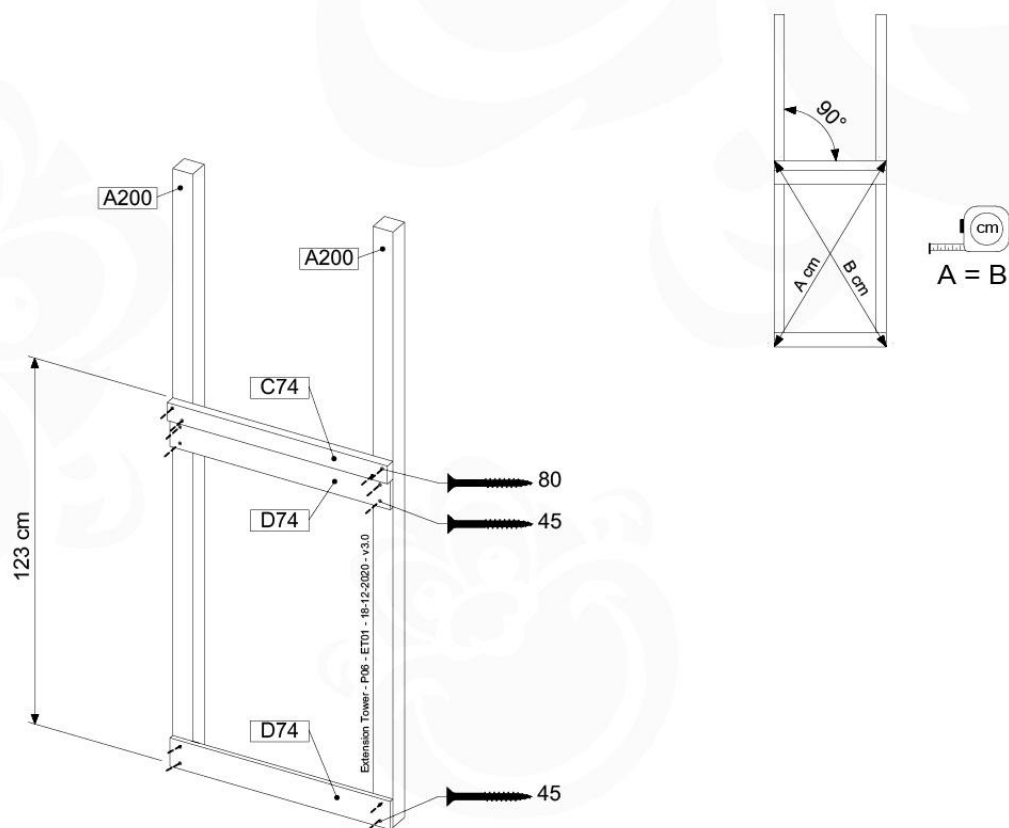
| | PartNo | PartName | QTY. |
|--------------------------|---------|----------------------------|------|
| Hardware Pack 100_600 | 001_406 | Stealth Screw 8x45 | 4 |
| | 002_220 | Gap Point Screw T25 - 5x45 | 60 |
| | 002_223 | Gap Point Screw T25 - 5x80 | 12 |
| Other | 007_001 | Ground-anchor | 2 |
| Hardware Pack 100_600 | 022_31x | bpc-base version 3 | 2 |
| | 022_84x | bpc cover | 2 |
| Wood | A200 | Post 70x70 L2000 | 2 |
| | C74 | Beam 740 mm | 3 |
| | D60 | Board 600 mm | 9 |
| | D74 | Board 740 mm | 6 |

Extension Tower - P02 - ET01 - 18-12-2020 - v3.0

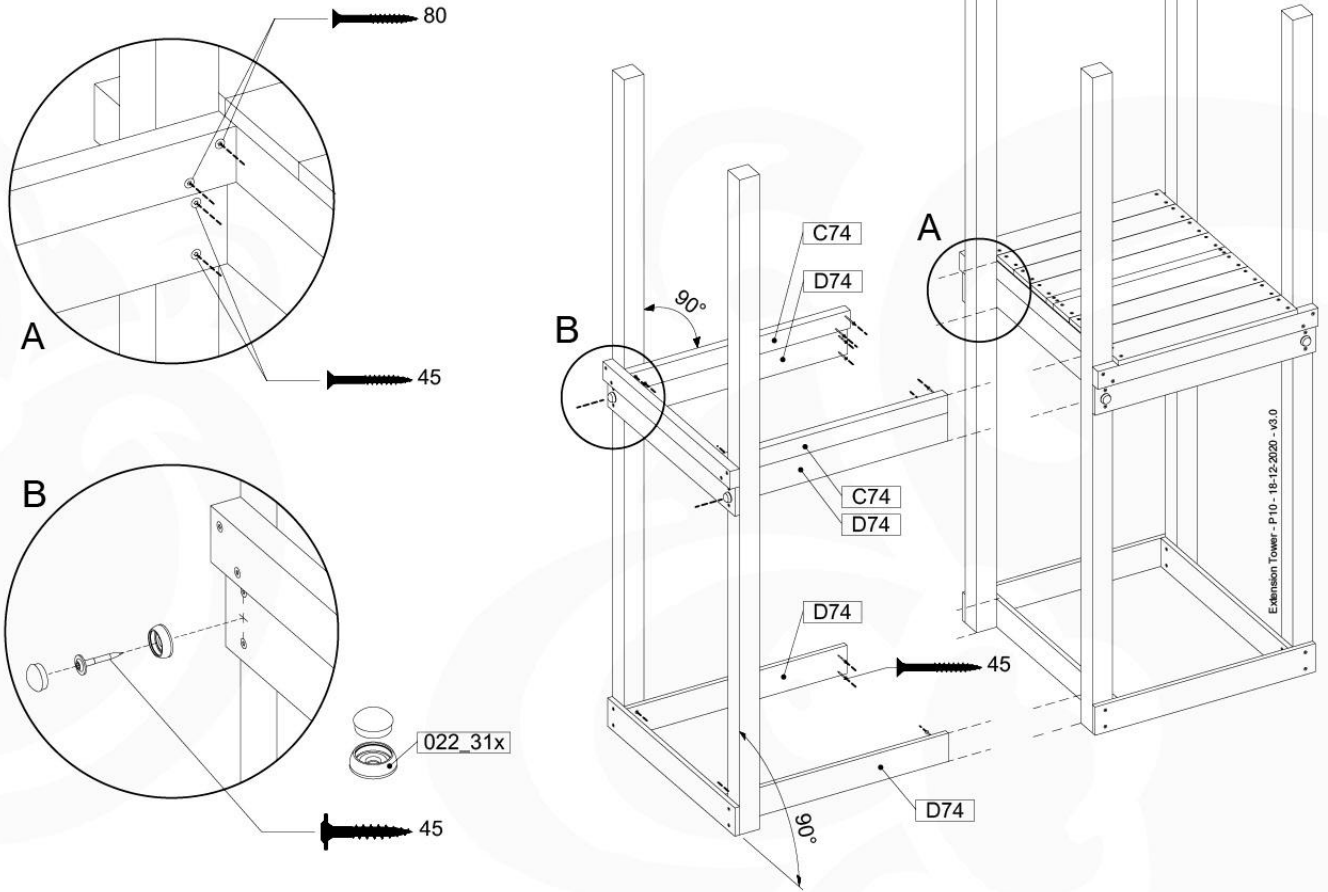


Modular All-Extension Tower

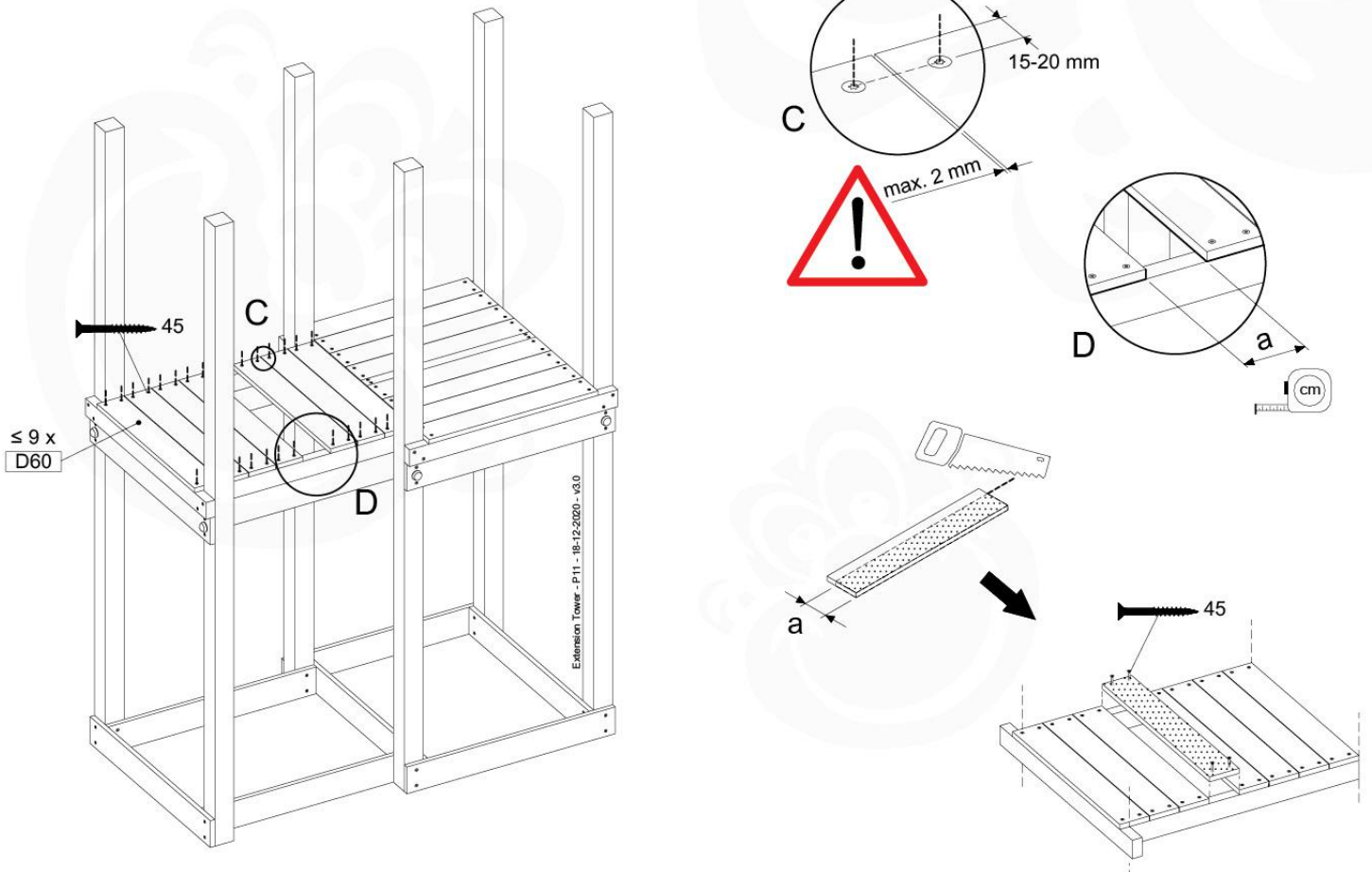
08-1



08-2



08-3



09 Balustrade (1x)

BL01

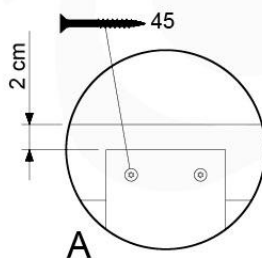
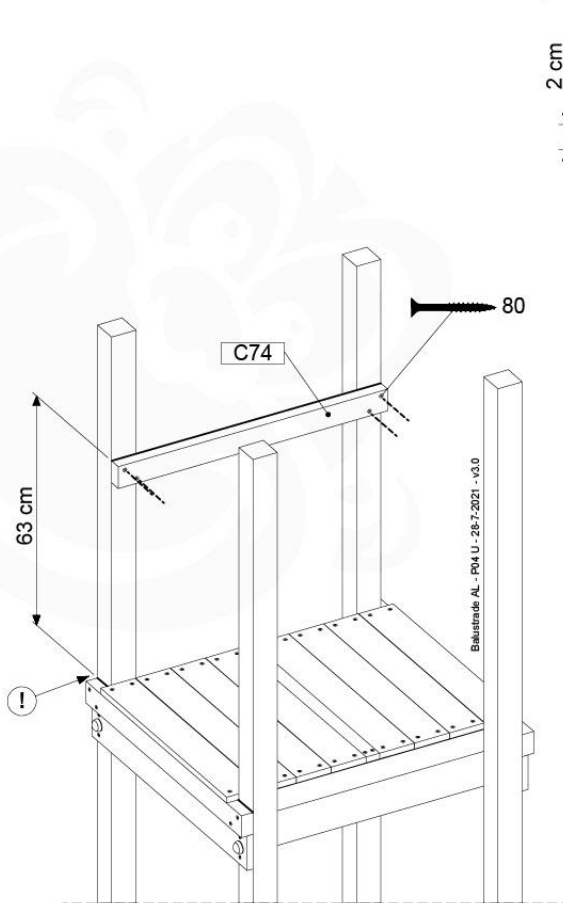
(194_101)

| | PartNo | PartName | QTY. |
|--------------------------|---------|----------------------------|------|
| Hardware Pack 100_601 | 002_220 | Gap Point Screw T25 - 5x45 | 16 |
| | 002_223 | Gap Point Screw T25 - 5x80 | 4 |
| Wood | C74 | Beam 740 mm | 1 |
| | D65 | Board 650 mm | 4 |

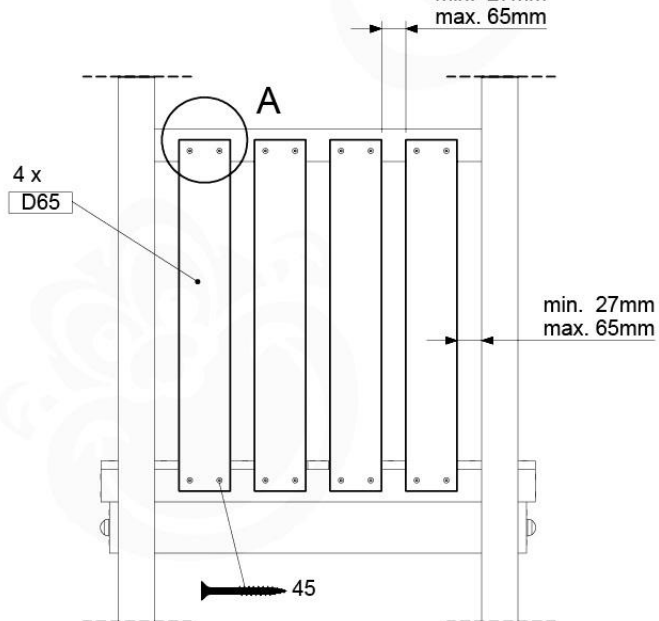
Balustrade AL - P02.U - 28.7.2021 - v3.0



09-1



min. 27mm
max. 65mm



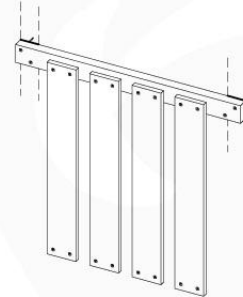
10 Balustrade (2x)

BL02

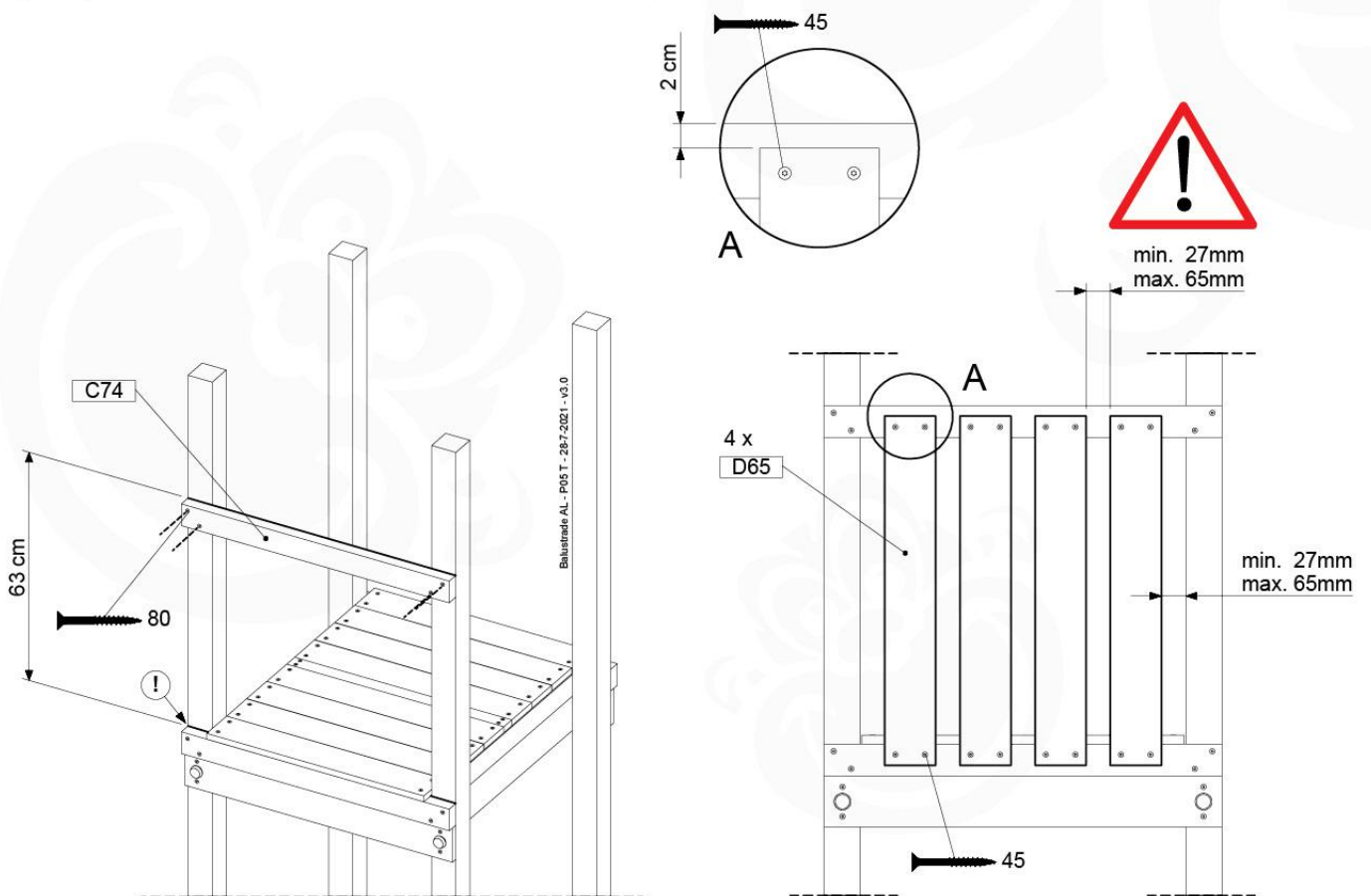
(194_101)

| | PartNo | PartName | QTY. |
|--------------------------|---------|----------------------------|------|
| Hardware Pack 100_601 | 002_220 | Gap Point Screw T25 - 5x45 | 16 |
| | 002_223 | Gap Point Screw T25 - 5x80 | 4 |
| Wood | C74 | Beam 740 mm | 1 |
| | D65 | Board 650 mm | 4 |

Balustrade AL - P03 T - 28-7-2021 - v3.0



10-1



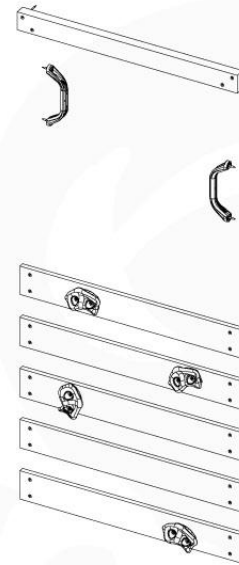
11 Rock Wall

RW01

(194_105)

| | PartNo | PartName | QTY. |
|--------------------------|---------|-----------------------------|------|
| Hardware pack 100_604 | 001_102 | Washer Head Screw T40 M8x30 | 8 |
| | 002_220 | Gap Point Screw T25 - 5x45 | 24 |
| | 002_223 | Gap Point Screw T25 - 5x80 | 4 |
| | 003_010 | M8 spring lock washer | 8 |
| | 004_050 | M8 22mm Drive in Nut | 8 |
| Other | 022_50x | Climbing Rock | 4 |
| | 120_102 | Handgrip set (2x Complete) | 1 |
| Timber | C74 | Beam 740 mm | 1 |
| | D74 | Board 740 mm | 5 |

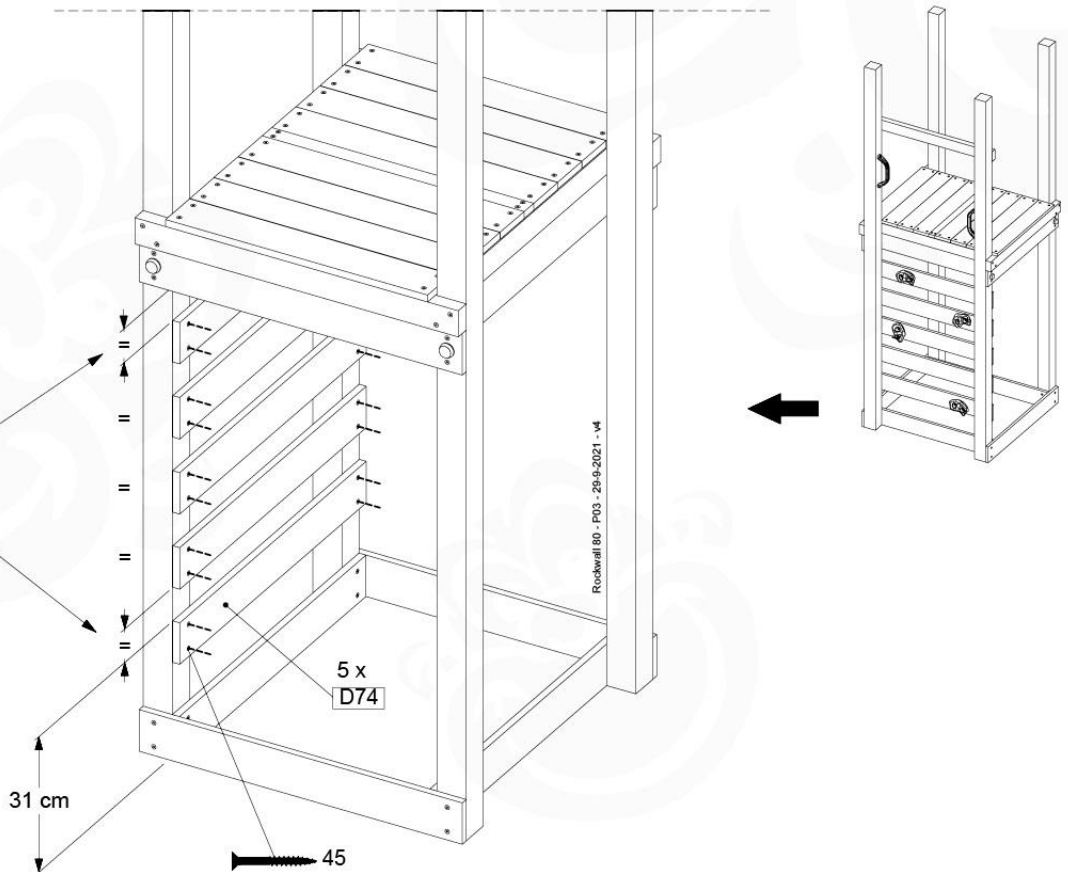
Rockwall 80 - P02 - 29-9-2021 - v4



11-1

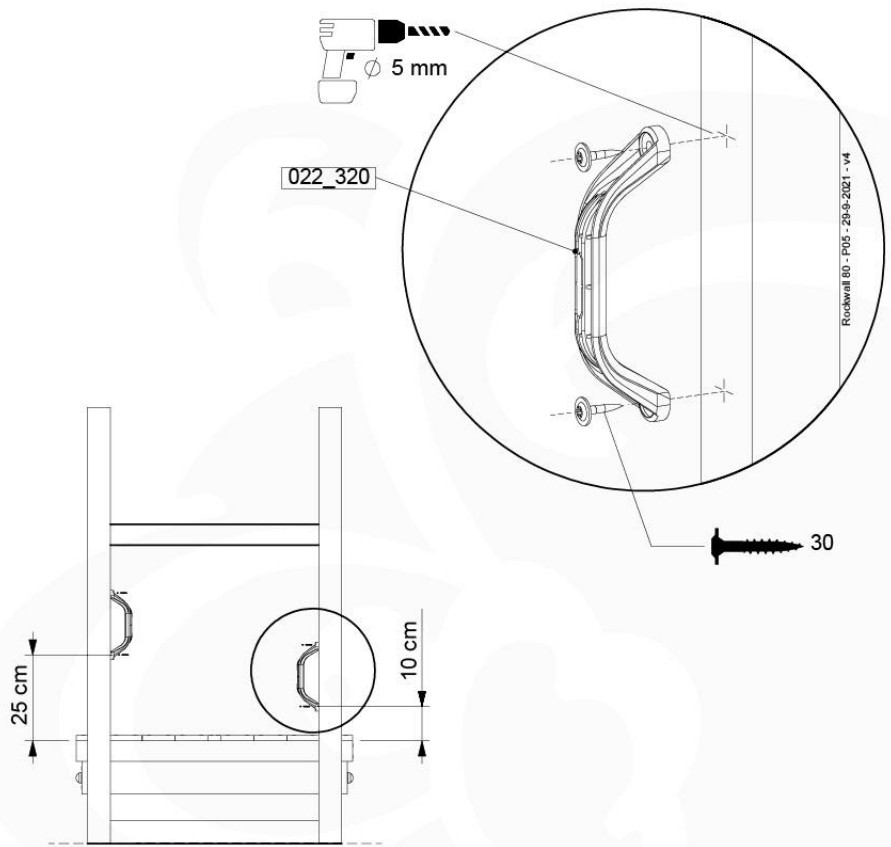
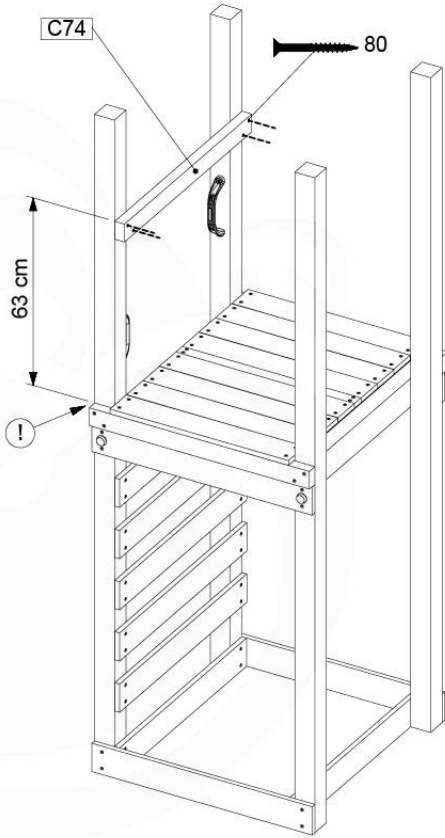


min. 2,6 cm
max. 8,8 cm

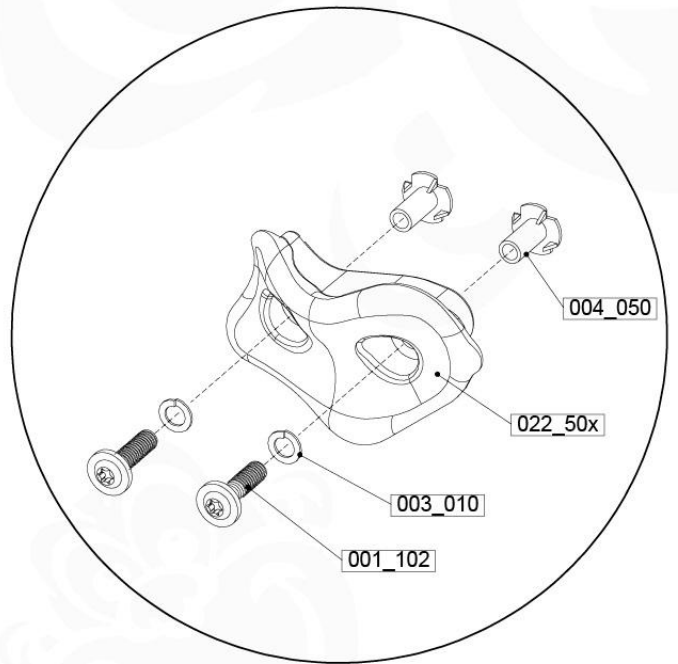
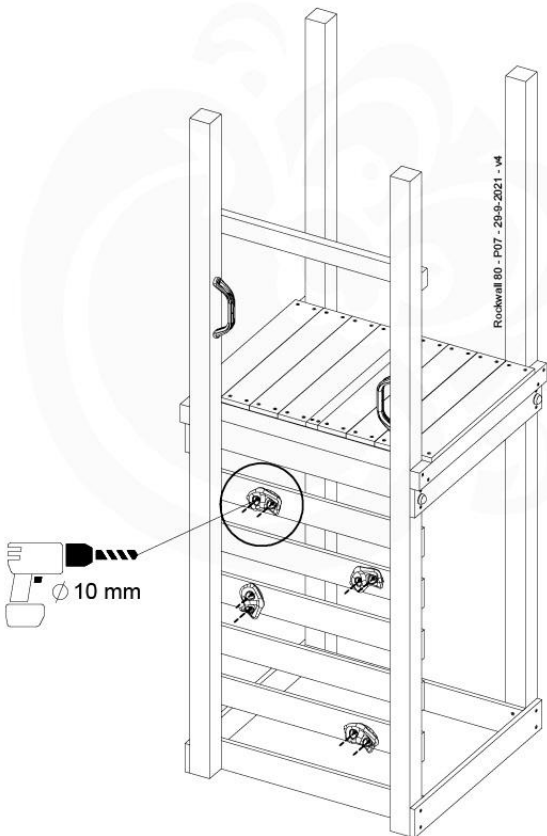


Rockwall 80 - P03 - 29-9-2021 - v4

11-2



11-3



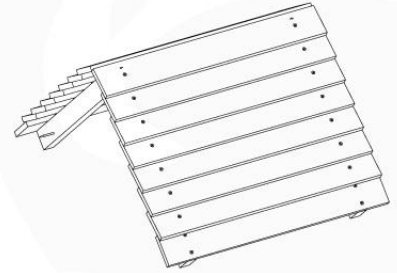
12 Roof Clapboard

RF01

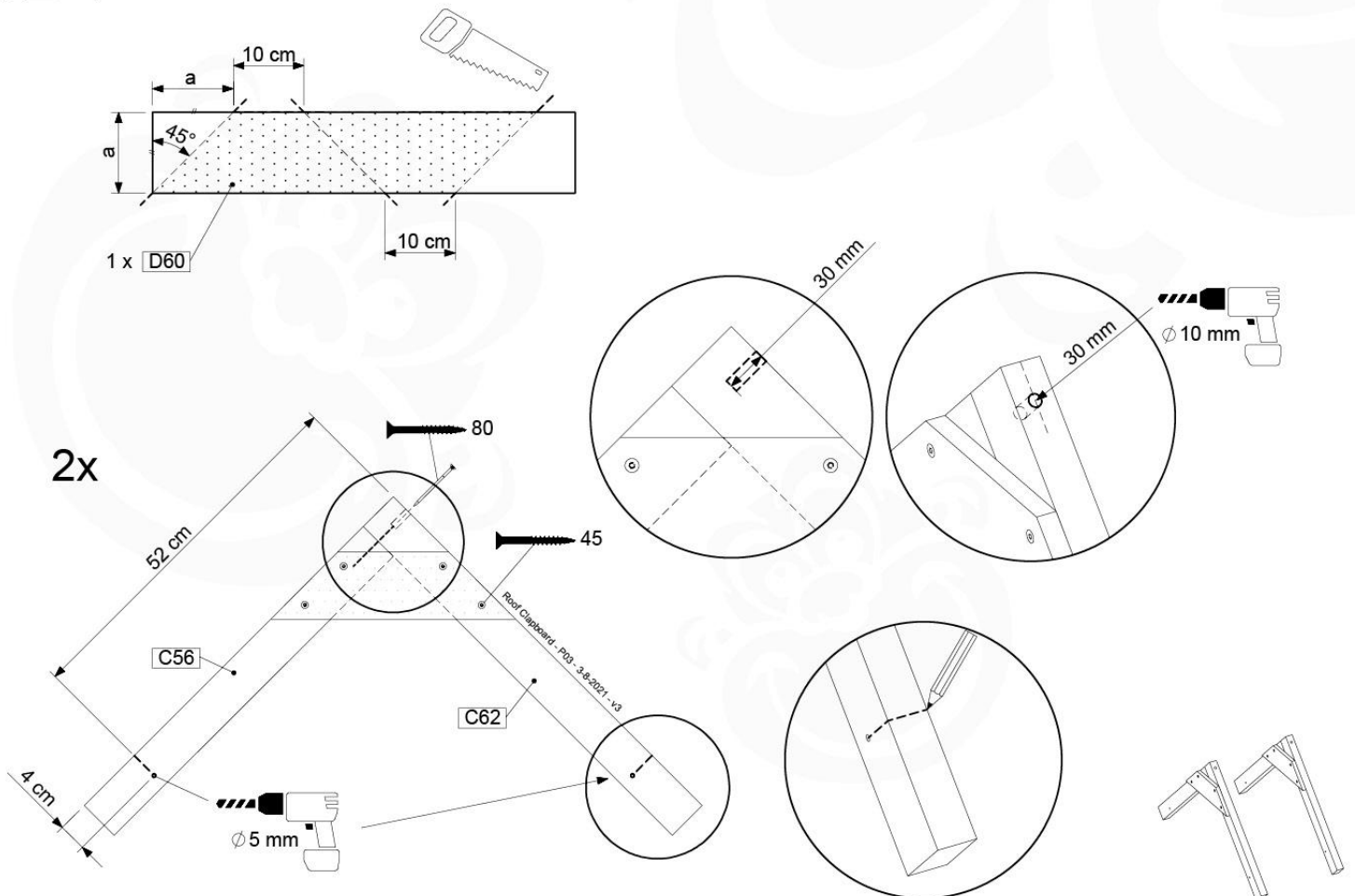
(194_111)

| | PartNo | PartName | QTY. |
|--------------------------|---------|----------------------------|------|
| Hardware Pack 100_609 | 001_417 | Stealth Screw 8x80 | 4 |
| | 002_220 | Gap Point Screw T25 - 5x45 | 48 |
| | 002_223 | Gap Point Screw T25 - 5x80 | 2 |
| Timber | C56 | Beam 550 mm | 2 |
| | C62 | Beam 620 mm | 2 |
| | D60 | Board 600 mm | 1 |
| | D74 | Board 740 mm | 16 |

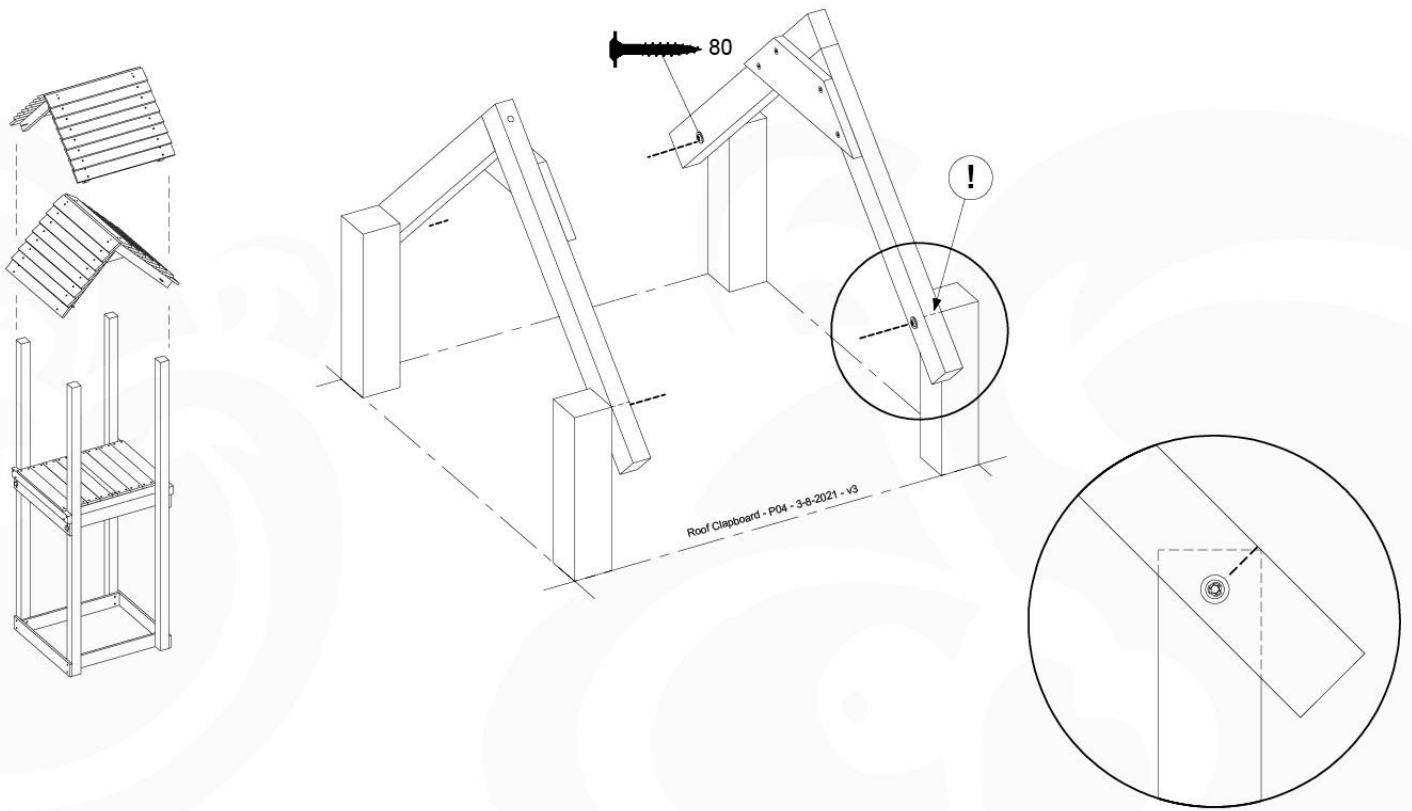
Roof Clapboard - P02 - 3-8-2021 - v3



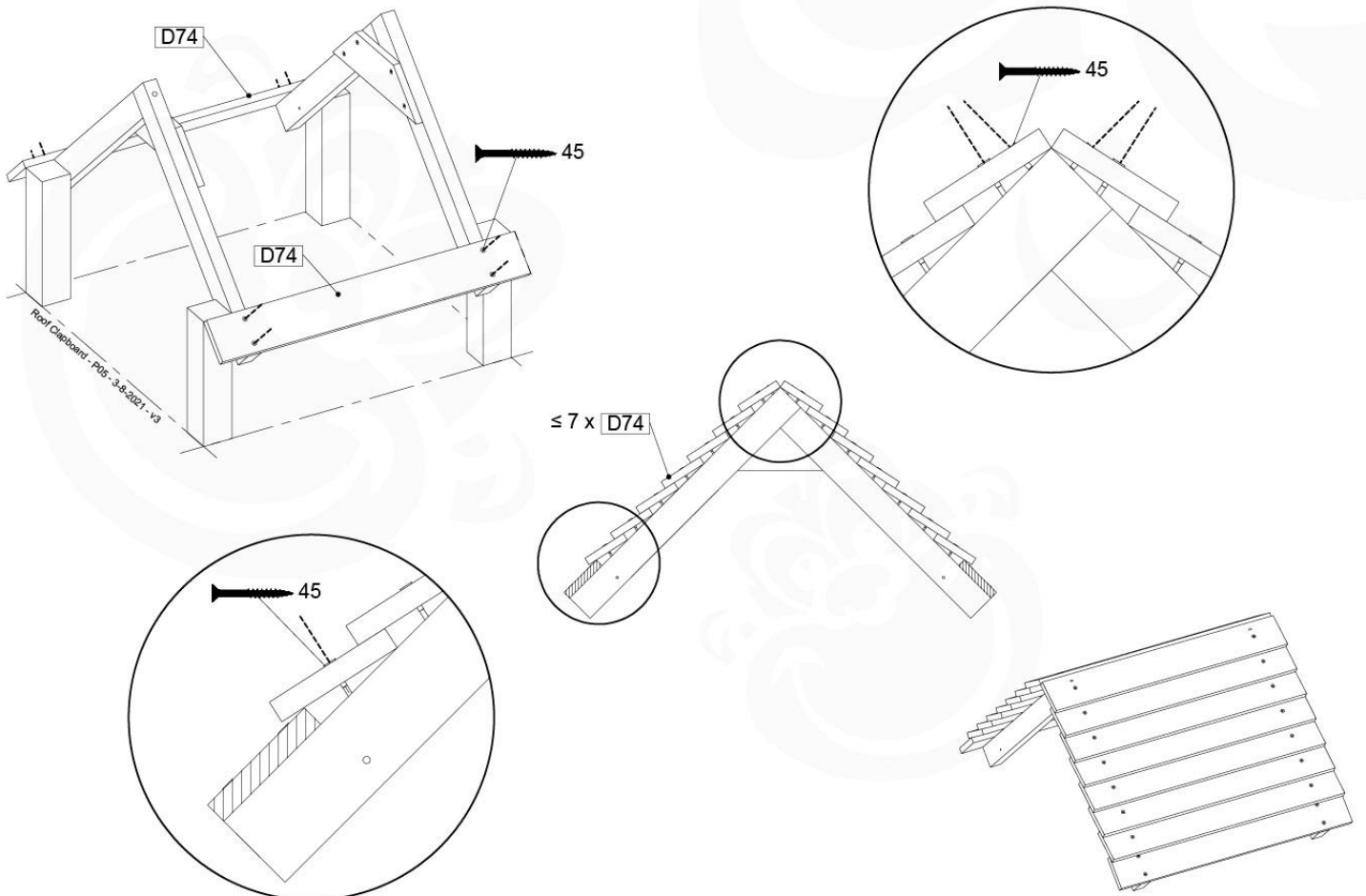
12-1



12-2



12-3



13 Ladder

LA02

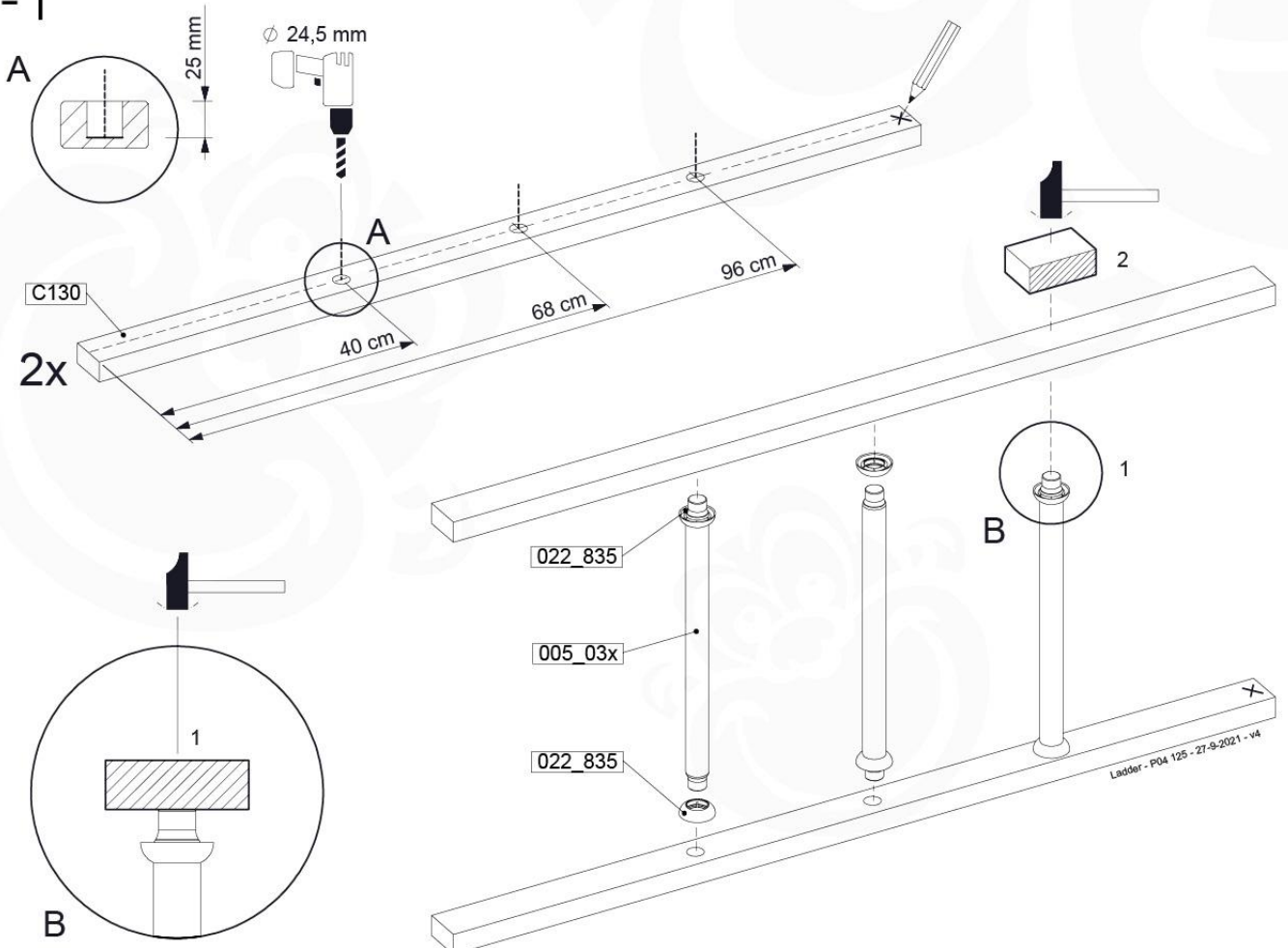
(194_103)

| | PartNo | PartName | QTY. |
|--------------------------|---------|--------------------------------|------|
| Hardware Pack 100_603 | 001_404 | Stealth Screw 8x30 | 4 |
| | 002_219 | Gap Point Screw T25 - 5x30 | 4 |
| | 002_220 | Gap Point Screw T25 - 5x45 | 6 |
| | 002_223 | Gap Point Screw T25 - 5x80 | 4 |
| Other | 005_03x | Ladder Rung Y/B/G/R | 3 |
| | 005_522 | Connection Bracket Mini Market | 2 |
| | 022_835 | Rung Cap | 6 |
| | 120_102 | Handgrip set (2x Complete) | 1 |
| Wood | C74 | Beam 740 mm | 1 |
| | C130 | Beam 1300 mm | 2 |

Ladder - P02 125 - 27-9-2021 - v4

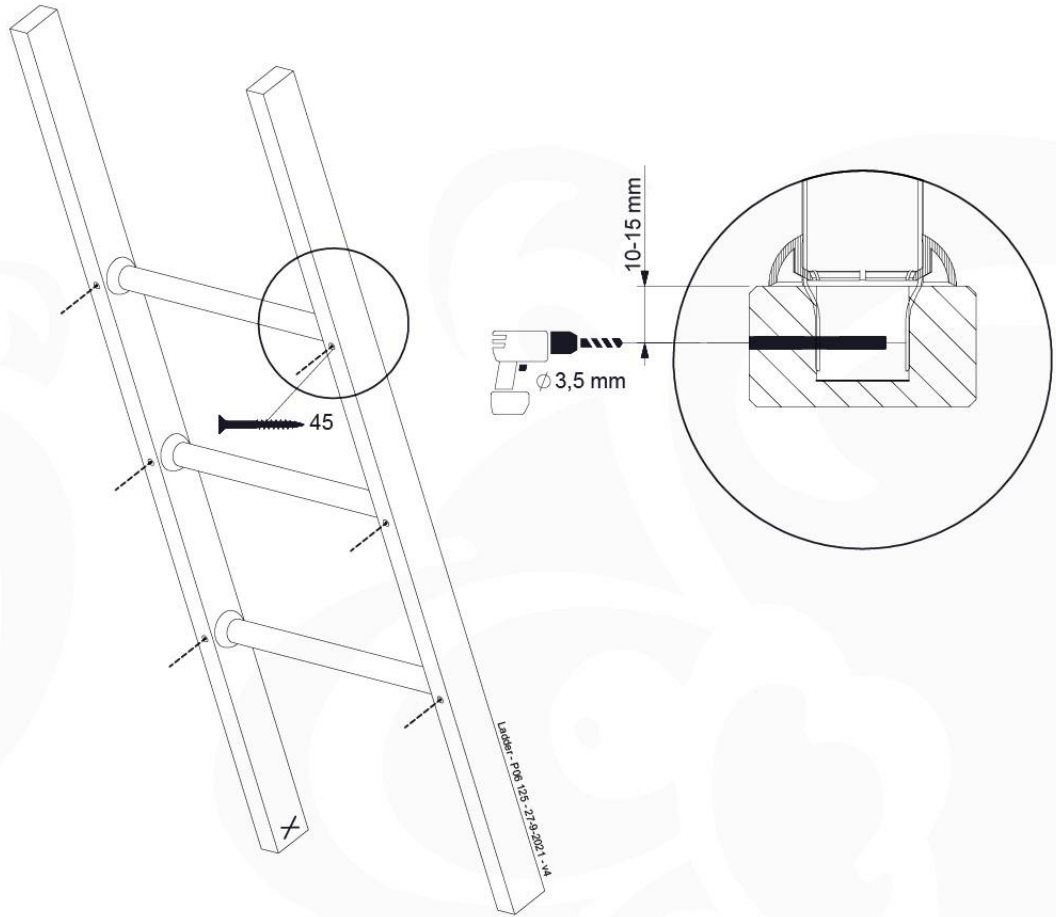


13-1

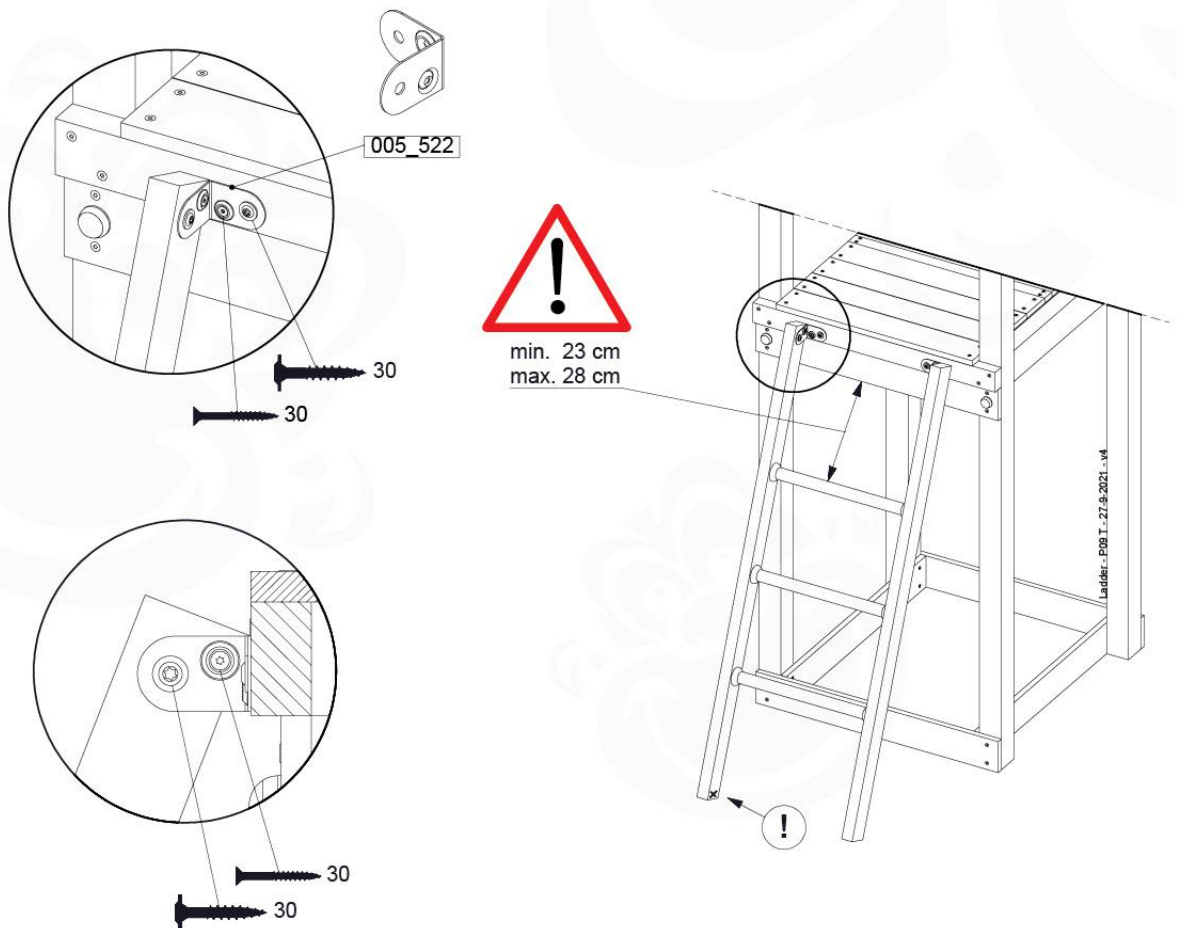


Ladder - P04 125 - 27-9-2021 - v4

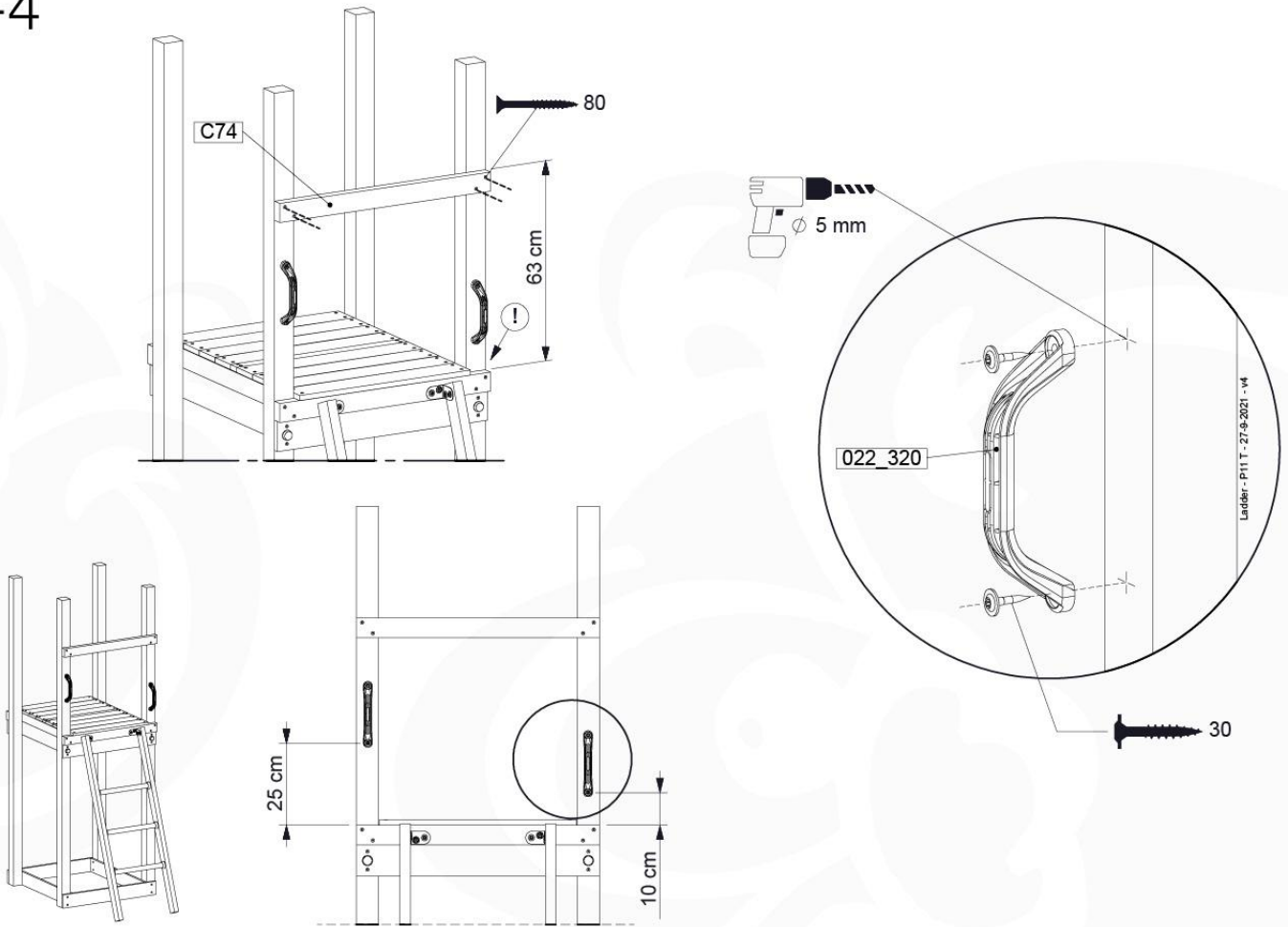
13-2



13-3



13-4



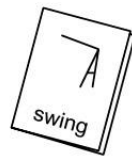
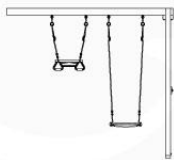
14 Swing Frame / Climb Frame



15



+

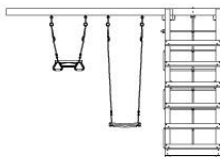


15

1-Swing frame / 2-Swing frame
457_101
457_102



+



15

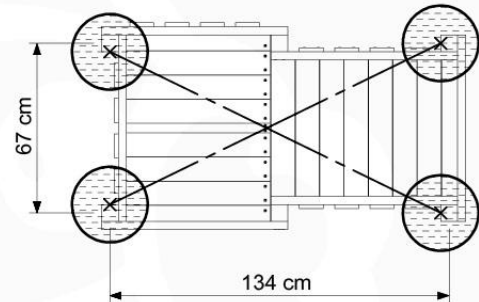
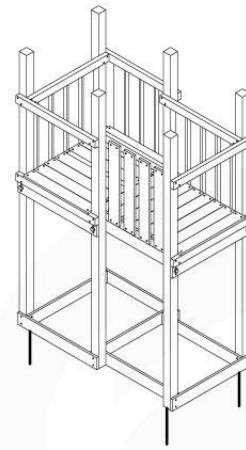
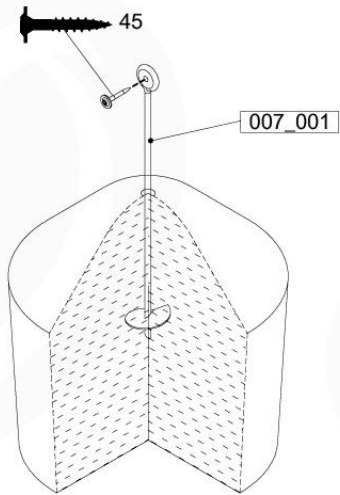
1-Climb frame / 2-Climb frame
457_105
457_106

15 Ground Anchors

GA02

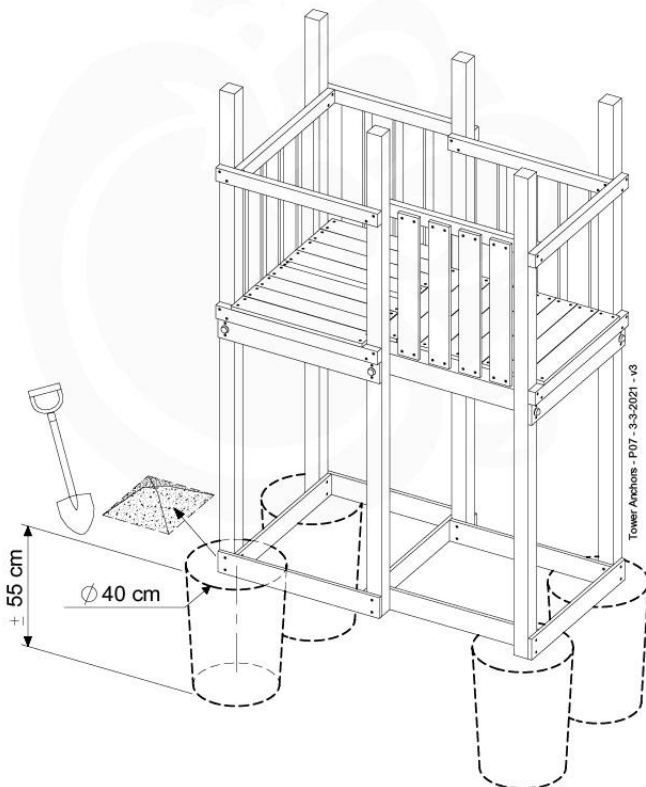
Parts:

Assembly Package Tower
194_100

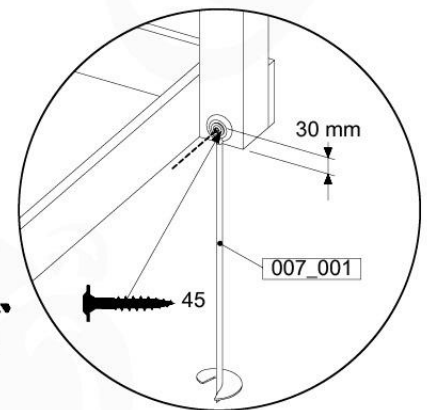


Tower Anchors - P03 - 3-3-2021 - v3

15-1



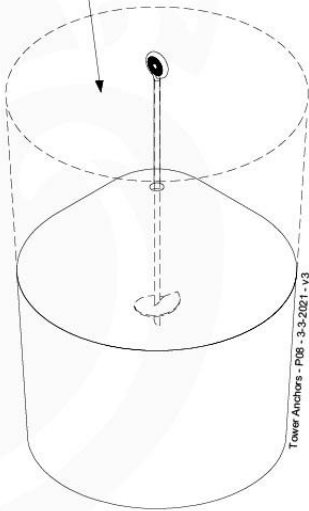
Tower Anchors - P07 - 3-3-2021 - v3



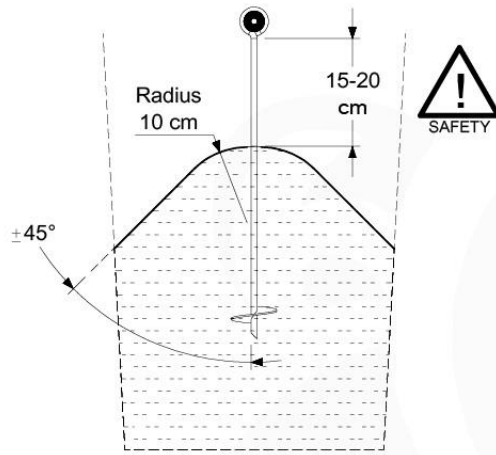
15-2



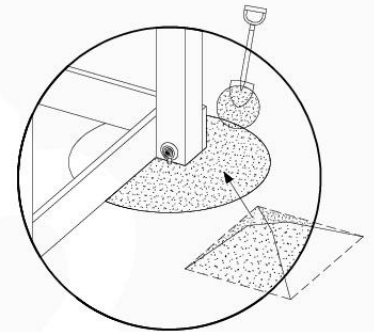
40 L / 80 kg



Tower Anchors - P06 - 3-3-2021 - v3



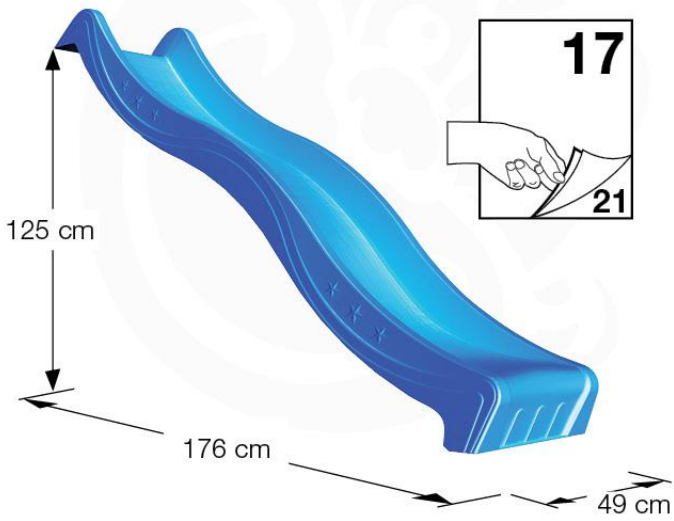
24h ↓



16 Add-on

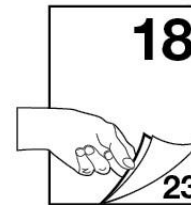
Wavy Star Slide XL

- 324_100 Yellow
- 324_200 Blue
- 324_300 Green
- 324_400 Red
- 324_500 Fuchsia
- 324_600 Dark Green



Fireman's Pole

201_275



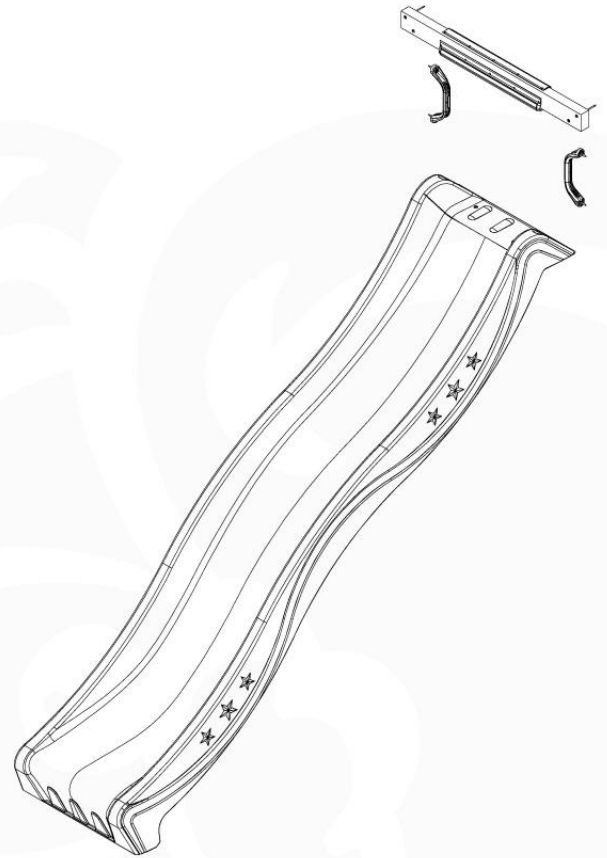
17 Slide Set

SL01

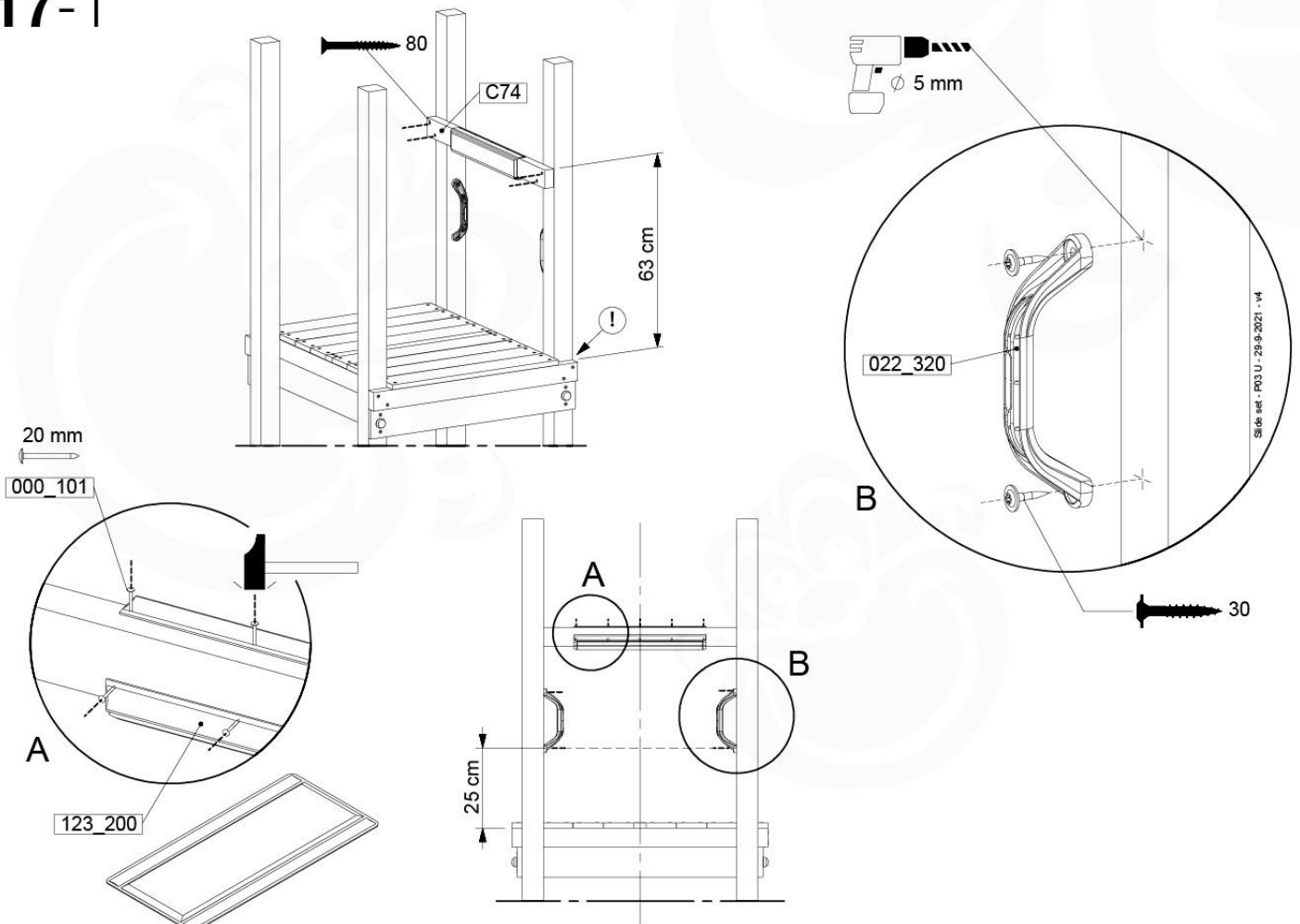
(194_107)

| | PartNo | PartName | QTY. |
|--------------------------|--------------------|--|------|
| Hardware Pack 100_605 | 000_101 | Nail Pan Head | 10 |
| | 002_223 | Gap Point Screw T25 - 5x80 | 4 |
| | 002_308 | Gap Point Screw T25 - 5x20 | 2 |
| Other | 120_102 | Handgrip set (2x Complete) | 1 |
| | 123_200 | Bumperpad | 1 |
| | 324_xxx 334_xxx | Wavy Star Slide XL 2200 mm / Wavy Star Slide XL 2650 mm | 1 |
| Timber | C74 | Beam 740 mm | 1 |

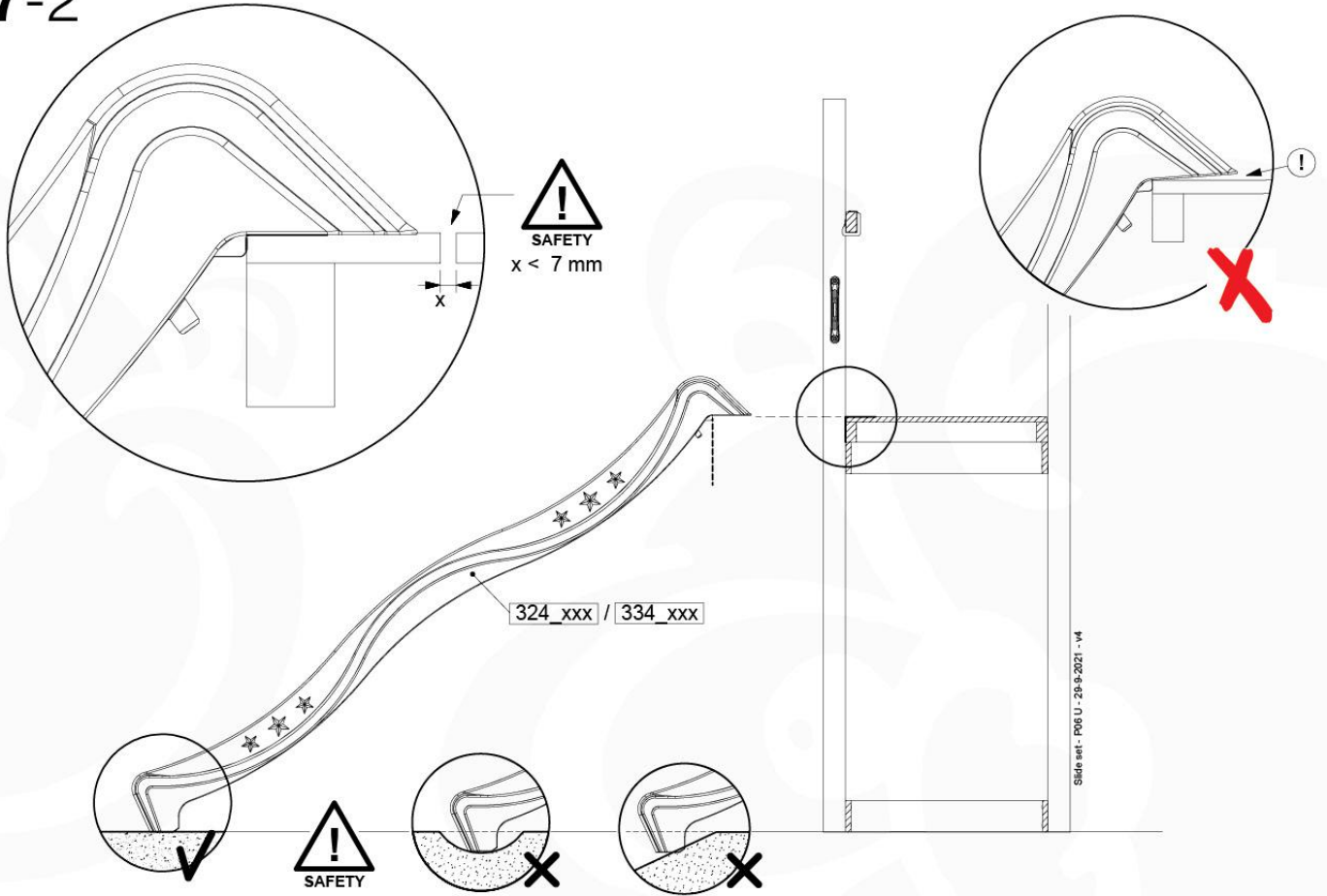
Slide set - P02 - 29-9-2021 - v4



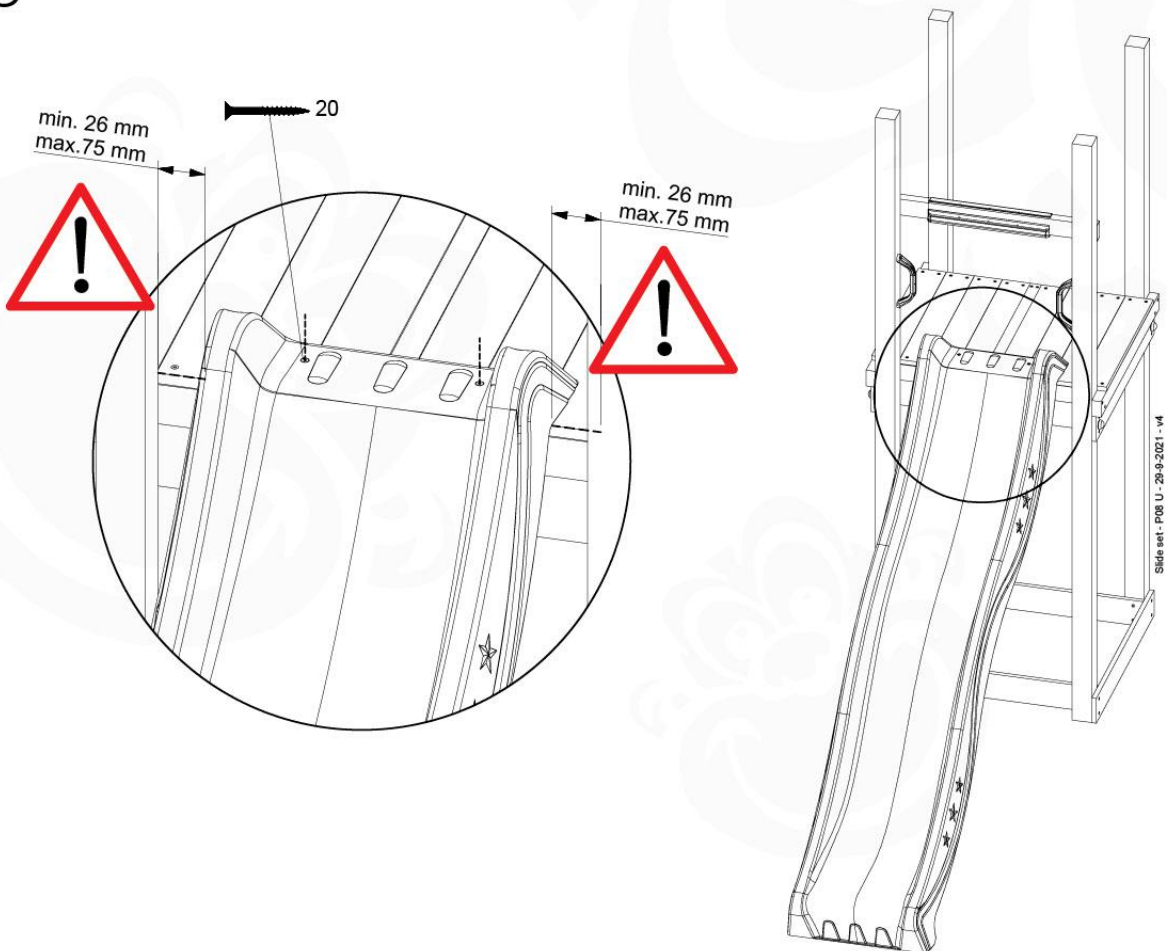
17-1



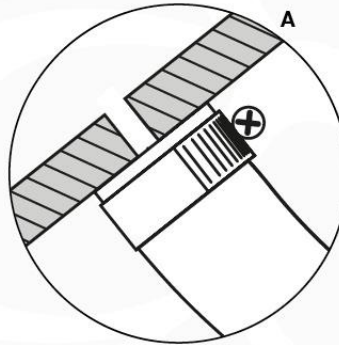
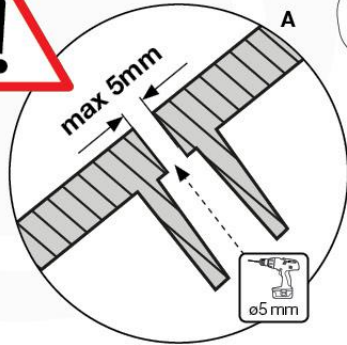
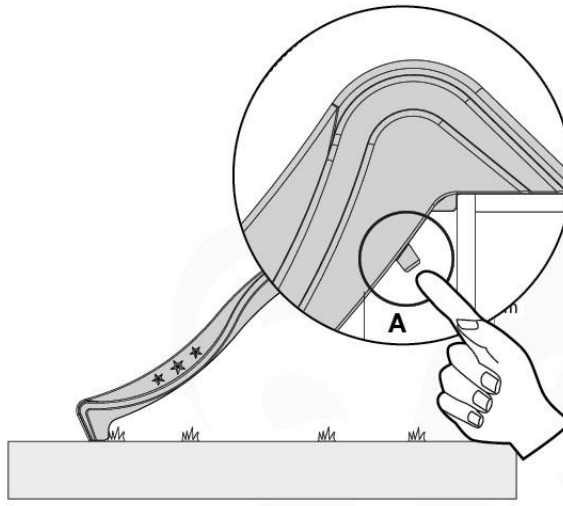
17-2



17-3



17-4



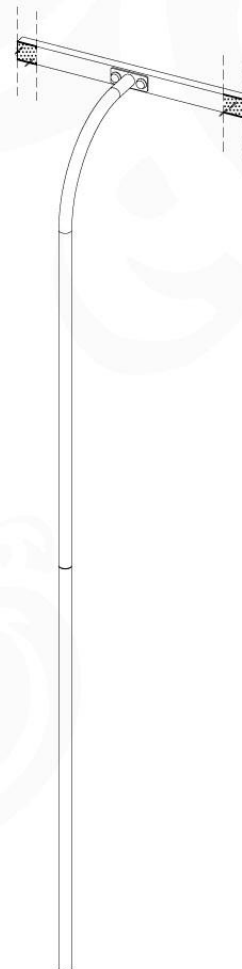
18 Firemans Pole

FP01

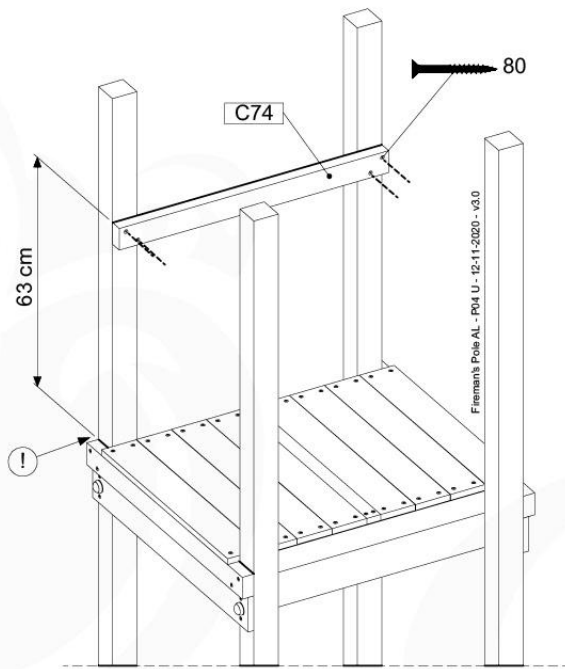
(201_275)

| | PartNo | PartName | QTY. |
|--------------------------|---------|----------------------------|------|
| Hardware Pack 100_346 | 001_103 | M8 Washer Head Screw 40mm | 2 |
| | 002_223 | Gap Point Screw T25 - 5x80 | 4 |
| | 003_010 | M8 spring lock washer | 2 |
| | 003_040 | M8 Washer | 2 |
| | 004_052 | M8 Drive-in Nut 30mm | 2 |
| | 004_054 | M8 Drive-in Nut 45mm | 2 |
| | 022_31x | bpc-base version 3 | 2 |
| | 022_84x | bpc cover | 2 |
| Other | 102_915 | Fireman's Pole | 1 |
| Timber | C74 | Beam 740 mm | 1 |

Fireman's Pole AL - P102 U - 12-11-2020 - v3.0



18-1



Fireman's Pole (201_275)
040_335 Part 2

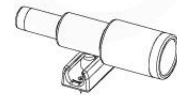
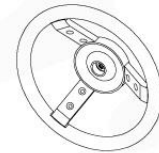
19 Accessories

AC01

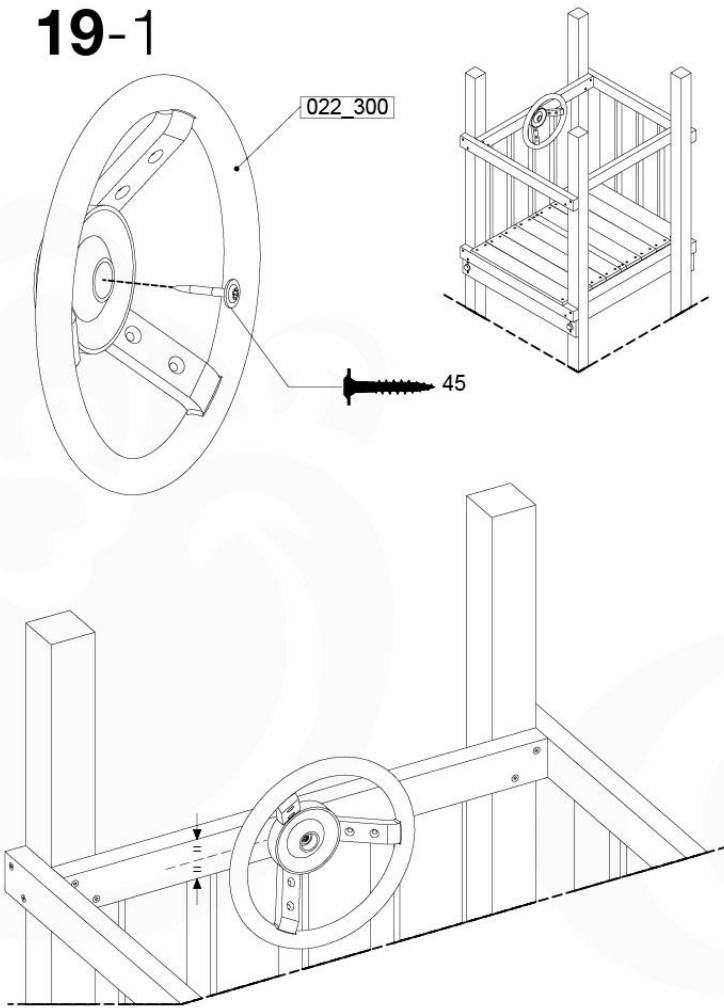
(194_119)

| | PartNo | PartName | QTY. |
|--------------------------|---------|-----------------------------|------|
| Hardware Pack 100_617 | 001_406 | Stealth Screw 8x45 | 1 |
| | 002_041 | Dome head screw 4.5 x 20 mm | 3 |
| | 002_042 | Dome head screw 3.5 x 13mm | 4 |
| | 002_219 | Gap Point Screw T25 - 5x30 | 2 |
| Other | 022_300 | Steering Wheel | 1 |
| | 022_800 | Rail P/T 105 | 1 |
| | 022_910 | Sandpad | 1 |
| | 103_901 | Logo ID Plate | 1 |
| | 104_107 | Tool Set Climbing Units | 1 |
| | 120_024 | Tower Flag | 1 |
| | 122_302 | Telescope | 1 |

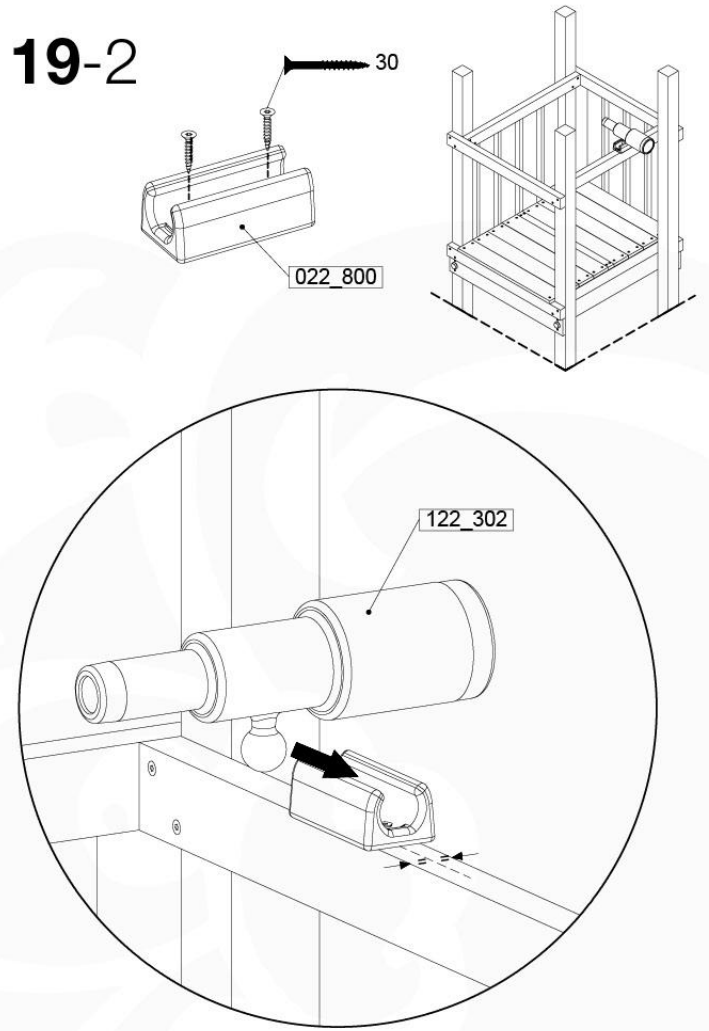
Accessory set - P02 - 29-9-2021 - v4



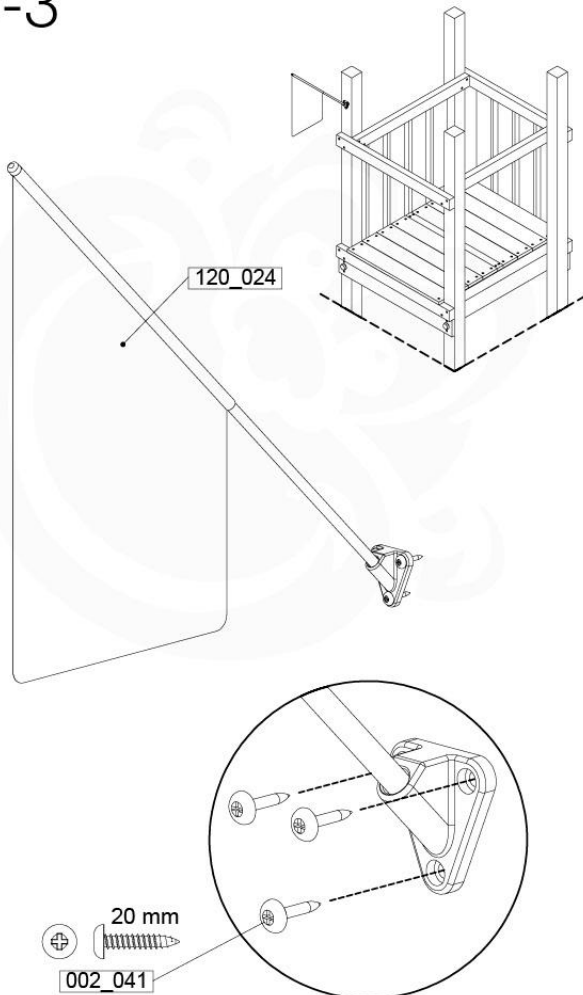
19-1



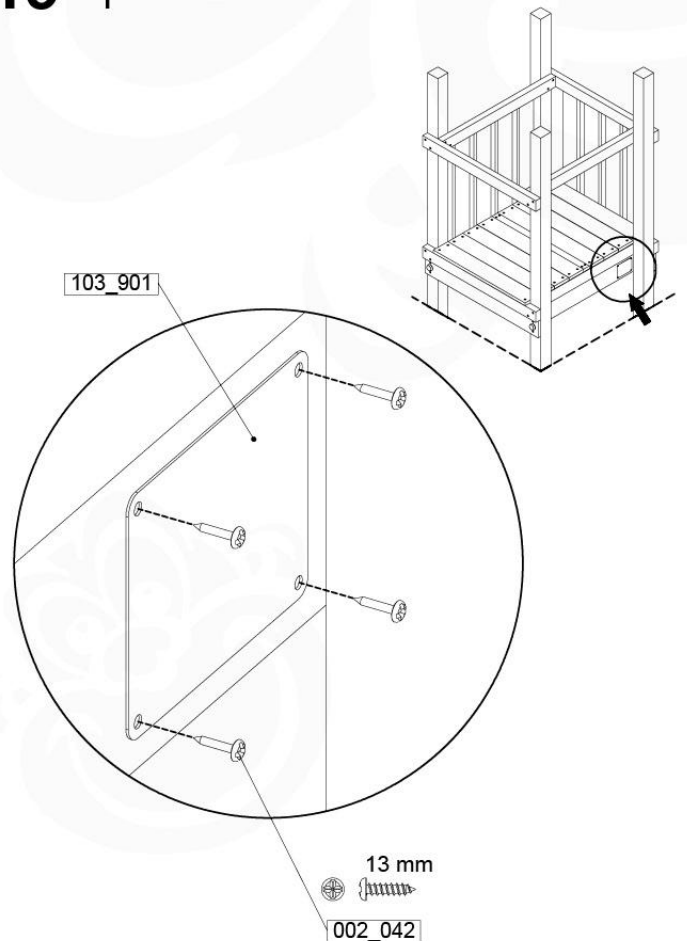
19-2



19-3

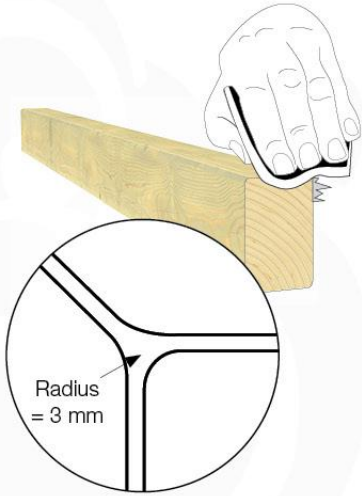
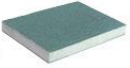


19-4



19-5

1x
022_910



20

