

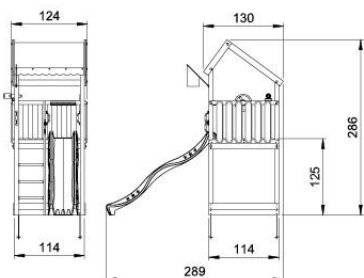
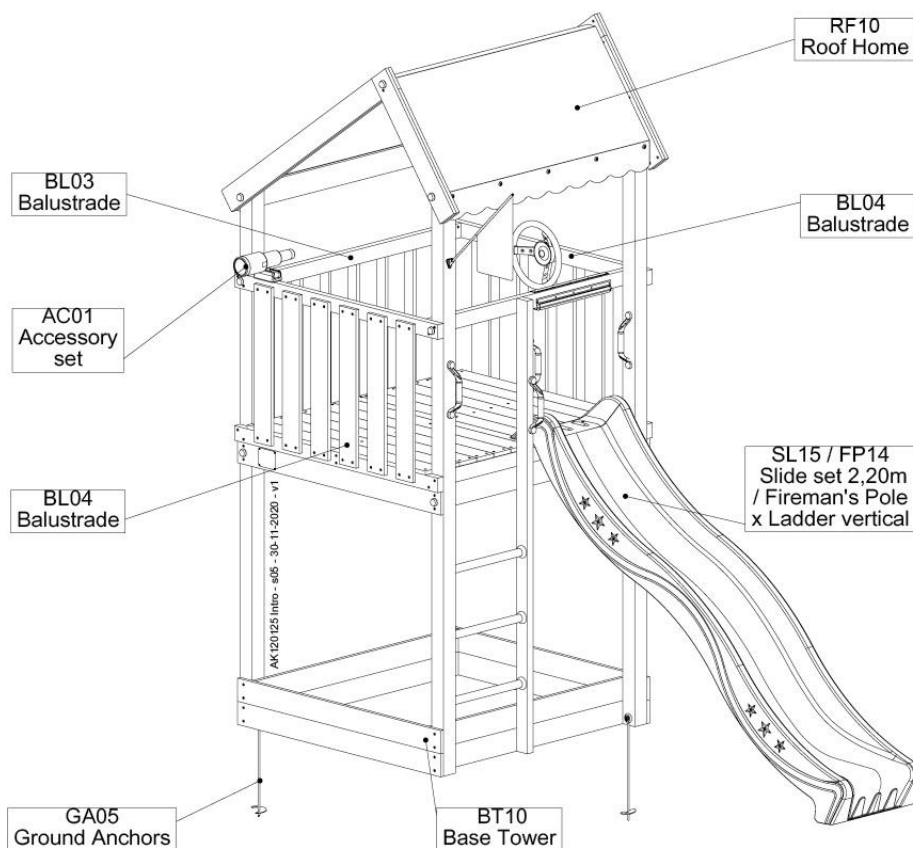
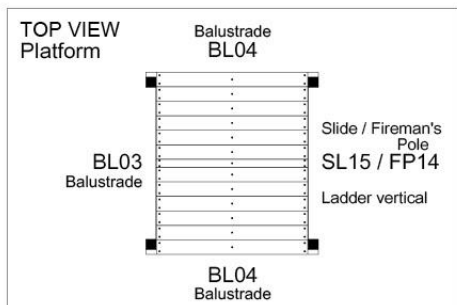
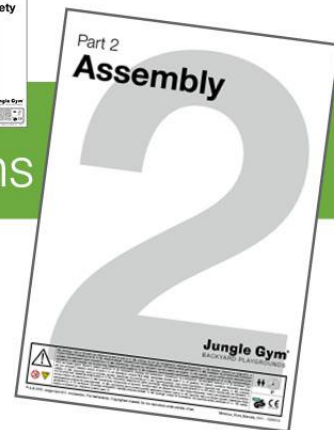
# Part 2

# Assembly

# Instructions

# Jungle Home 2.1

801\_128



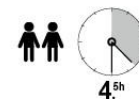
# Jungle Gym

BACKYARD PLAYGROUNDS

since 1988



**EN.** Warnings. Only for domestic use. Maximum number of users is 6. **DE.** Achtung. Nur für den Hausgebrauch. Maximale Benutzerzahl: 6. **FR.** Attention. Réserve à un usage familial. Le nombre maximal d'utilisateurs est de 6. **NL.** Waarschuwingen. Uitsluitend voor huishoudelijk gebruik. Het maximale aantal gebruikers is 6. **BG.** Внимание. За употреба само в домашни условия. Максималният брой потребители е 6. **CS.** Varování. Jen pro domácí použití. Maximální počet uživatelů je 6. **DA.** Advarsel. Kun til privat brug. Maksimum antal brugere er 6. **EL.** Προειδοποίησης. Μόνο για οικιακή χρήση. Μέγιστος αριθμός χρηστών 6. **ES.** Advertencias. Solo para uso doméstico. Número máximo de usuarios: 6. **ET.** Holatused. Ainult koduseks kasutamiseks. Maksimaalne kasutajate arv on 6. **FI.** Varoitukset. Ainoastaan kotikäyttöön. Käyttäjää yhteensä enintään 6. **HR.** Upozorenja. Samo za kućansku uporabu. Maksimalan broj korisnika je 6. **HU.** Figyelmeztetések. Csak otthoni használatra! A használók max. száma: 6. **IS.** Varnaðarorð. Eingöngu fyrir einkanoðkun í heimahúsum og á einkalóðum. Hámarksfjöldi notenda er 6. **IT.** Avvertenze. Solo per uso domestico. Massimo numero di utenti è 6. **LT.** Įspėjimai. Tik būtinai namuose naudoti. Maksimalus naudotojų skaičius 6. **LV.** Brīdinājumi. Izmantoj tikai mājās. Maksimālais lietotāju skaits ir 6. **NO.** Advarsel. Kun for privat bruk. Maksimalt antall brukere er 6. **PL.** Ostrzeżenia. Wyłącznie do użytku domowego. Maksymalna liczba użytkowników to 6. **PT.** Avisos. Apenas para uso doméstico. O número máximo de utilizadores é 6. **RO.** Avertismente. Numai pentru uz domestic. Numărul maxim de utilizatori este 6. **RU.** Предостережения. Только для домашнего использования. Максимальное количество пользователей - 6. **SK.** Upozornenia. Iba na domáce použitie. Maximálne množstvo osôb je 6. **SL.** Opozorila. Samo za domačo uporabo. Maksimalno število uporabnikov je 6. **SR.** Upozorenja. Samo za kućnu upotrebu. Maksimalan broj korisnika je 6. **SV.** Varningar. Endast för hemmabruk. Det maximala antalet användare är 6. **TR.** Uyarılar. Sadece ev kullanımı için. Maksimum kullanıcı sayısı 6.



# 01 What's in the delivery?

401\_125

<p>1x 040_805 1x 040_036</p>	<p>1x 022_300</p>	<p>1x 120_024</p>	<p>2x 007_001</p>	<p>2x 120_102 4x 022_320 8x 001_404</p>
<p>1x 103_901 1x 123_200</p>	<p>1x 122_302 1x 022_800</p>	<p>3x 005_03x 6x 022_835</p>	<p>1x 104_107</p>	<p>1x 100_051</p>
<p>1x 022_910</p>	<p>2x 005_522</p>		<p>1x 123_222</p>	<p>1x 201_275 1x 324_x00</p>

# 02 Hardware

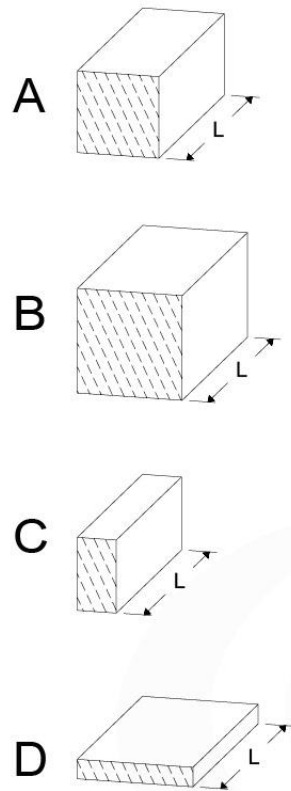
Total HWP 100\_xxx Jungle Home

20211004

001_417	<b>10x</b>		ø8 x 80mm	000_101	<b>10x</b>		ø2 x 20mm
001_406	<b>7x</b>		ø8 x 45mm	023_031	<b>10x</b>		ø5mm
001_404	<b>4x</b>		ø8 x 30mm	120_005	<b>14x</b>		M8
002_223	<b>39x</b>		ø5 x 80mm				
002_220	<b>222x</b>		ø5 x 45mm				
002_219	<b>34x</b>		ø5 x 30mm				
002_308	<b>12x</b>		ø5.0 x 20mm				
002_041	<b>3x</b>		ø4.5 x 20mm				
002_042	<b>4x</b>		ø3.5 x 13mm				

# 03 Timber

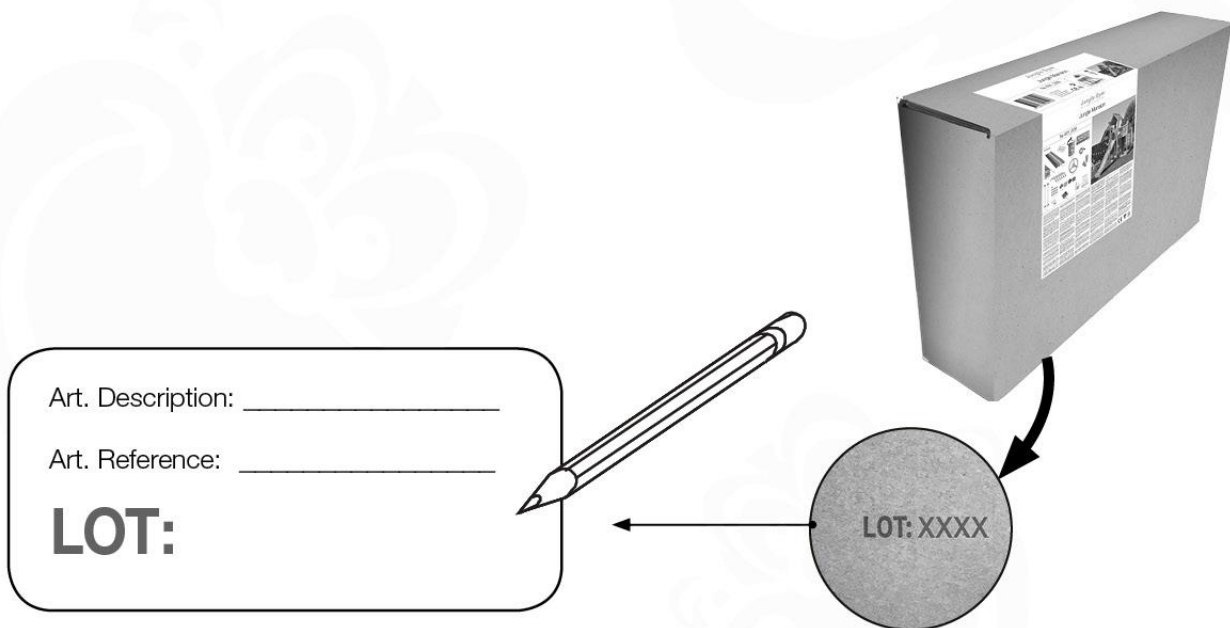
601\_128 Jungle Home 2.1



	L	
A240 A220	239cm - 240cm 219cm - 220cm	2 x 2 x
-	-	-
C186 C114	185cm - 186cm 113cm - 114cm	1 x 10 x
D114 D105 D100 D65 D56	113cm - 114cm 102cm - 105cm 99cm - 100cm 64cm - 65cm 53cm - 56cm	16 x 2 x 11 - 14 x 20 x 2 x

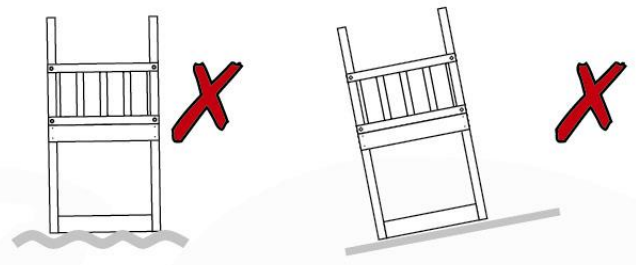
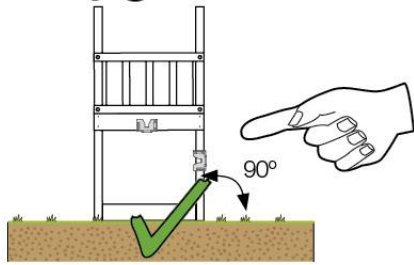
output: 31/05/21

# 04 Product Identification

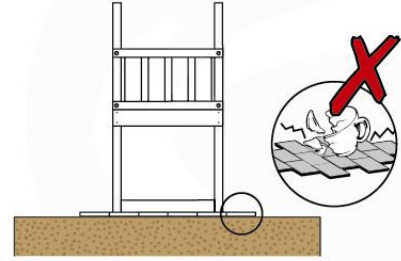
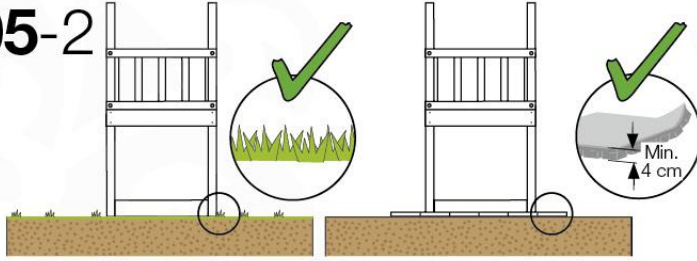


# 05 Safe Playground

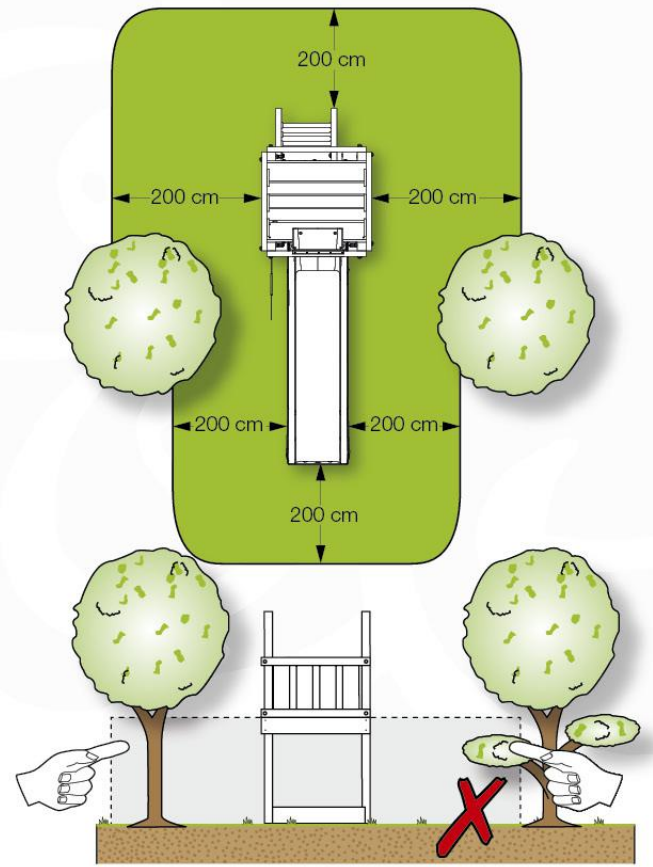
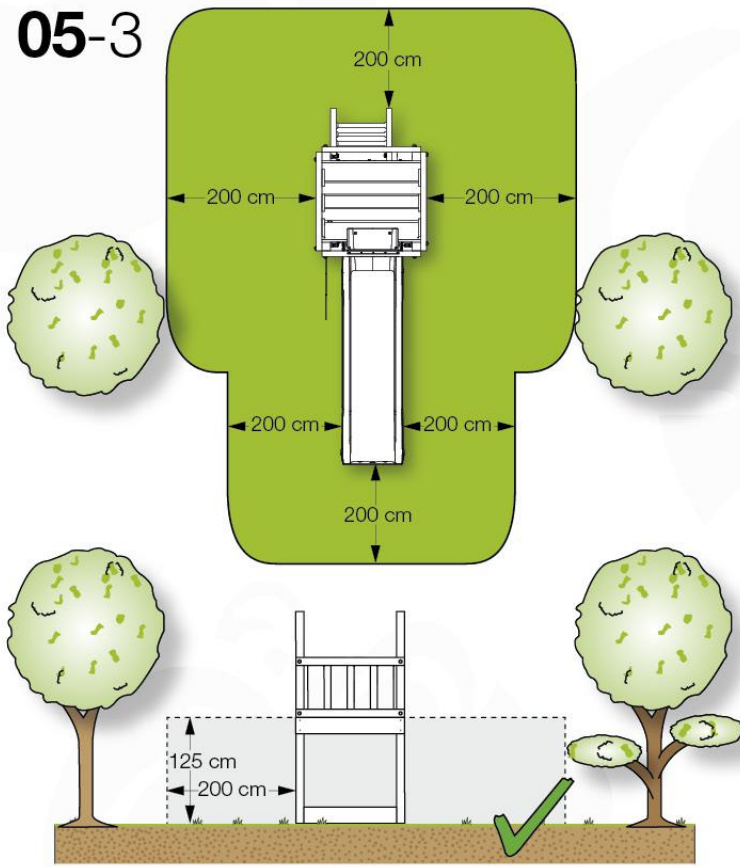
## 05-1



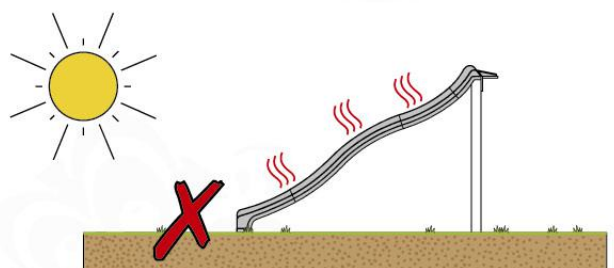
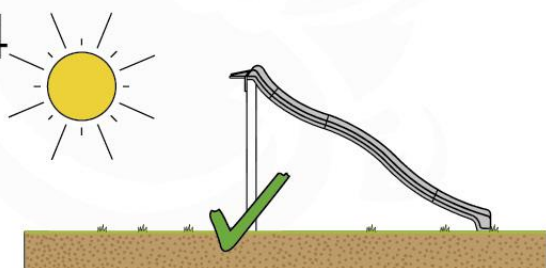
## 05-2



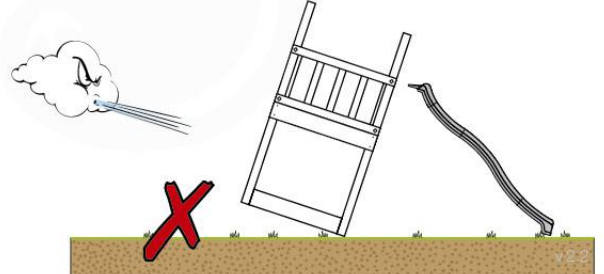
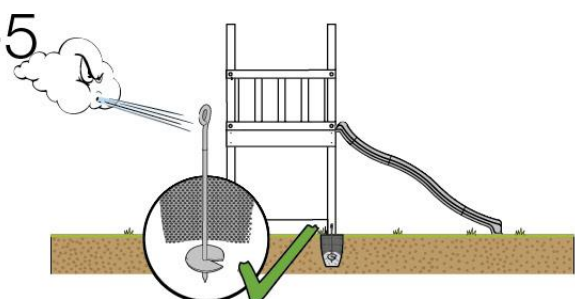
## 05-3



## 05-4



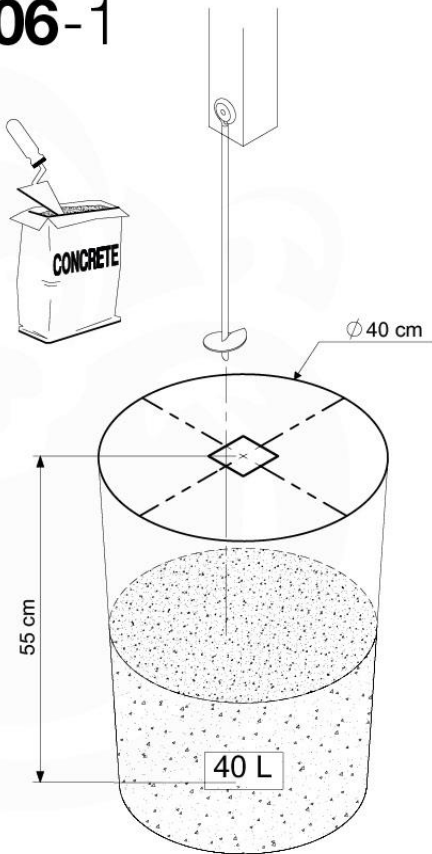
## 05-5



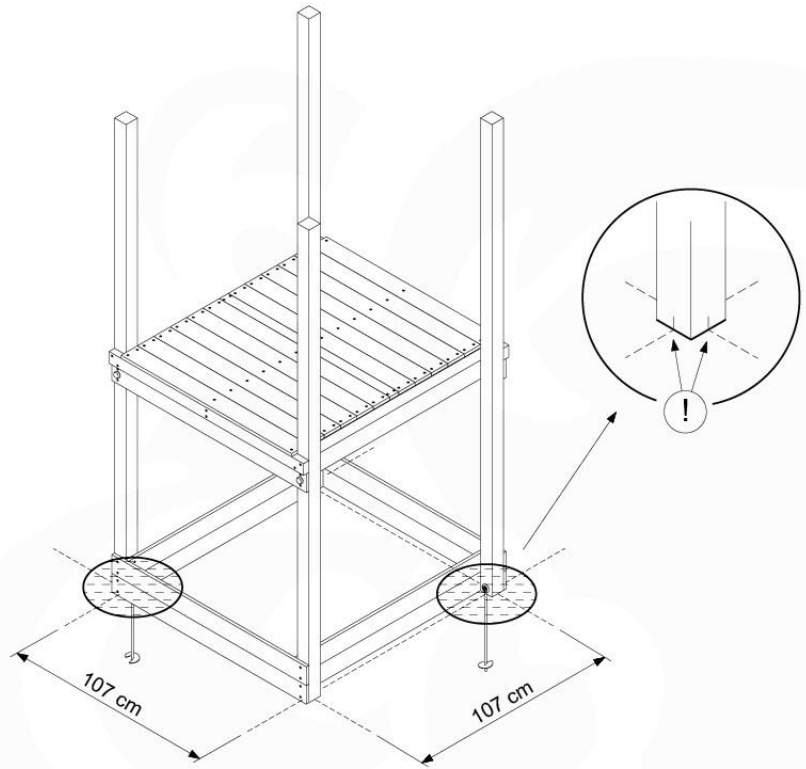
# 06 Playground Foundation

FD05

## 06-1



Foundation Plan - P07 - 21-1-2020 - 08

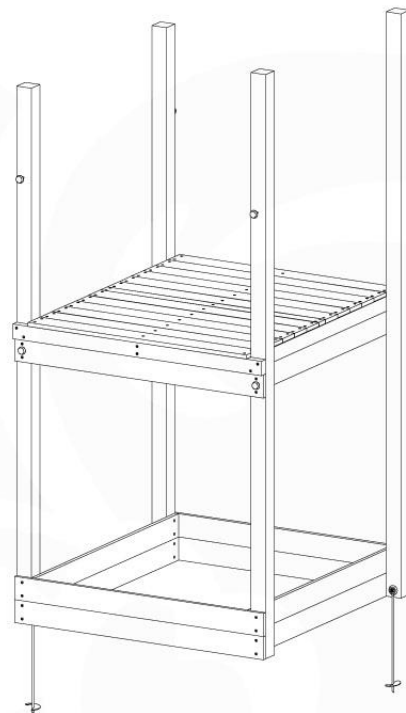


# 07 Base Tower

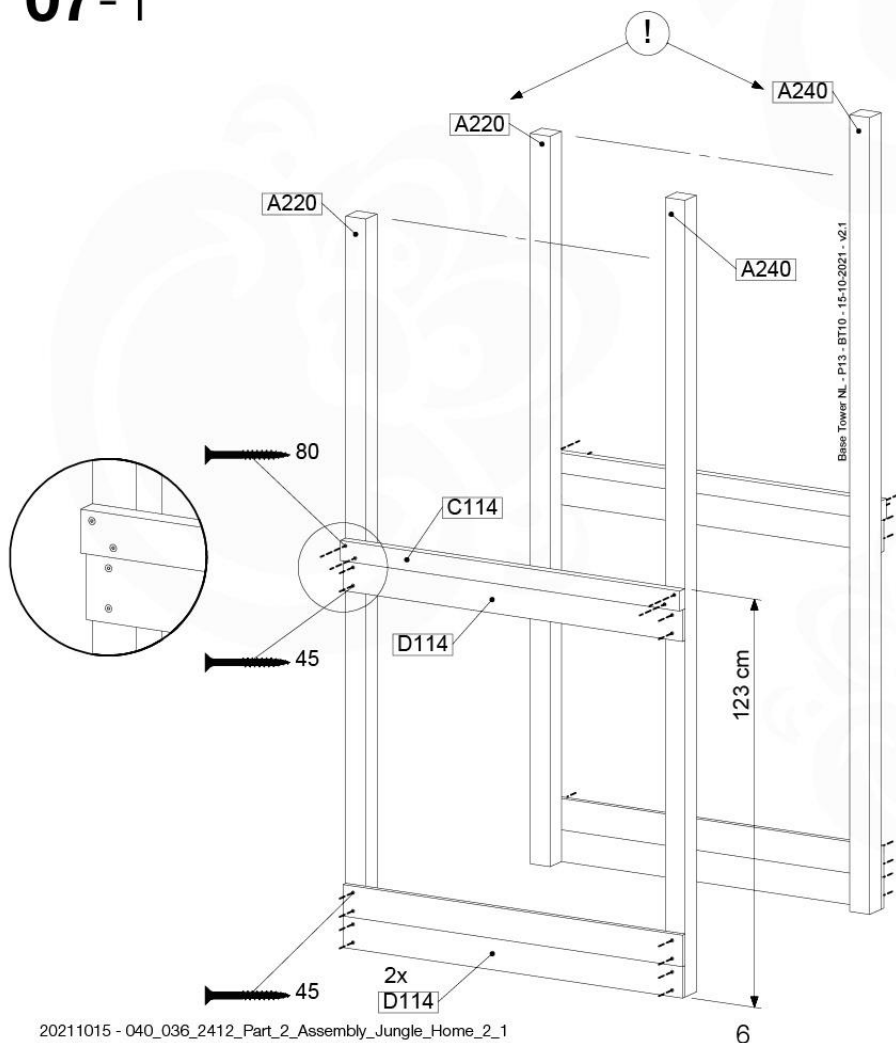
BT10

	PartNo	PartName	QTY.
Hardware Pack	001_406	Stealth Screw 8x45	6
	001_417	Stealth Screw 8x80	4
	002_220	Gap Point Screw T25 - 5x45	118
	002_223	Gap Point Screw T25 - 5x80	20
	022_31x	bpc-base version 3	8
	022_84x	bpc cover	8
Other	007_001	Ground-anchor	2
Timber	A220	Post 70x70 L2200	2
	A240	Post 70x70 L2400	2
	C114	Beam 1140 mm	5
	D100	Board 1000 mm	14
	D114	Board 1140 mm	12

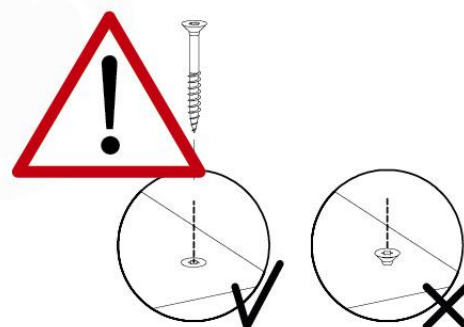
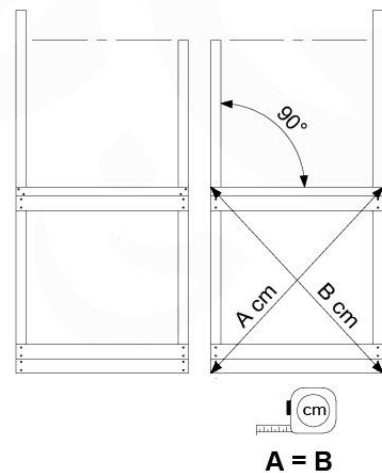
Base Tower NL - P05 - BT10 - 15-10-2021 - v2.1



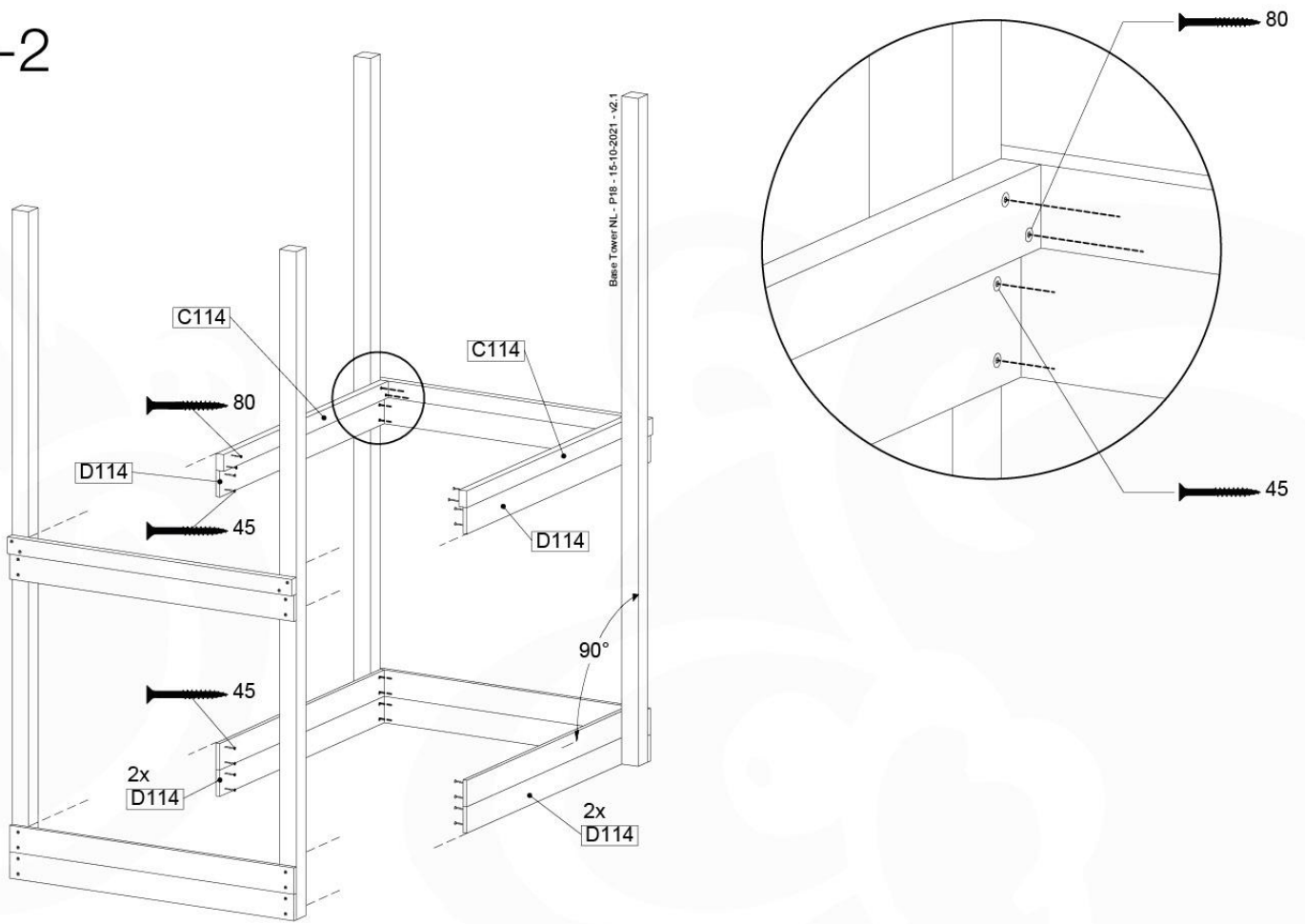
## 07-1



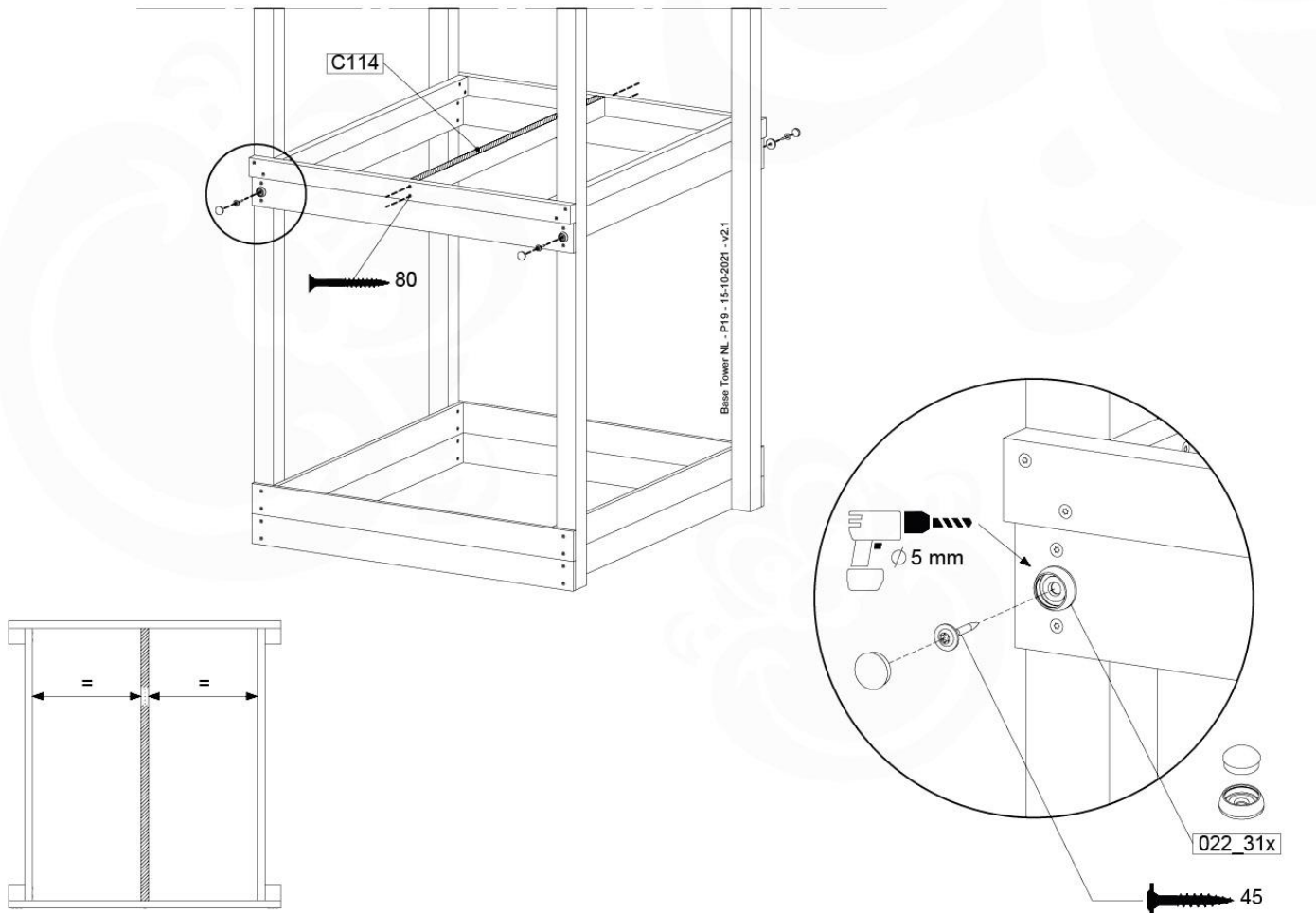
Base Tower NL - P13 - BT10 - 15-10-2021 - v2.1



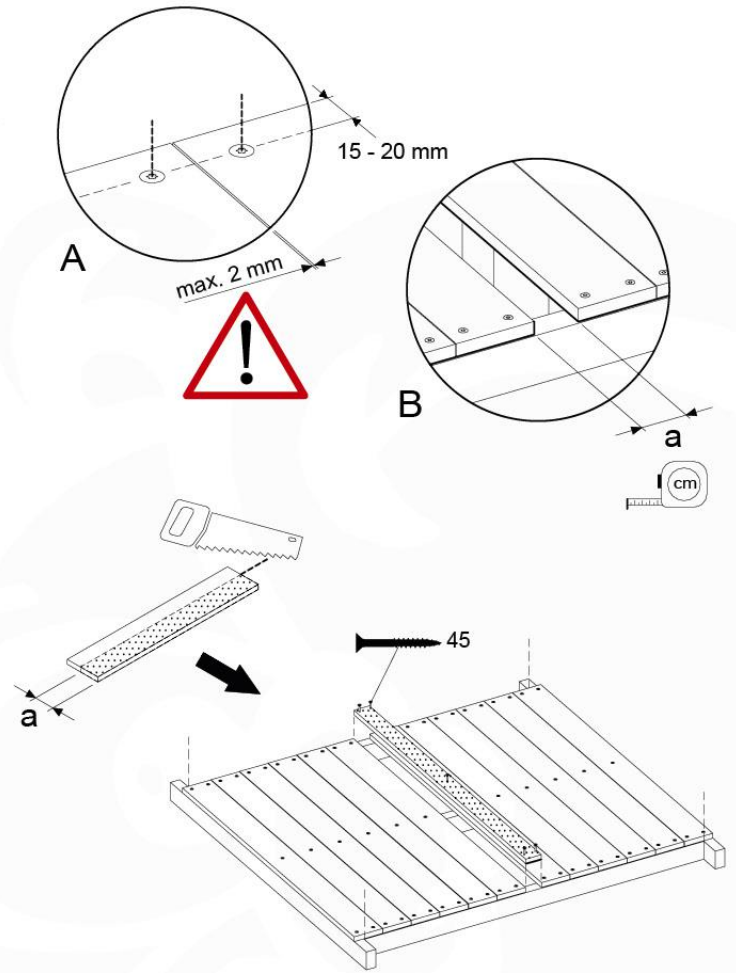
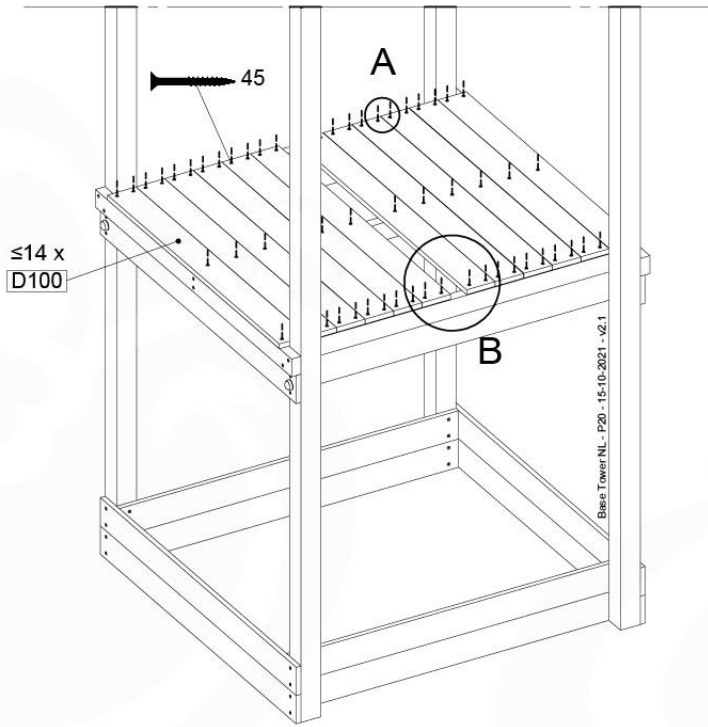
# 07-2



# 07-3

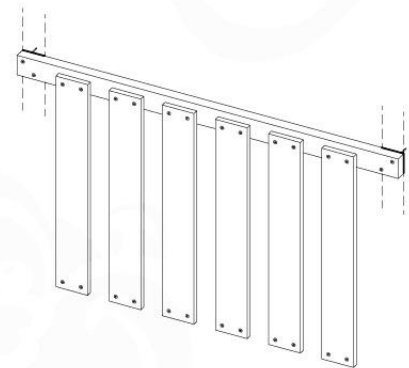


# 07-4



# 08 Balustrade (2x)

BL04

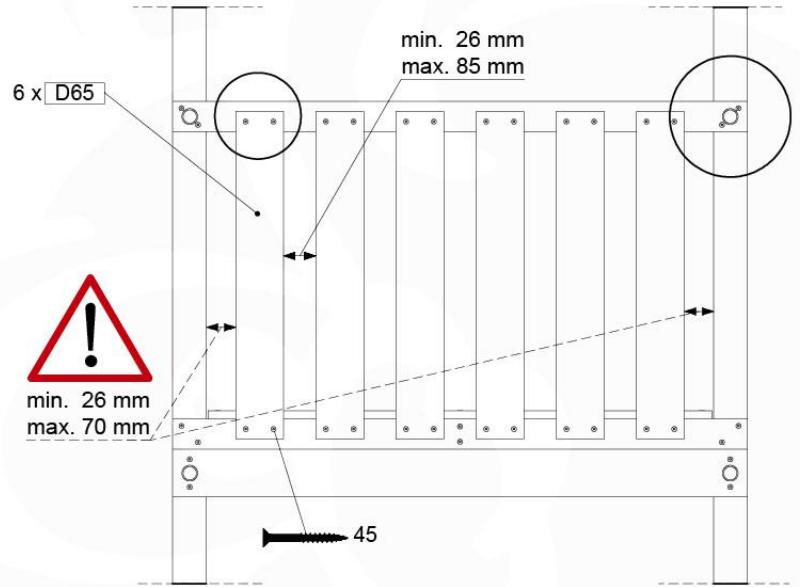
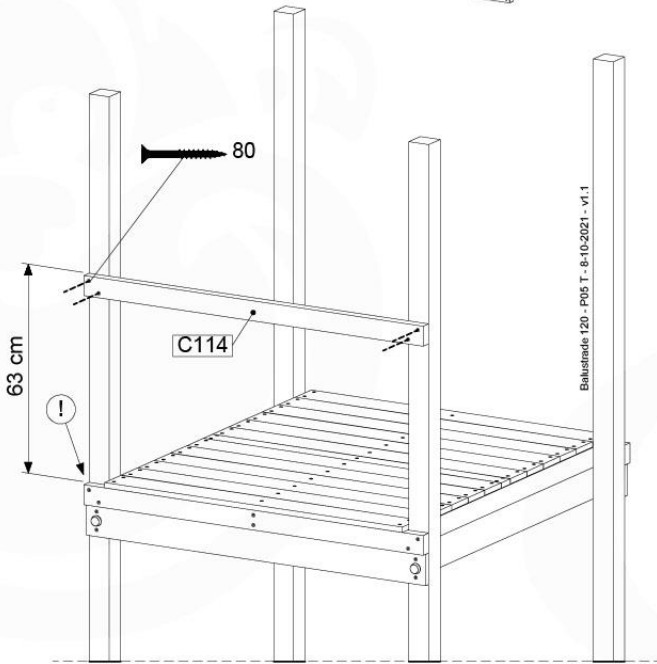
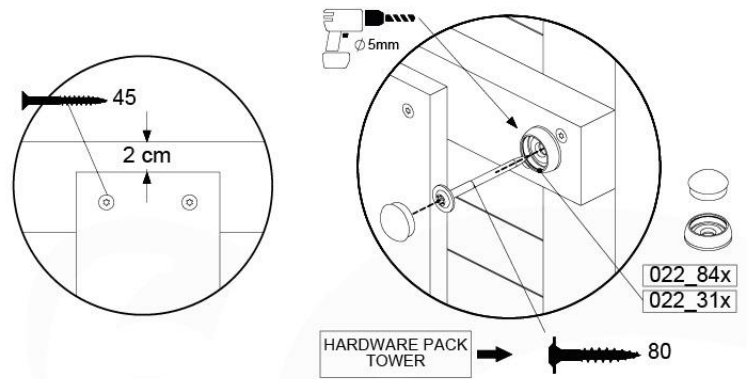
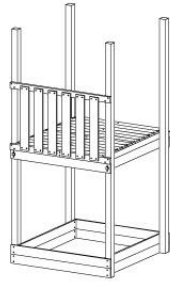


	PartNo	PartName	QTY.
Hardware Pack	002_220	Gap Point Screw T25 - 5x45	24
	002_223	Gap Point Screw T25 - 5x80	4
Timber	C114	Beam 1140 mm	1
	D65	Board 650 mm	6

Balustrade 120 - P03 T - 8-10-2021 - v1.1

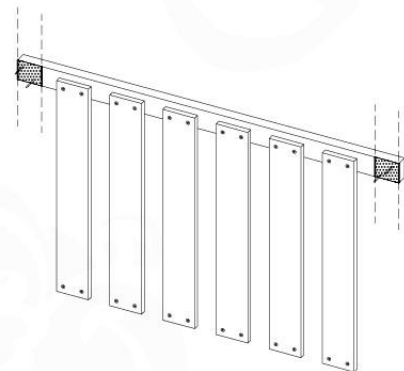


# 08-1



# 09 Balustrade

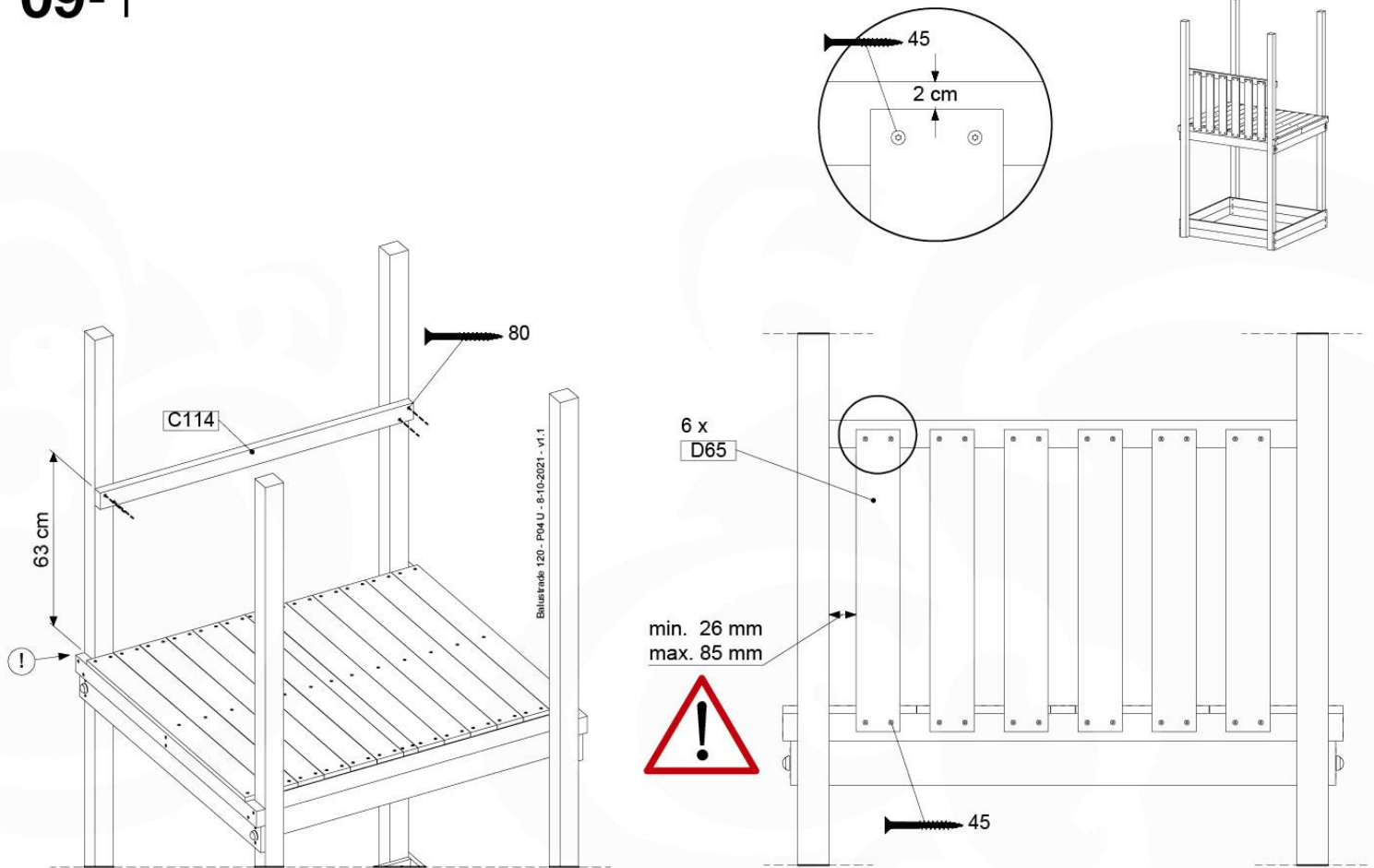
BL03



	PartNo	PartName	QTY.
Hardware Pack	002_220	Gap Point Screw T25 - 5x45	24
	002_223	Gap Point Screw T25 - 5x80	4
Timber	C114	Beam 1140 mm	1
	D65	Board 650 mm	6

Balustrade 120 - P02 U - 8-10-2021 - v1.1

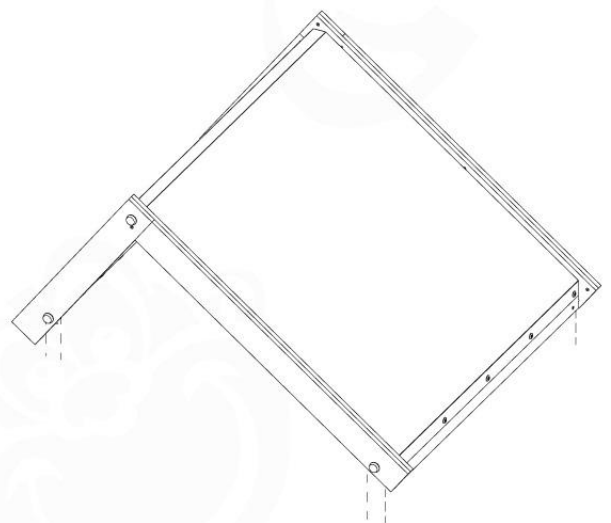
# 09-1



# 10 Roof Home

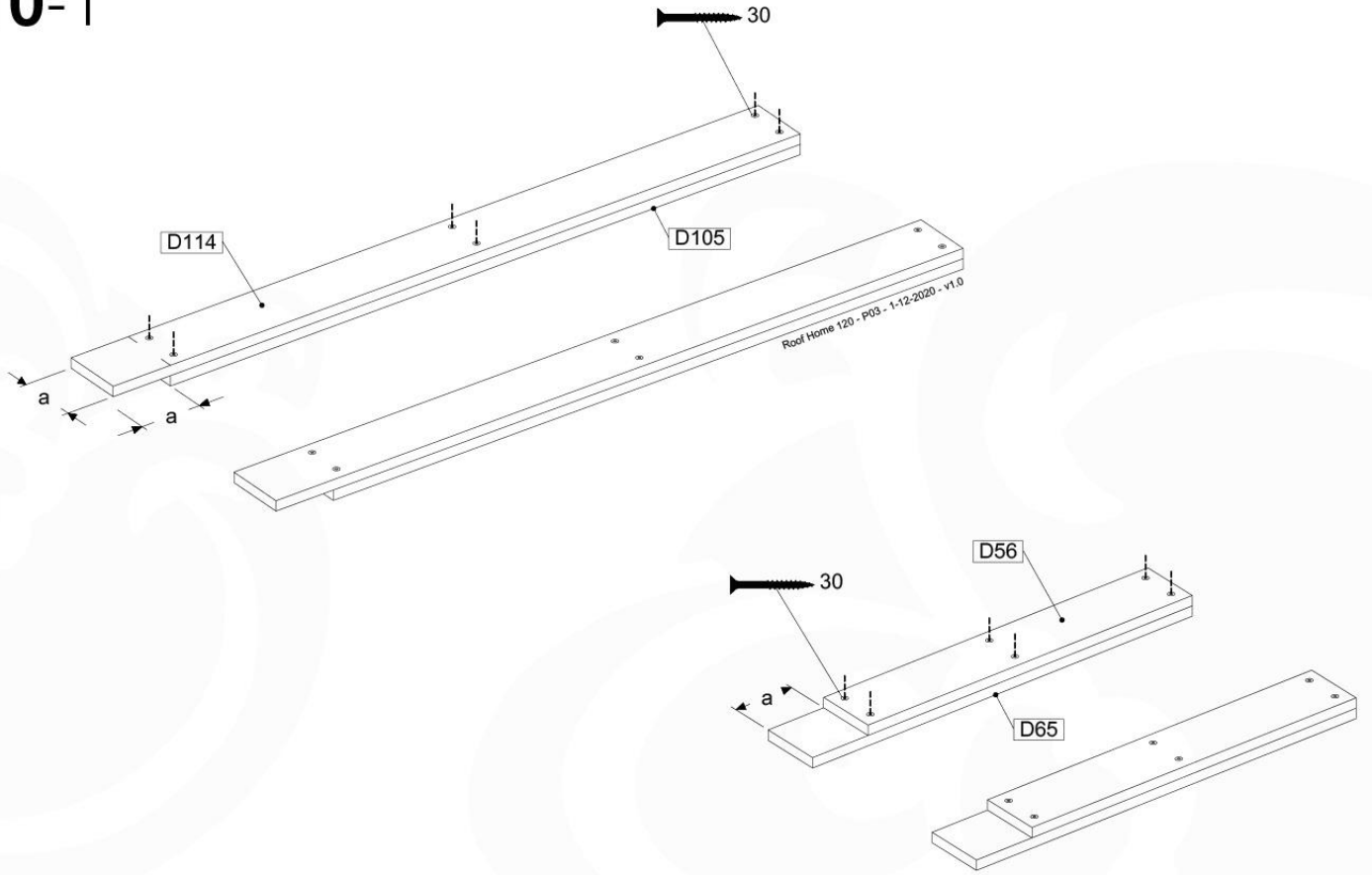
## RF10

	PartNo	PartName	QTY.
Hardware Pack	001_417	Stealth Screw 8x80	6
	002_219	Gap Point Screw T25 - 5x30	28
	002_220	Gap Point Screw T25 - 5x45	8
	002_223	Gap Point Screw T25 - 5x80	2
	002_308	Gap Point Screw T25 - 5x20	10
	022_31x	bpc-base version 3	6
	022_84x	bpc cover	6
	023_031	Finishing Washer GPS 5.0	10
Other	123_222	Sheet Canvas Navigator Line 1200x1850	1
Timber	C114	Beam 1140 mm	1
	D56	Board L=(650 - board width) mm	2
	D65	Board 650 mm	2
	D105	Board L=(1140-boardw) mm	2
	D114	Board 1140 mm	4

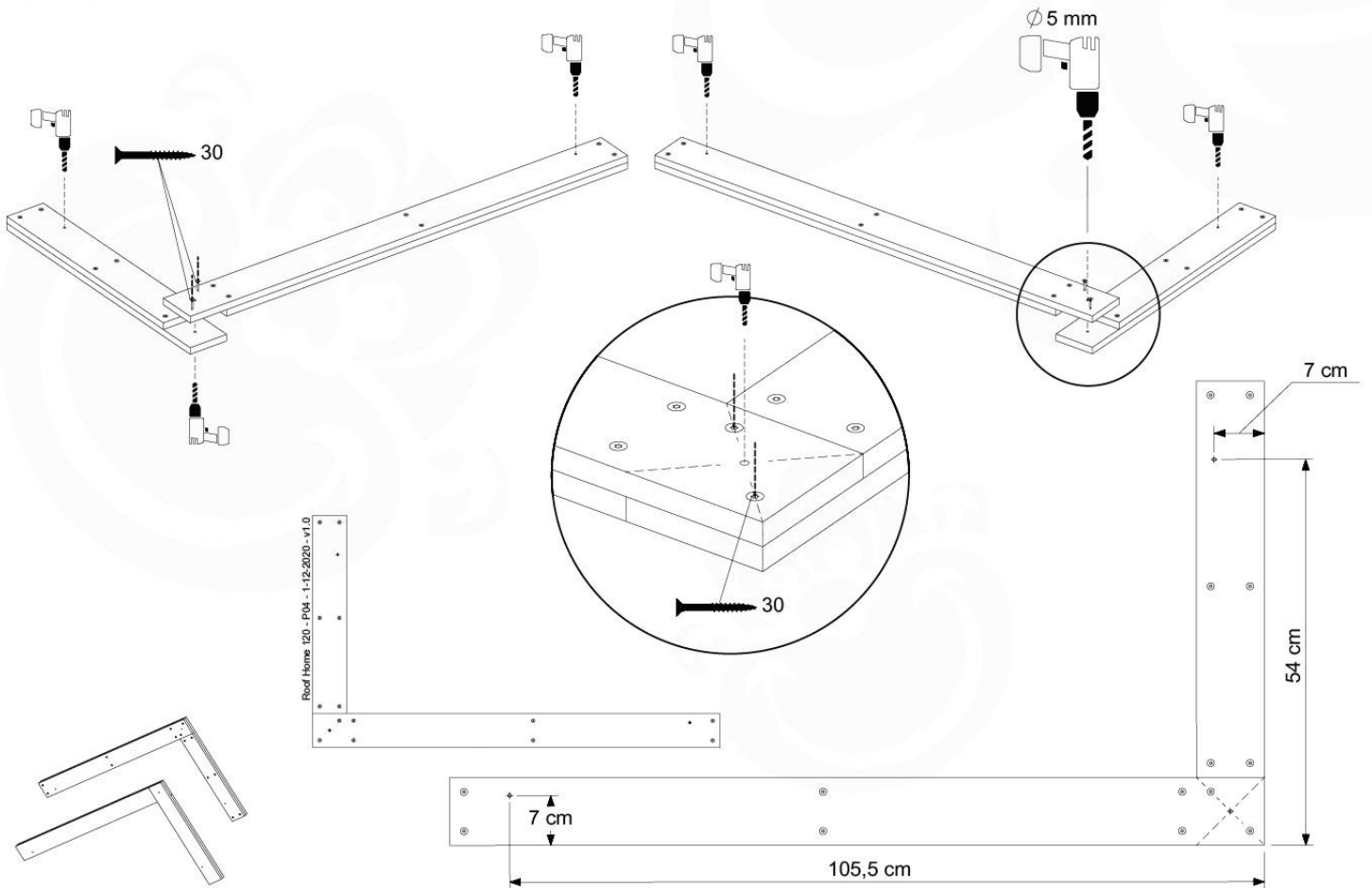


Roof Home 120 - P02 - 1-12-2020 - v1.0

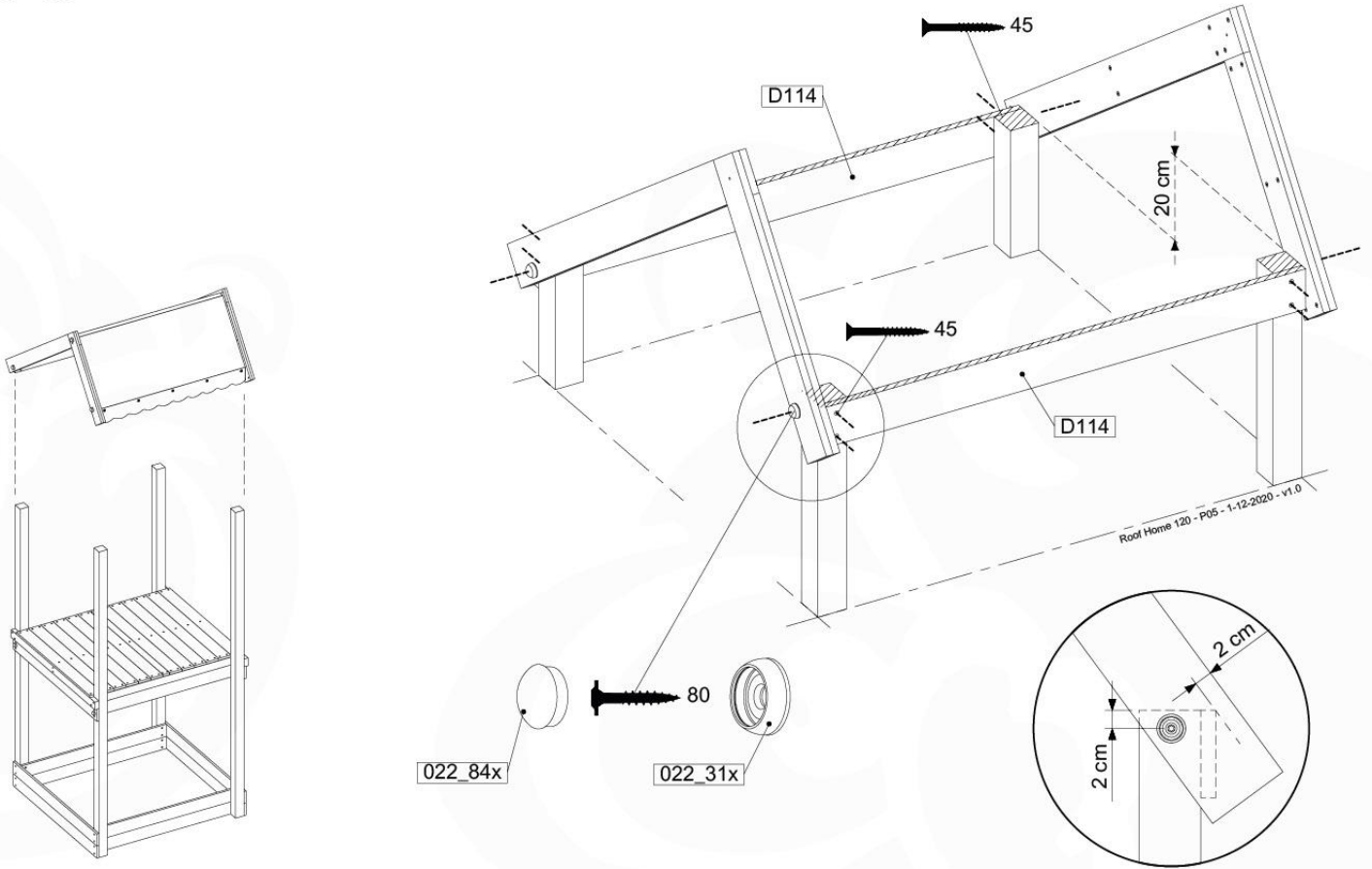
# 10-1



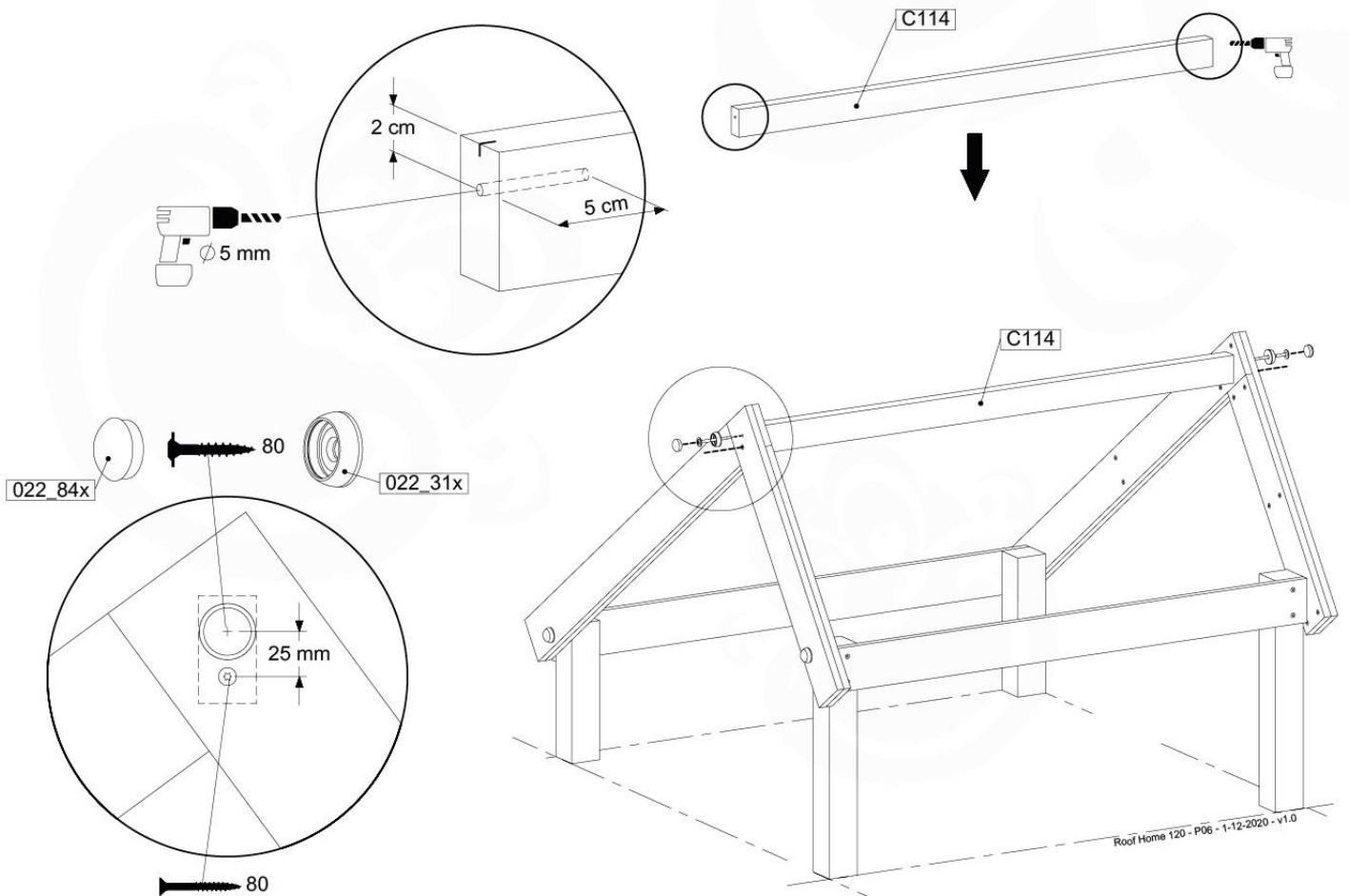
# 10-2



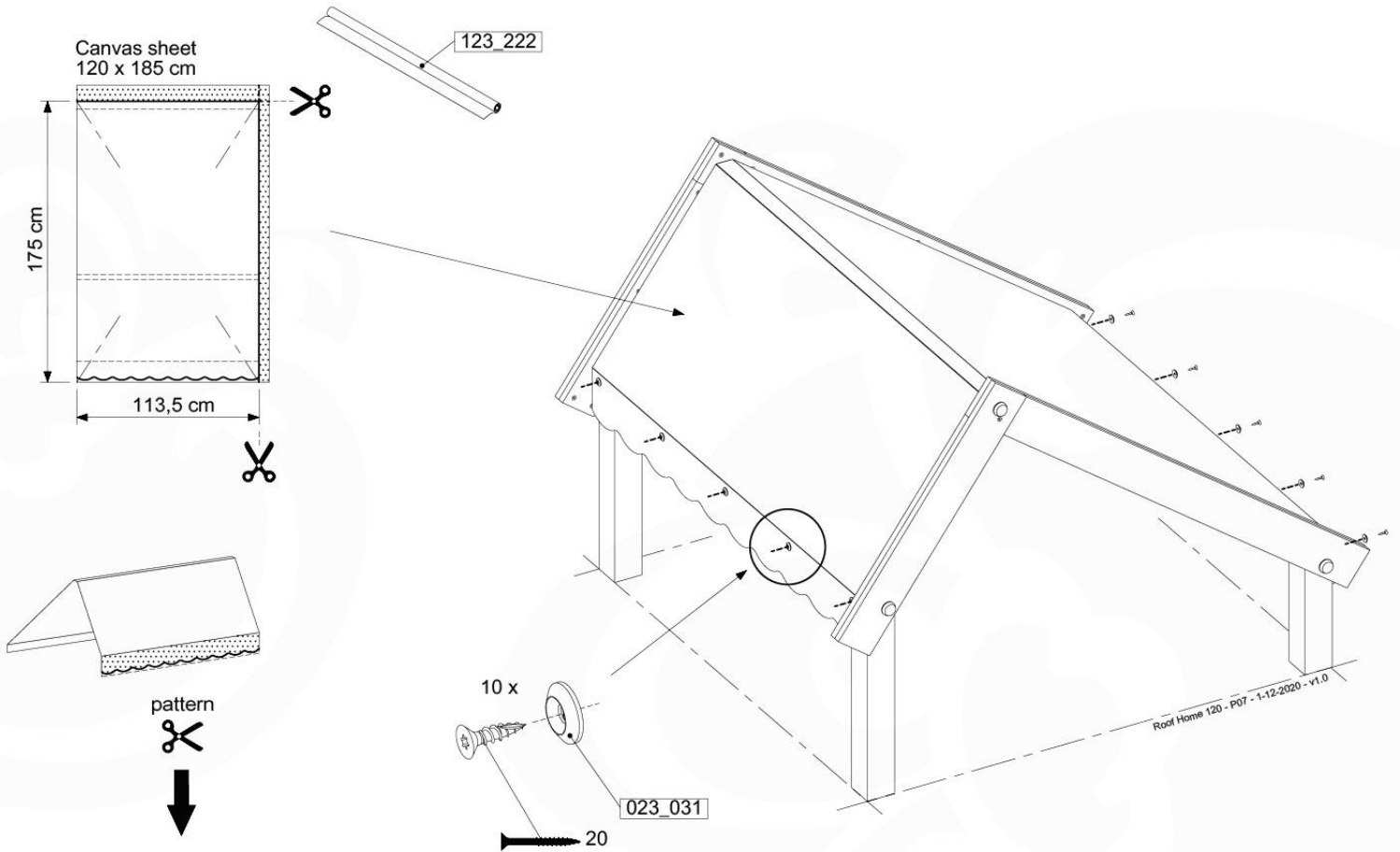
# 10-3



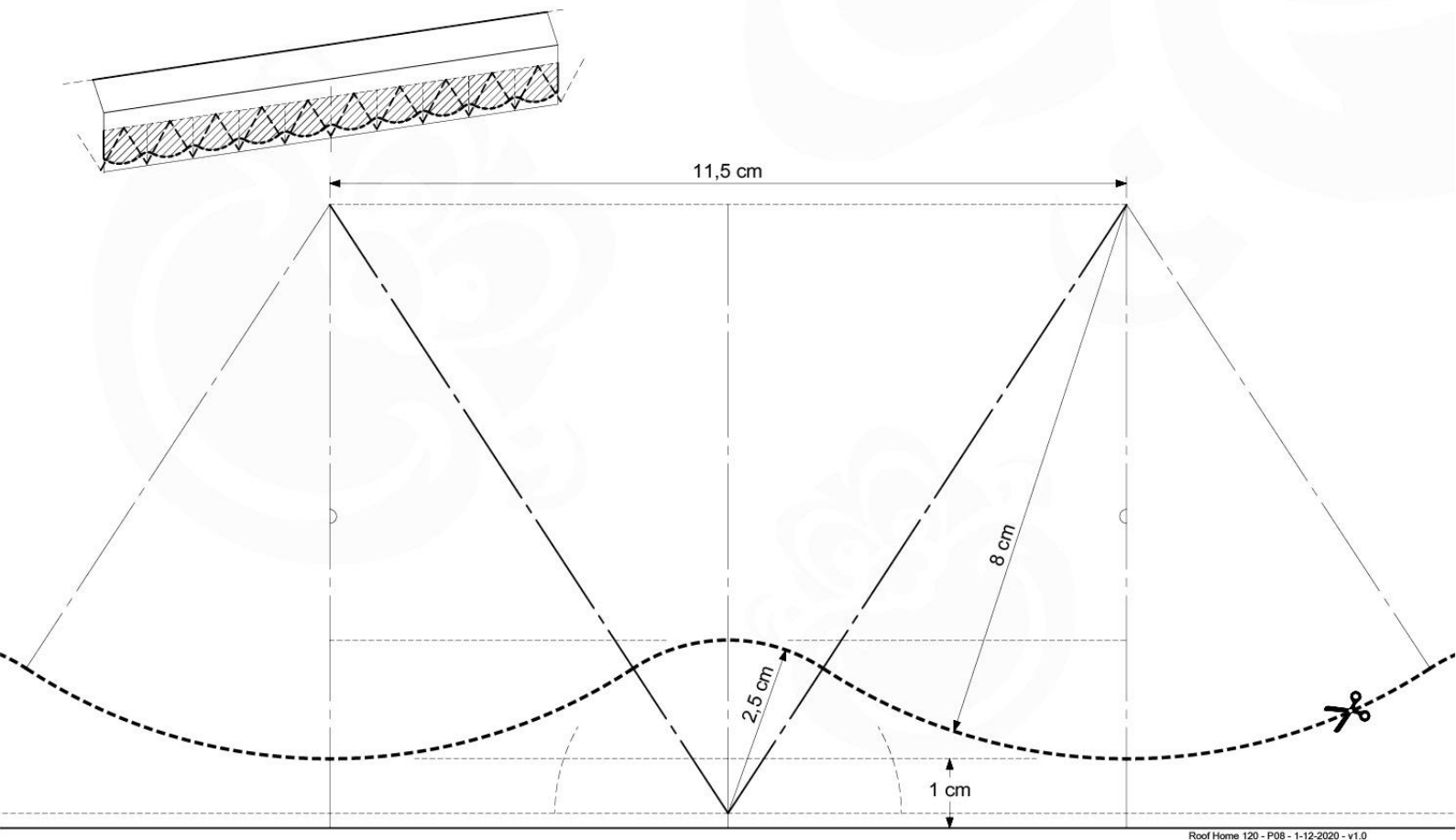
# 10-4



# 10-5



# 10-6

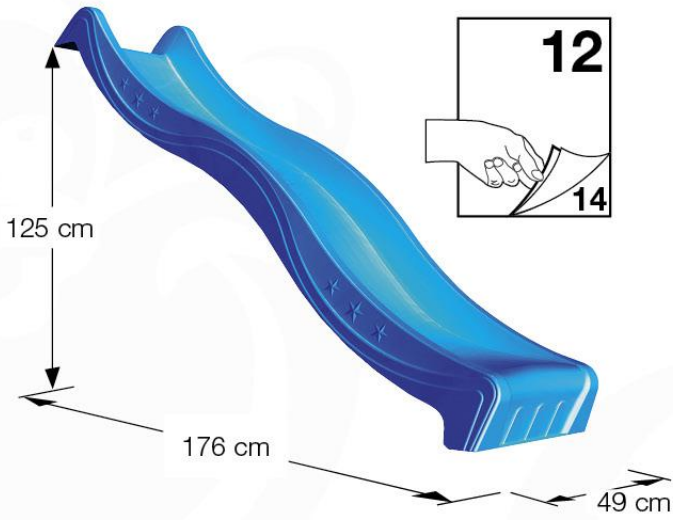


Roof Home 120 - P08 - 1-12-2020 - v1.0

# 11 Add-on

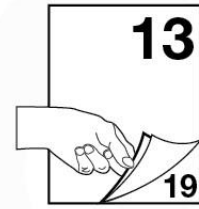
## Wavy Star Slide XL

- 324\_100 Yellow
- 324\_200 Blue
- 324\_300 Green
- 324\_400 Red
- 324\_500 Fuchsia
- 324\_600 Dark Green



## Fireman's Pole

201\_275

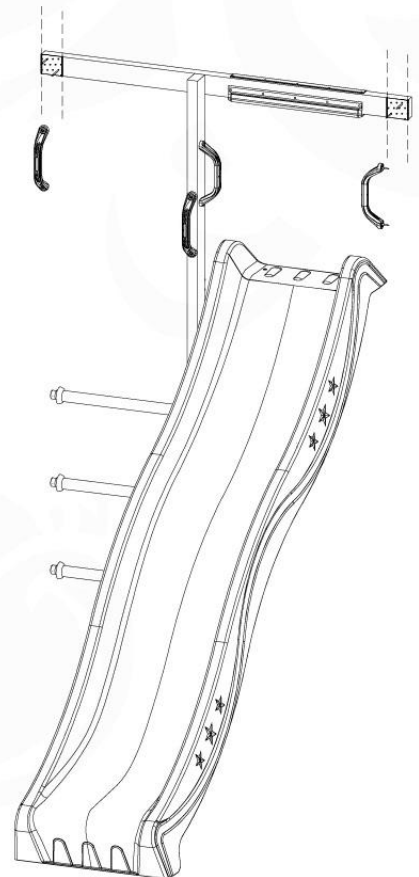


# 12 Slide & Ladder

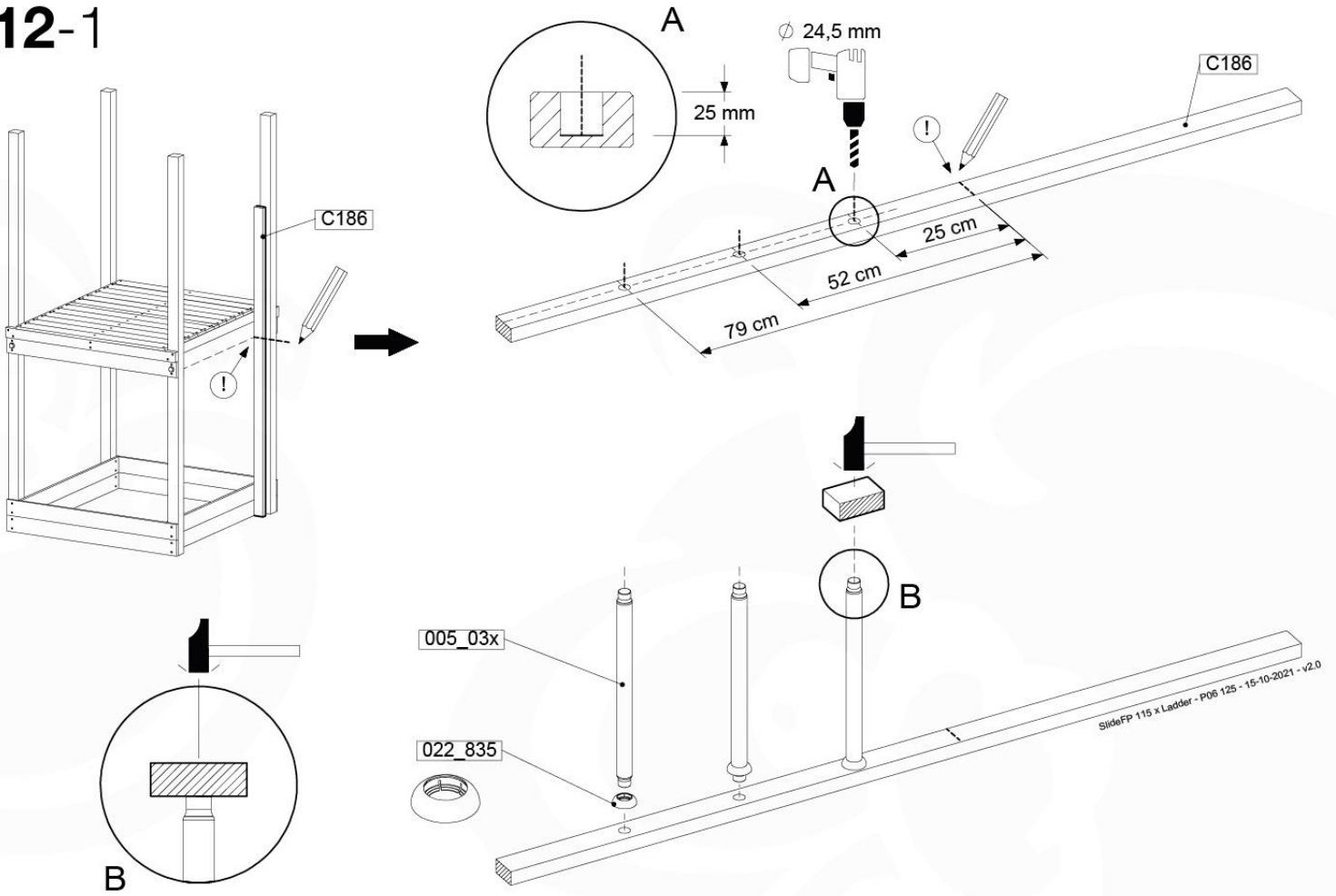
## SL15

	PartNo	PartName	QTY.
Hardware Pack	000_101	Nail Pan Head	10
	002_220	Gap Point Screw T25 - 5x45	10
	002_223	Gap Point Screw T25 - 5x80	8
	002_308	Gap Point Screw T25 - 5x20	2
Other	005_03x	Ladder Rung Y/B/G/R	3
	022_835	Rung Cap	6
	120_102	Handgrip set (complete 2x)	2
	123_200	Bumperpad	1
	324_xxx	Wavy Star Slide XL 2200 mm	1
Timber	C114	Beam 1140 mm	1
	C186	Beam 1860 mm	1

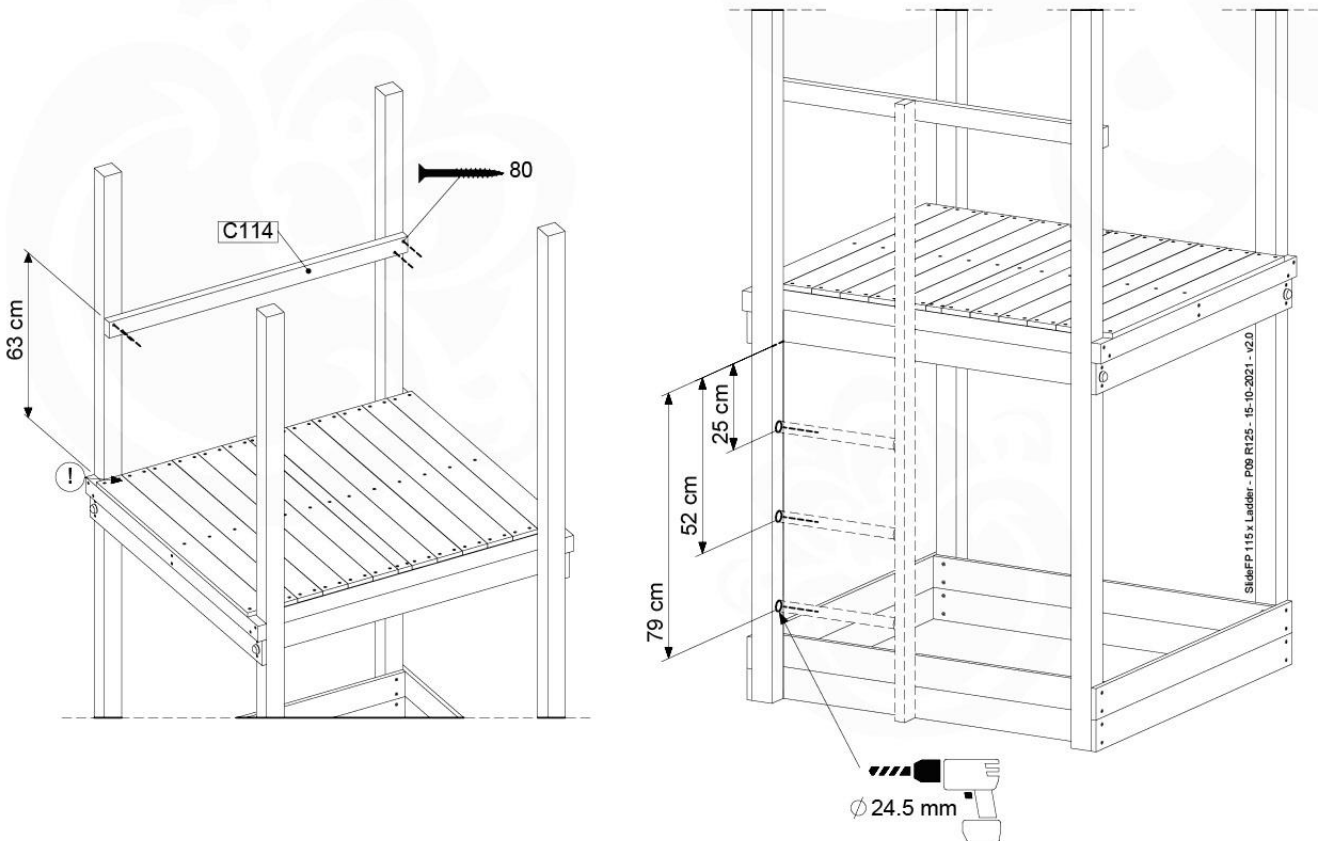
SlideFP 116 x Ladder - P03 R125 - 15-10-2021 - v2.0



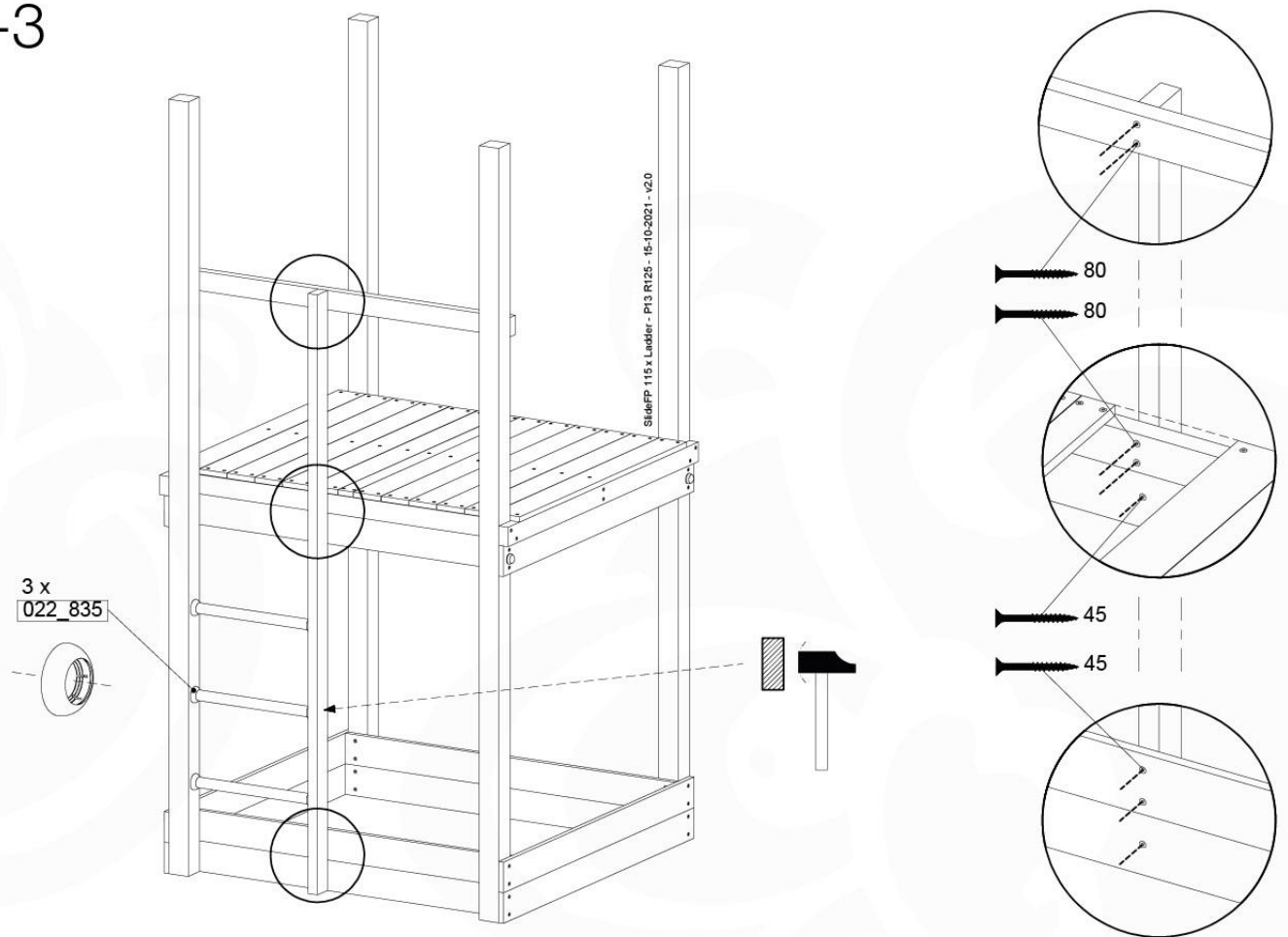
# 12-1



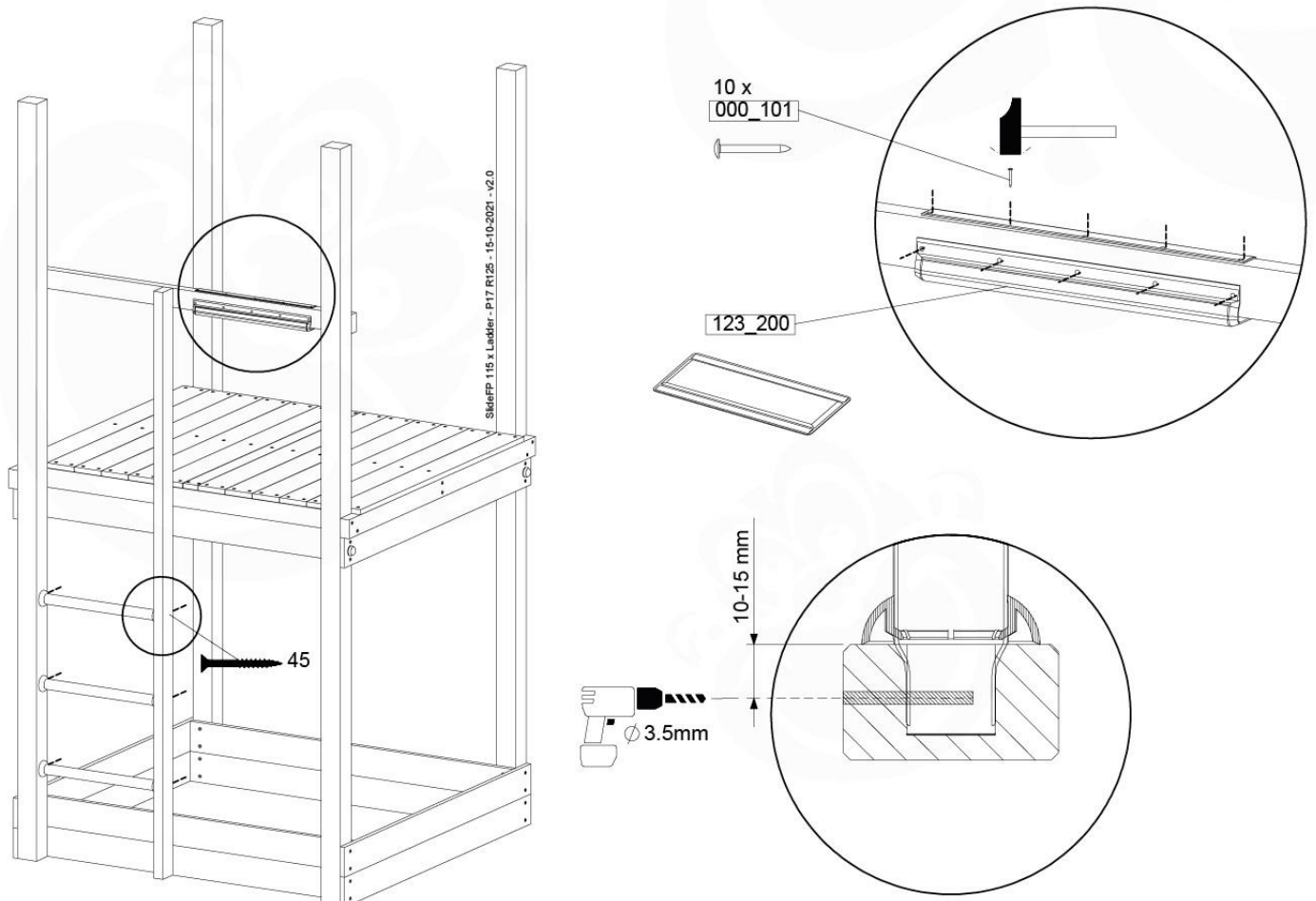
# 12-2



# 12-3

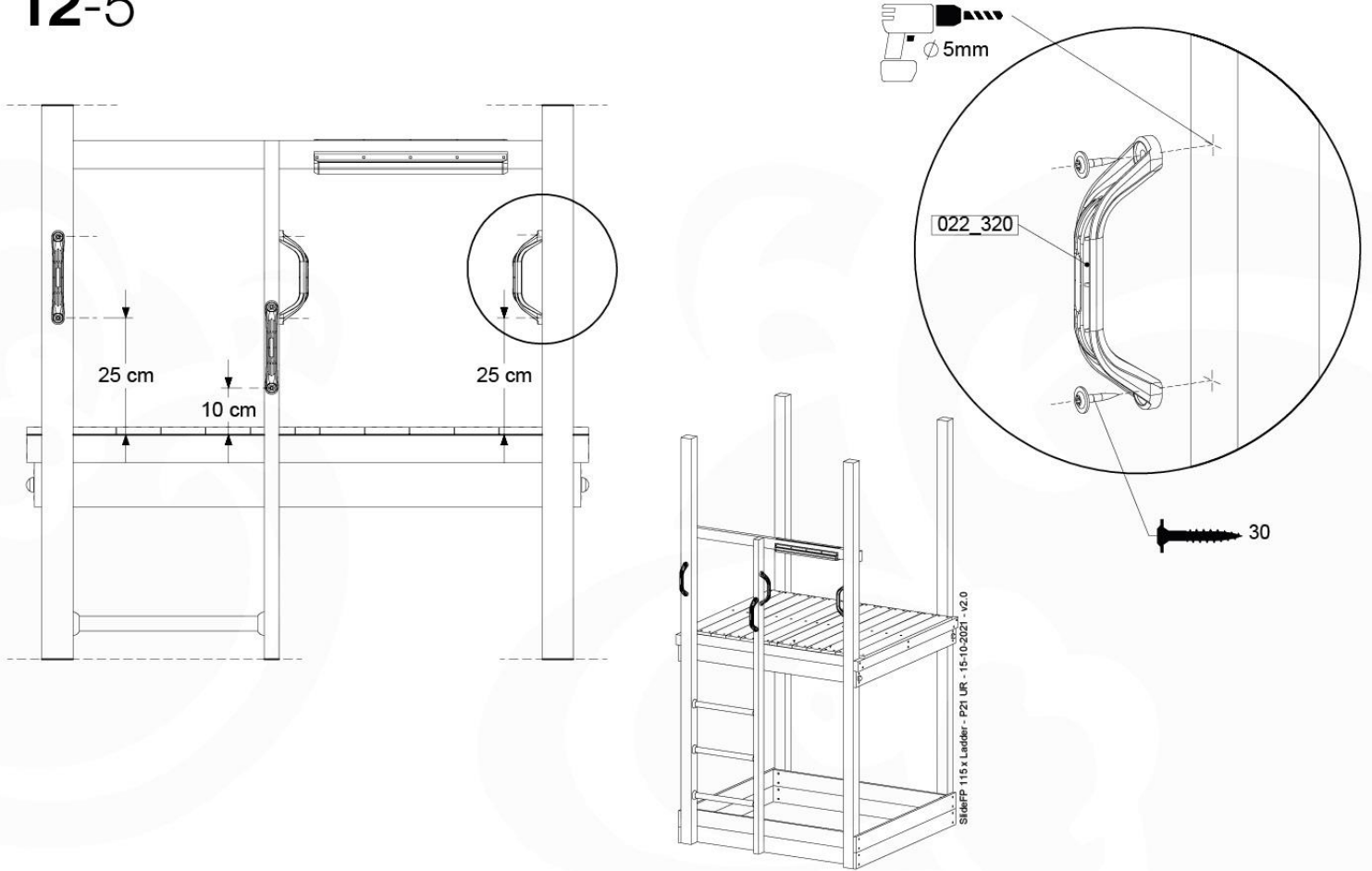


# 12-4

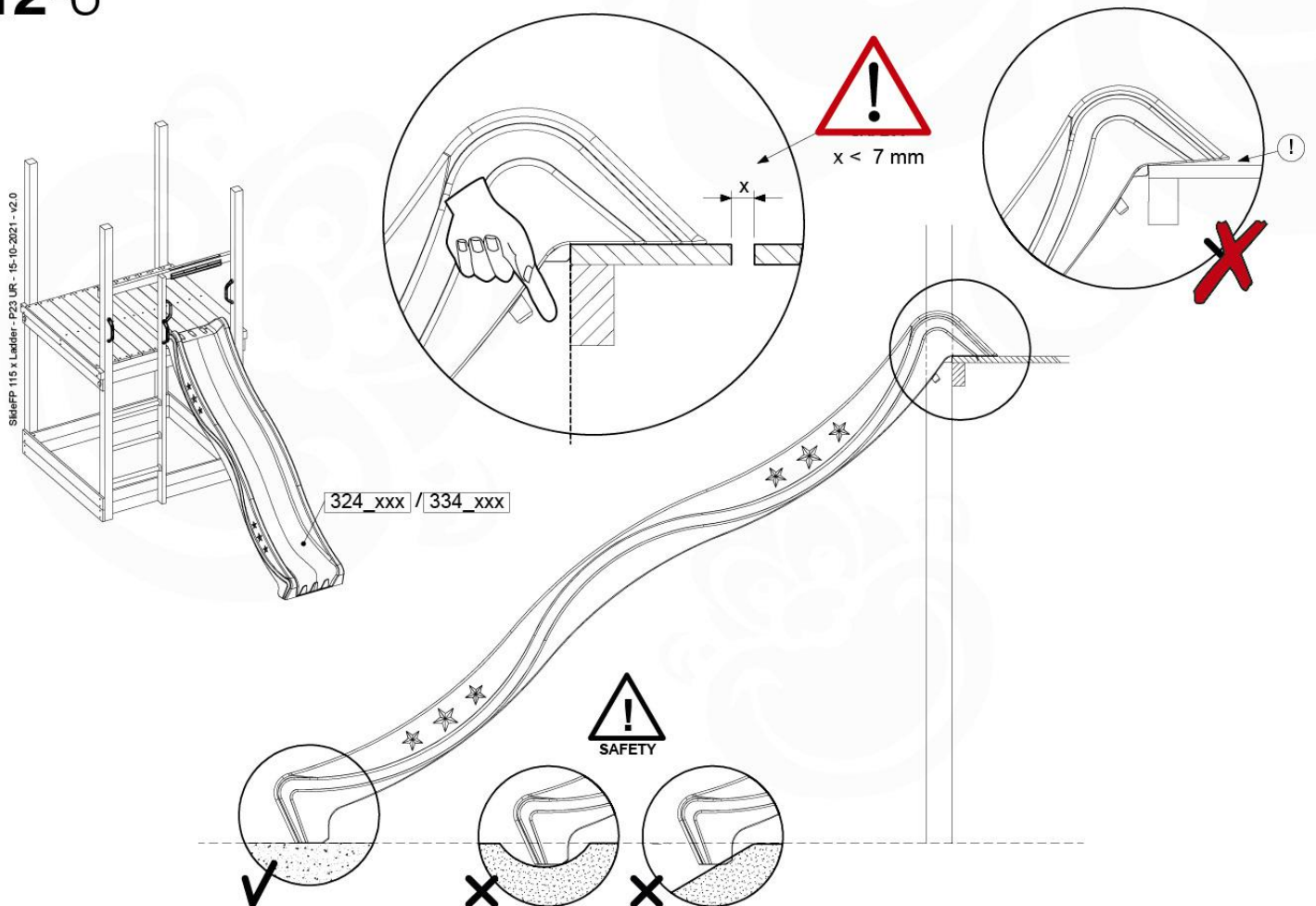




# 12-5

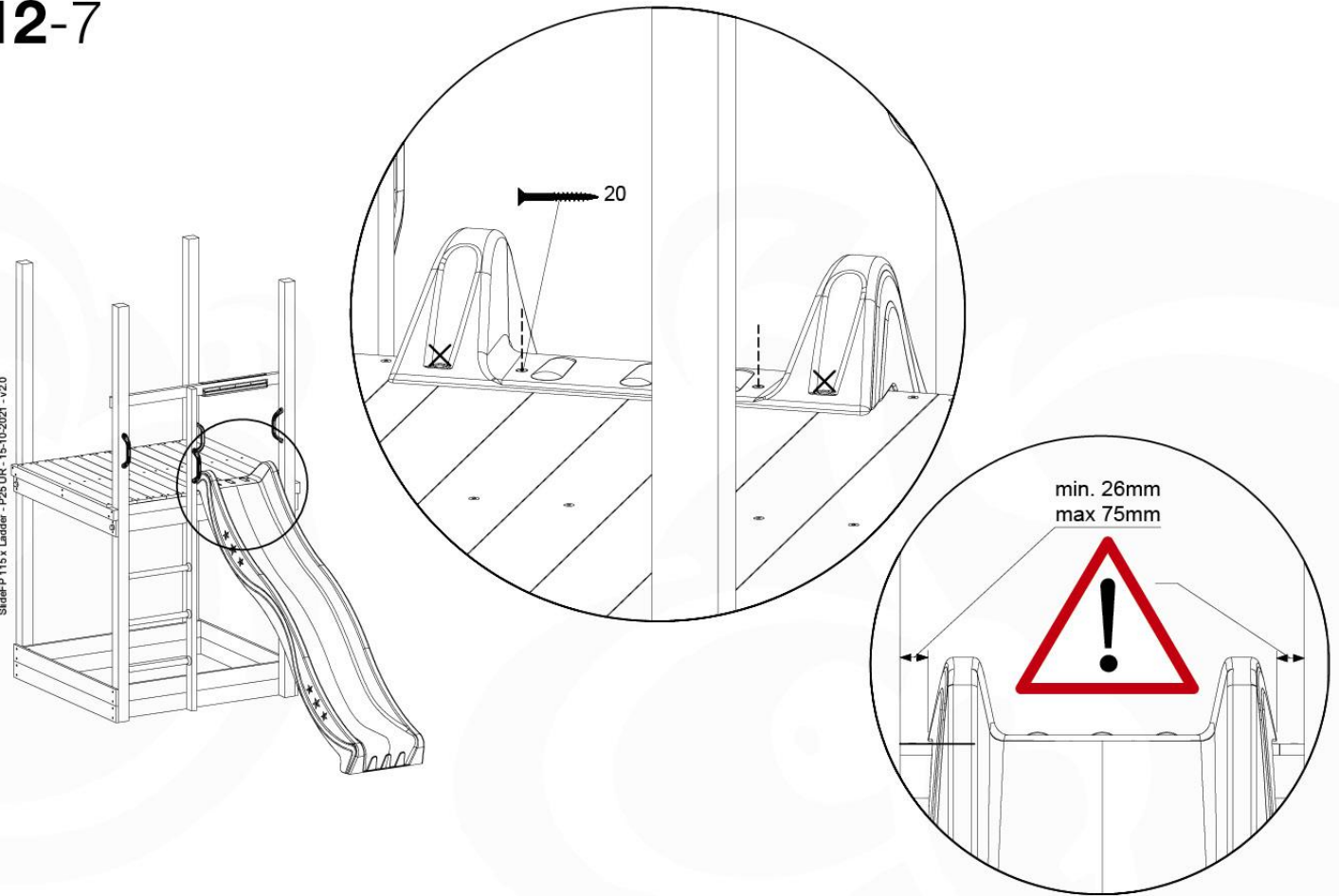


# 12-6

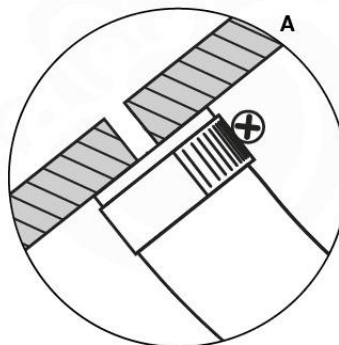
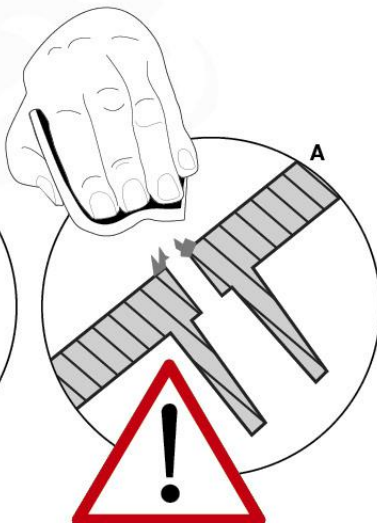
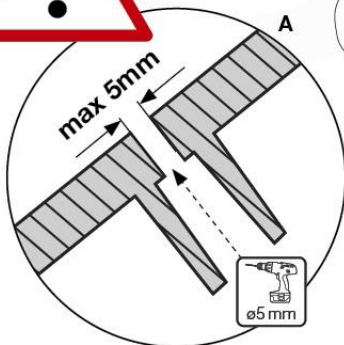
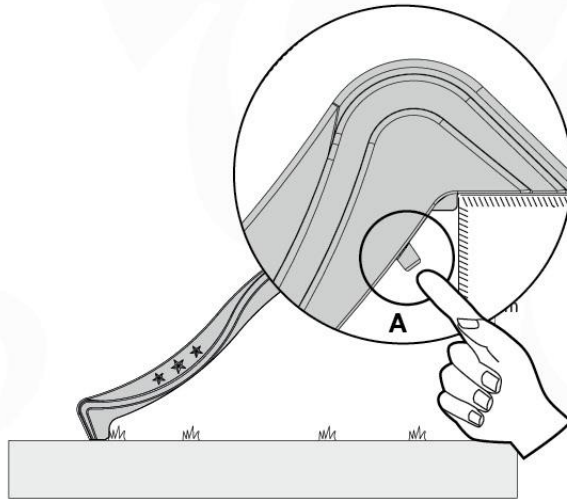


# 12-7

SlideFP 115 x Ladder - P25.UR - 15-10-2021 - v2.0



# 12-8

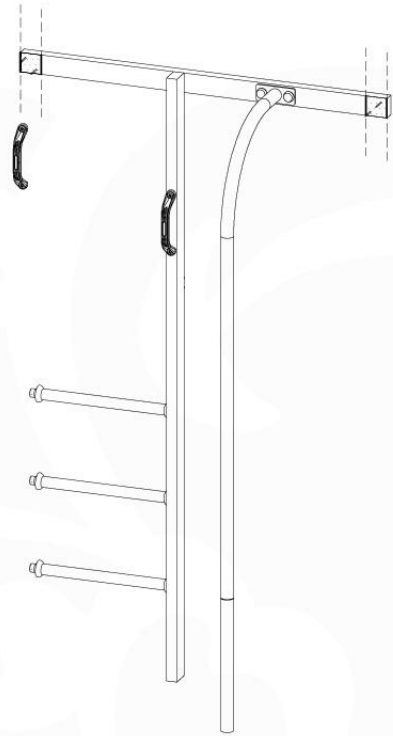


# 13 Firemans Pole & Ladder

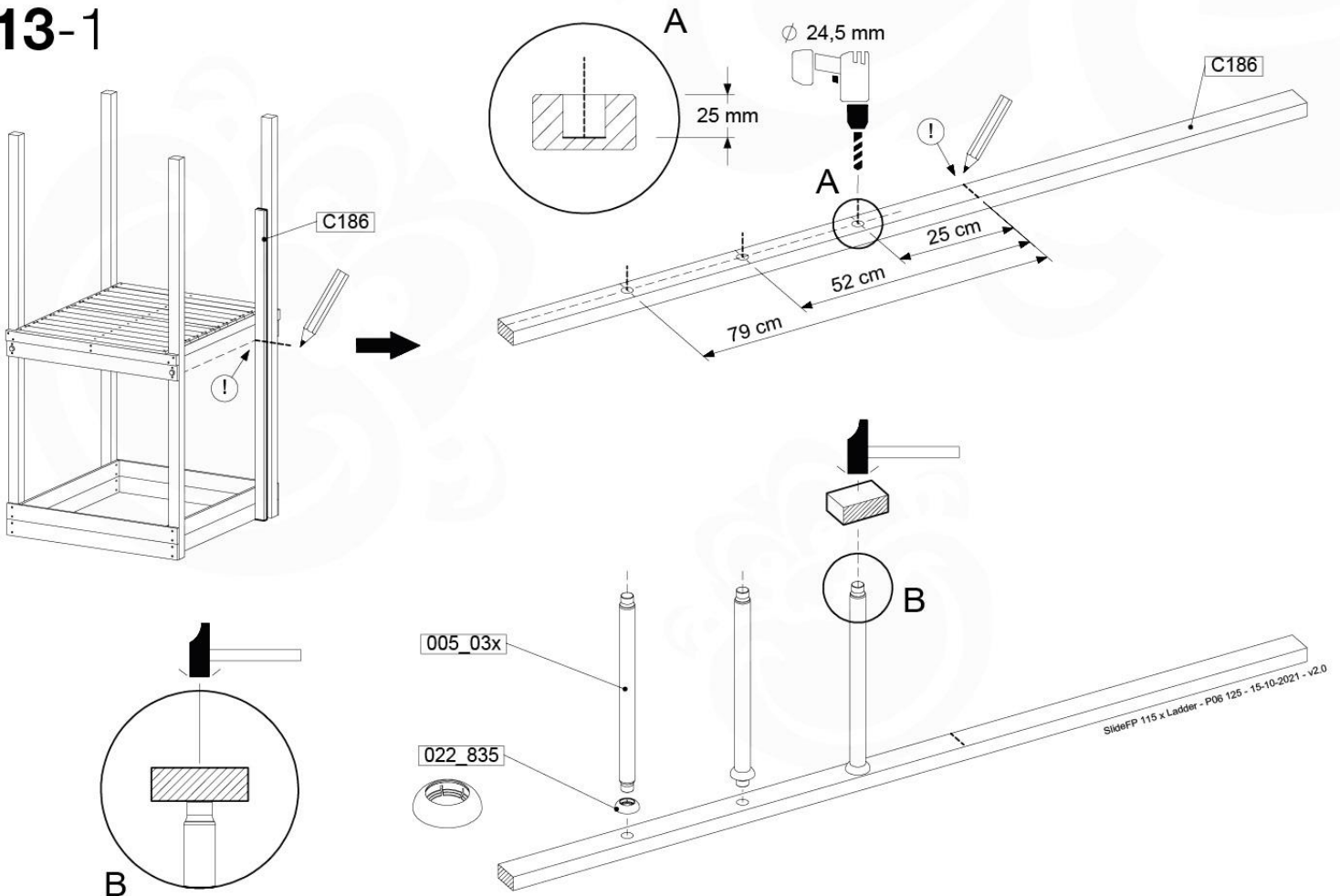
FP14

	PartNo	PartName	QTY.
Hardware Pack(s)	001_103	M8 Washer Head Screw 40mm	2
	002_220	Gap Point Screw T25 - 5x45	10
	002_223	Gap Point Screw T25 - 5x80	8
	003_010	M8 spring lock washer	2
	003_040	M8 Washer	2
	004_052	M8 Drive-in Nut 30mm	2
	004_054	M8 Drive-in Nut 45mm	2
Other	005_03x	Ladder Rung Y/B/G/R	3
	022_31x	bpc-base version 3	2
	022_84x	bpc cover	2
	022_835	Rung Cap	6
	102_915	Fireman's Pole	1
	120_102	Handgrip set (complete 2x)	1
Timber	C114	Beam 1140 mm	1
	C186	Beam 1860 mm	1

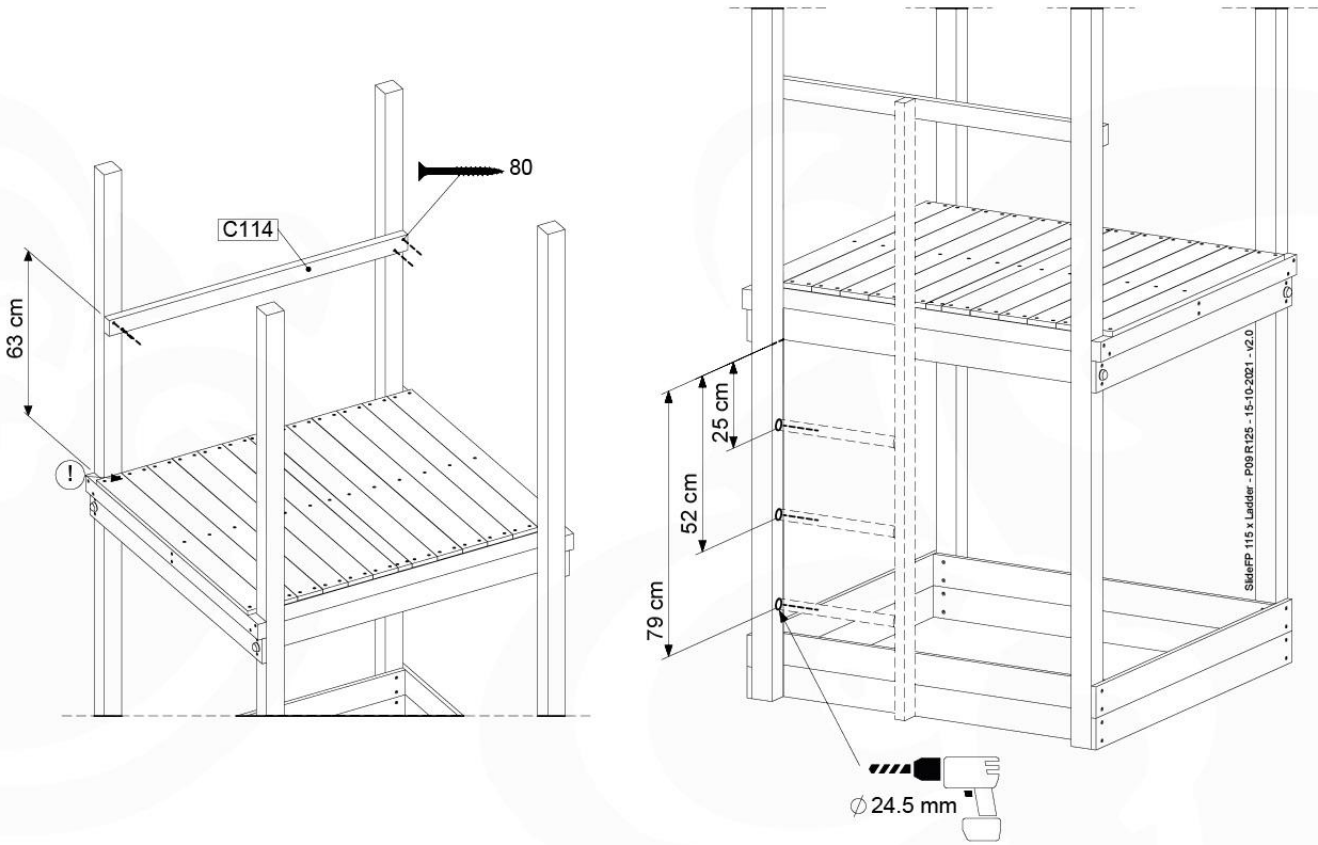
SlideFP 115 x Ladder - P31 FPR125 - 15-10-2021 - v2.0



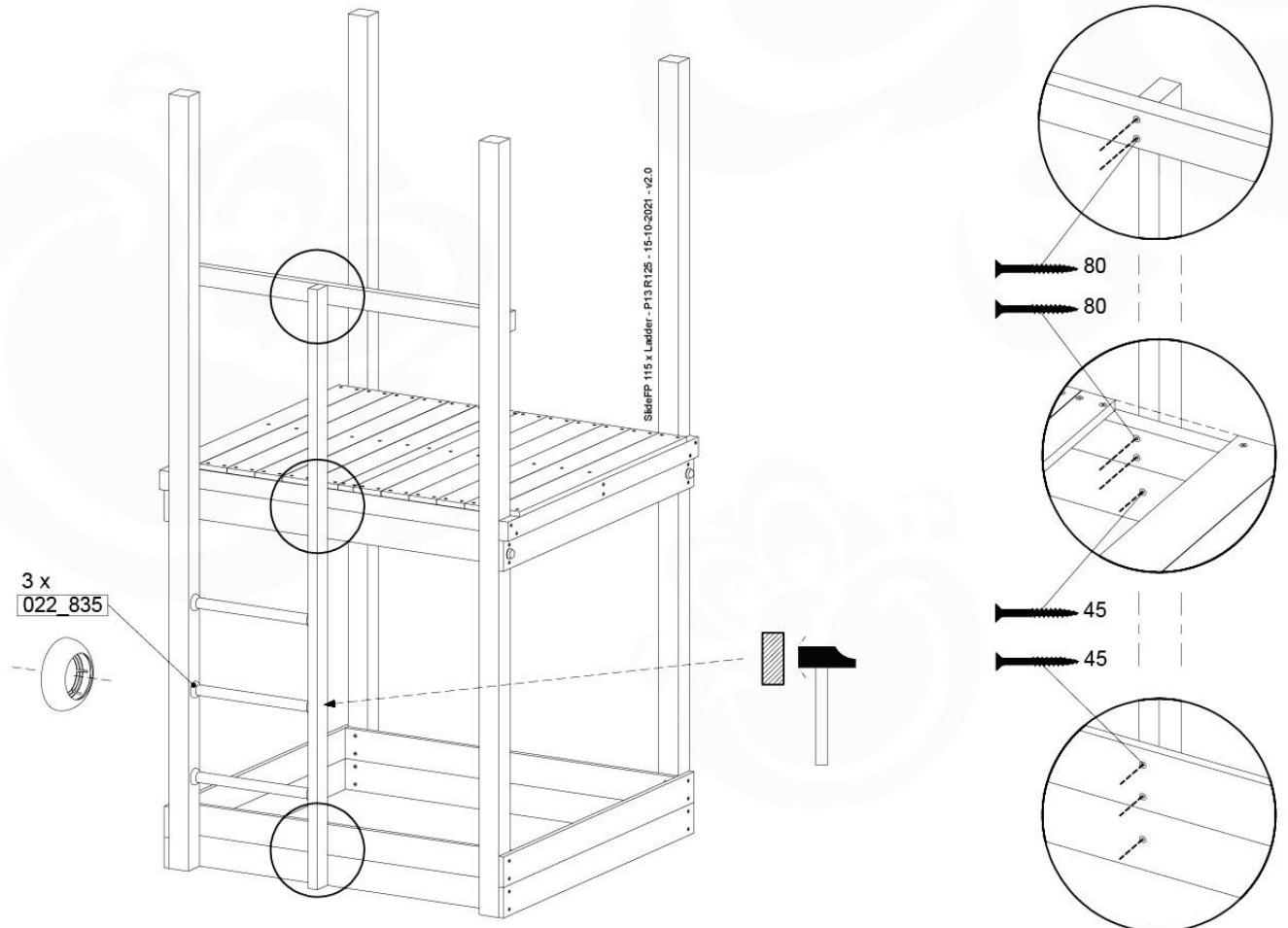
## 13-1



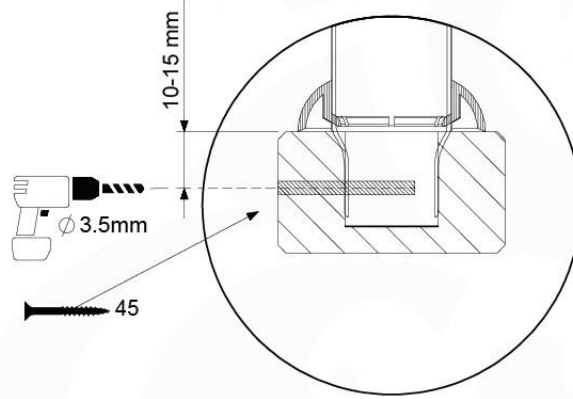
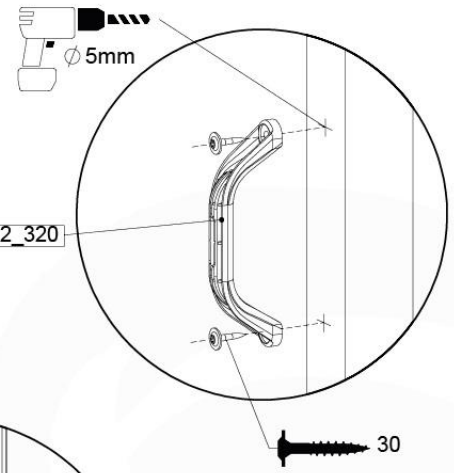
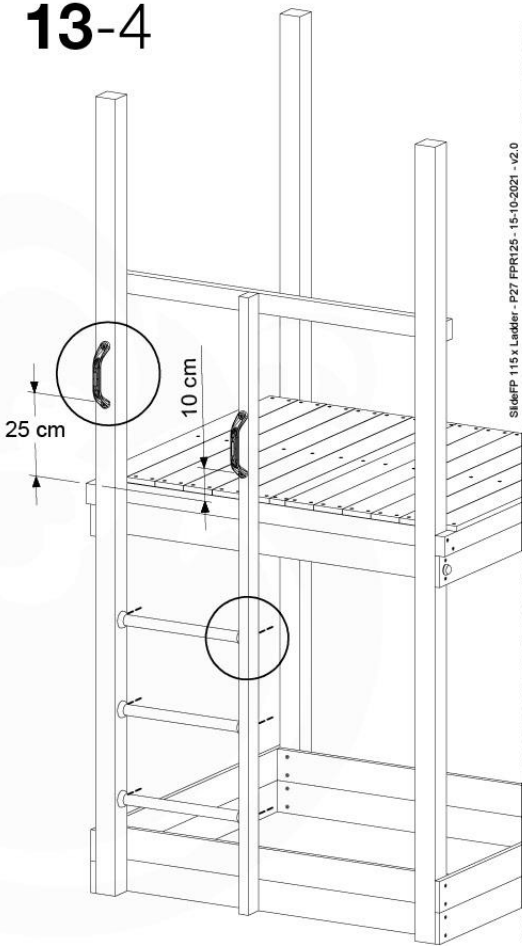
# 13-2



# 13-3



# 13-4



➔ Fireman's Pole (201\_275)  
040\_335 Part 2

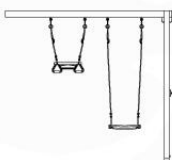
# 14 Swing Frame / Climb Frame



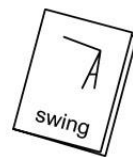
➔ 15



+



➔



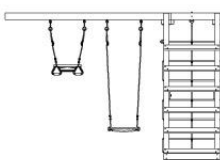
➔

15

1-Swing frame / 2-Swing frame  
457\_101  
457\_102



+



➔



➔

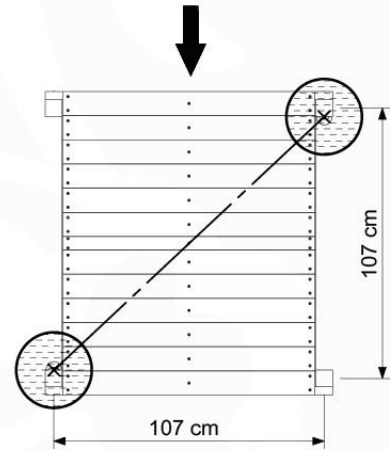
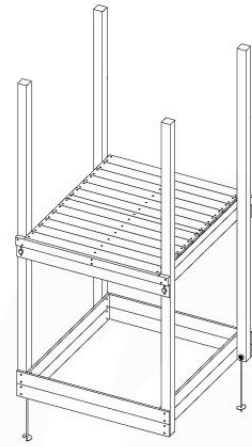
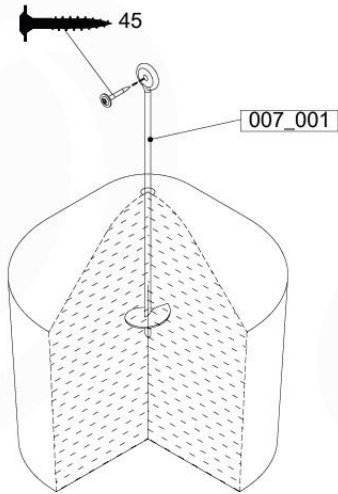
15

1-Climb frame / 2-Climb frame  
457\_105  
457\_106

# 15 Ground Anchors

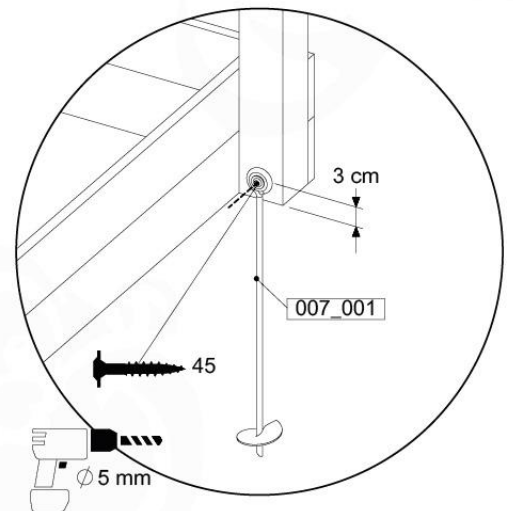
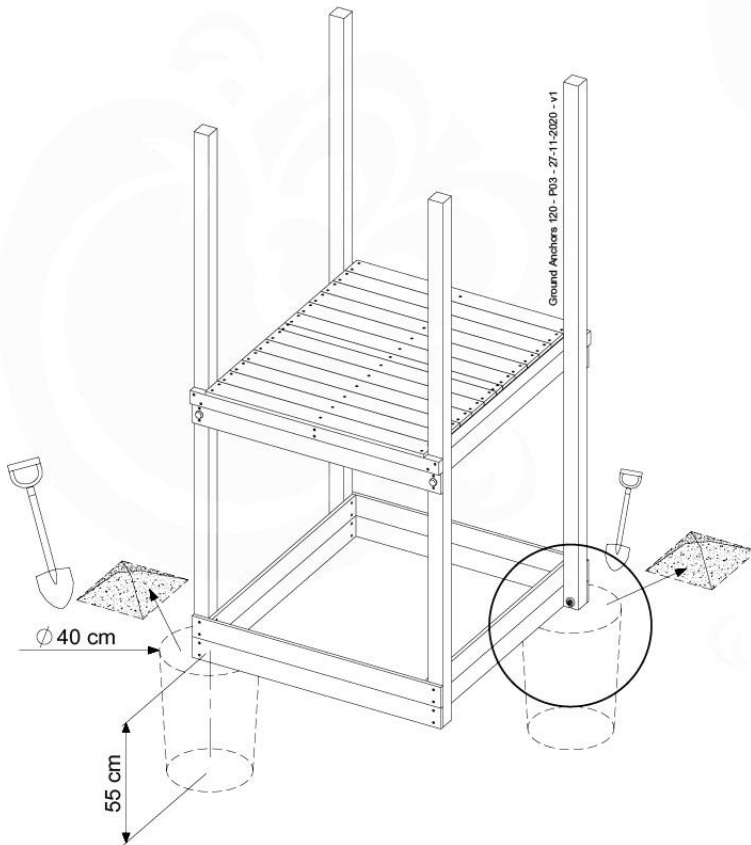
GA05

Parts:  
Hardware Package Tower →



Ground Anchors 120 - P02 - 27-11-2020 - v1

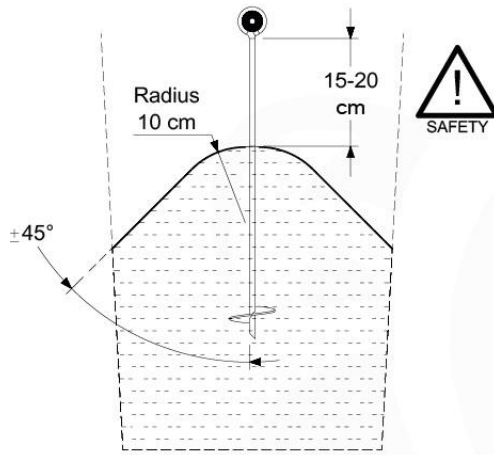
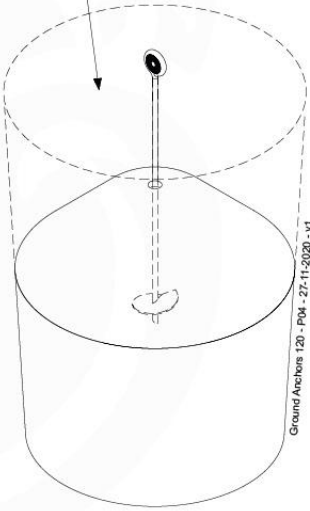
## 15-1



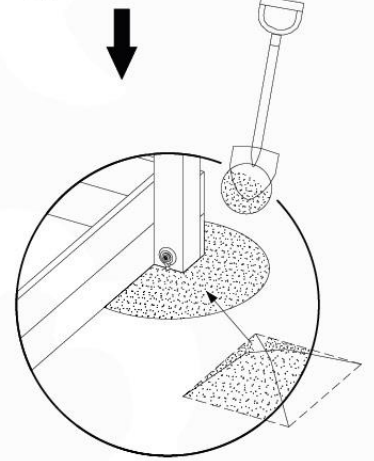
# 15-2



40 L / 80 kg



24h



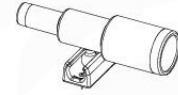
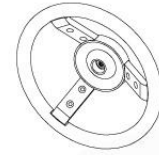
# 16 Accessories

AC01

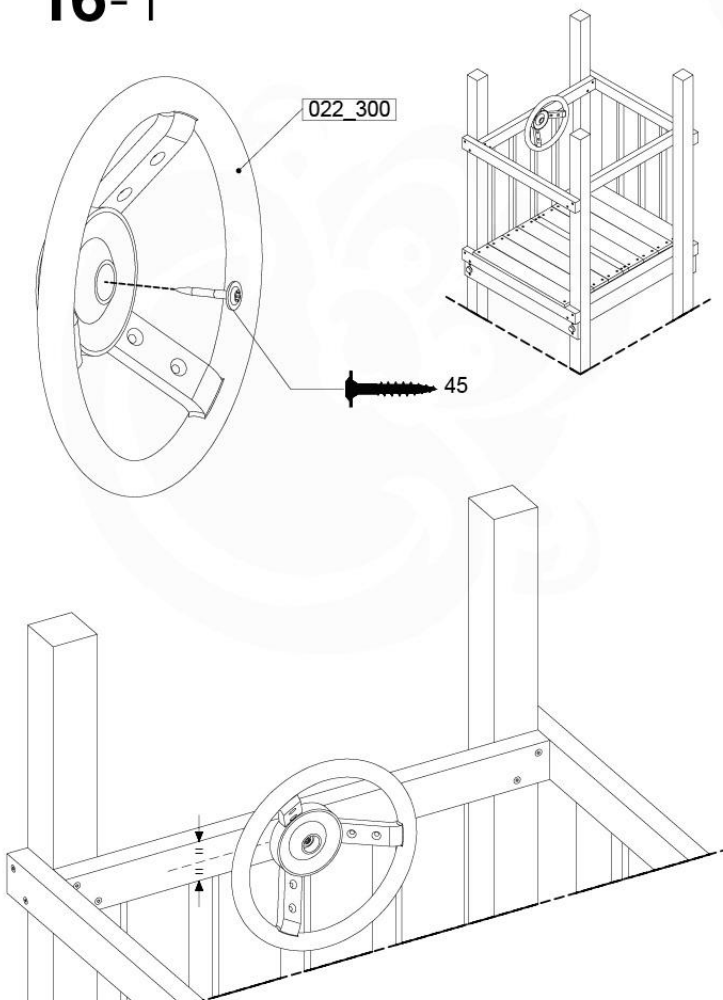
( 194\_119 )

	PartNo	PartName	QTY.
Hardware	001_406	Stealth Screw 8x45	1
	002_041	Dome head screw 4.5 x 20 mm	3
	002_042	Dome head screw 3.5 x 13mm	4
	002_219	Gap Point Screw T25 - 5x30	2
Other	022_300	Steering Wheel	1
	022_800	Rail P/T 105	1
	022_910	Sandpad	1
	103_901	Logo ID Plate	1
	104_107	Tool Set Climbing Units	1
	120_024	Tower Flag	1
	122_302	Telescope	1

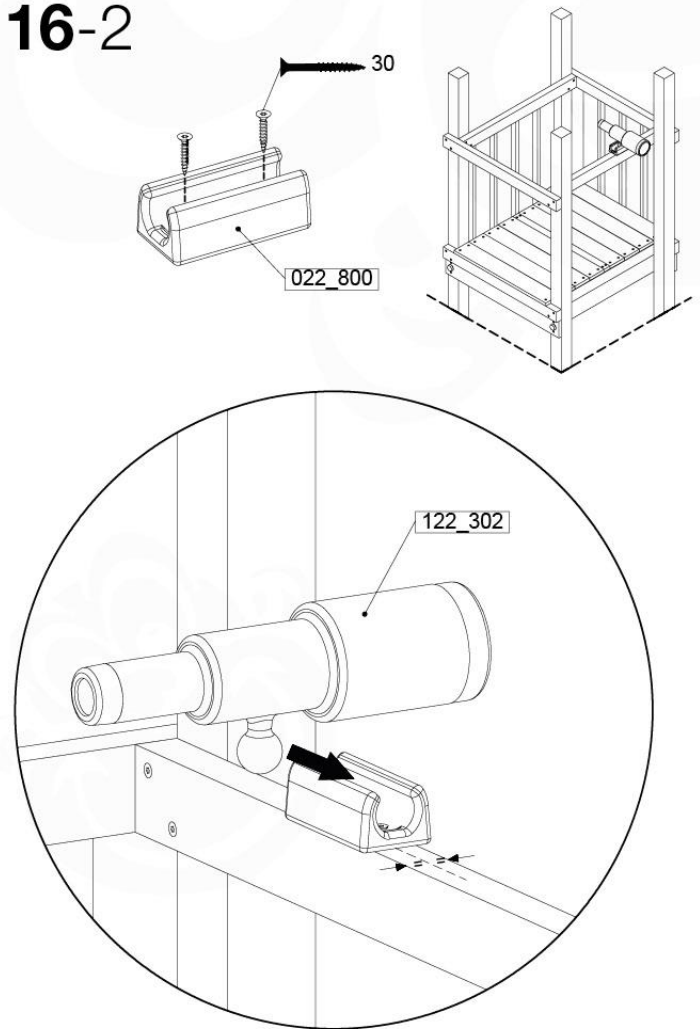
Accessory set - P02 - 28-9-2021 - 14



## 16-1



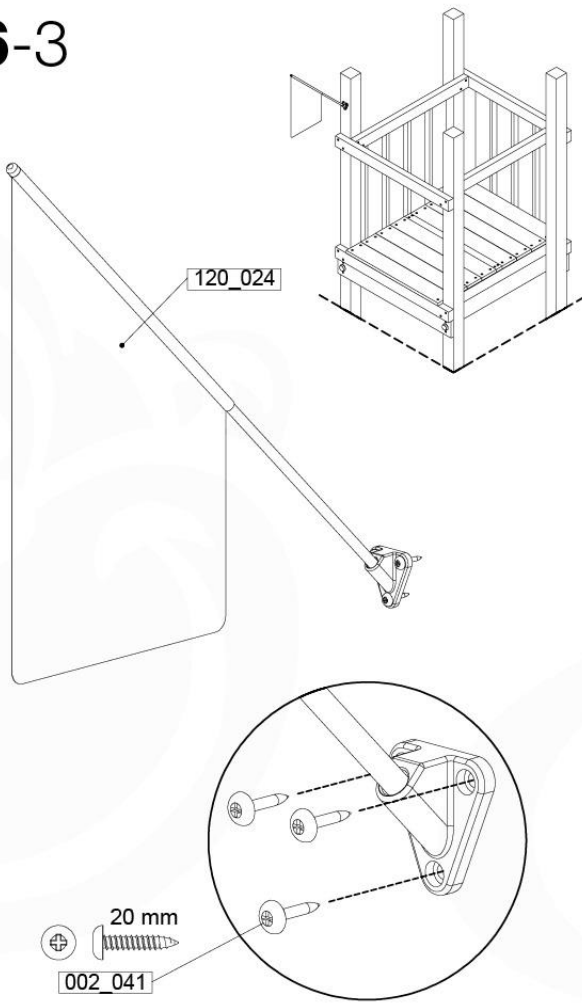
## 16-2



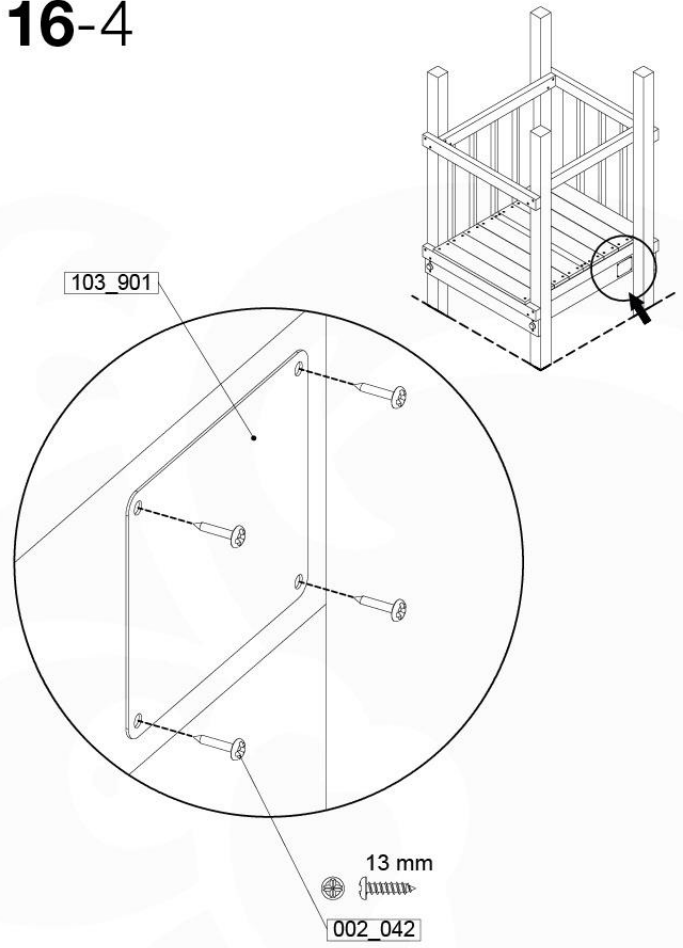
Accessory set - P03 - 28-9-2021 - 14



# 16-3



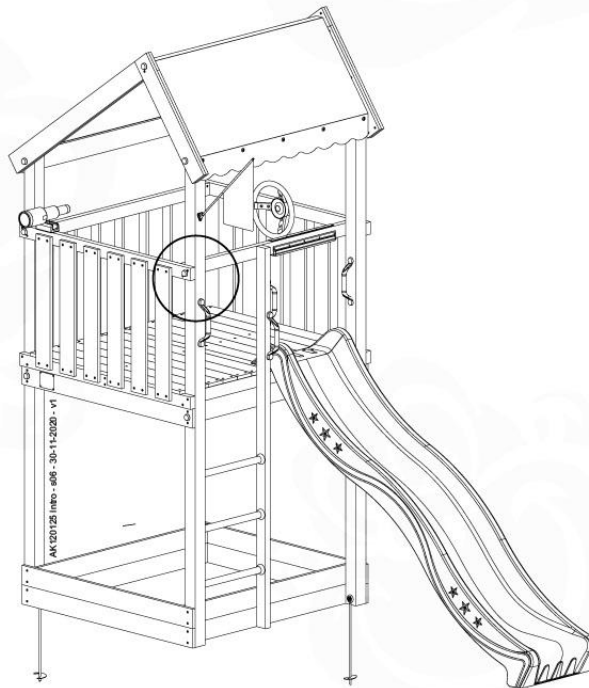
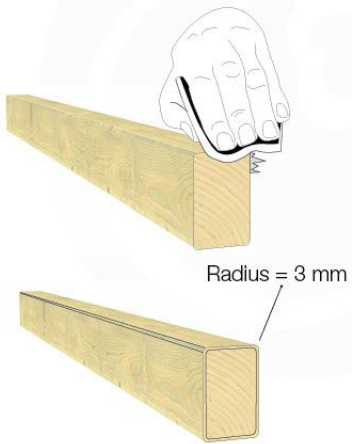
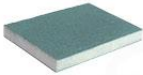
# 16-4

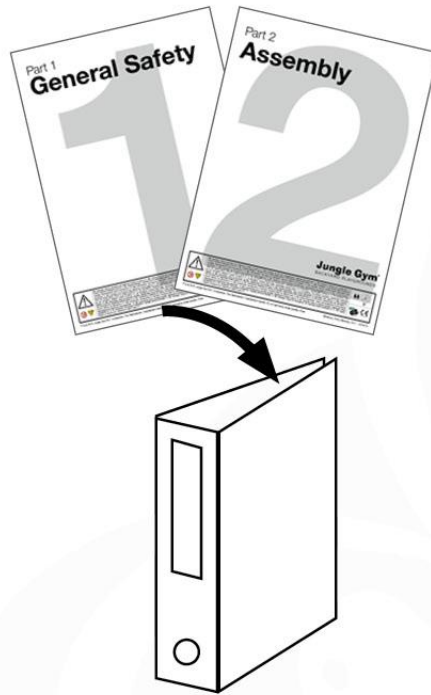


Accessoire set - PO4 - 29-9-2021 - v4

# 16-5

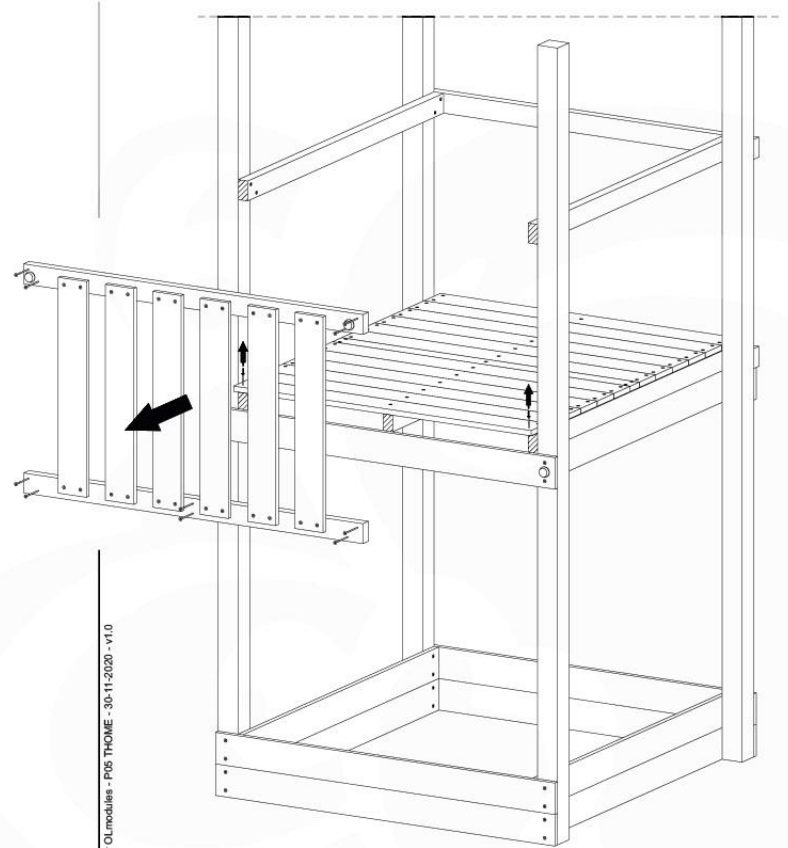
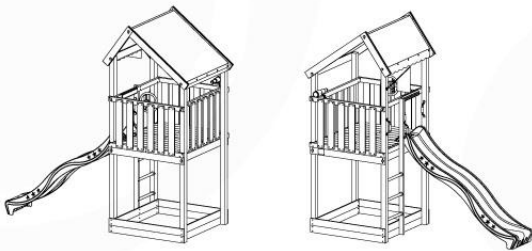
1x  
022\_910



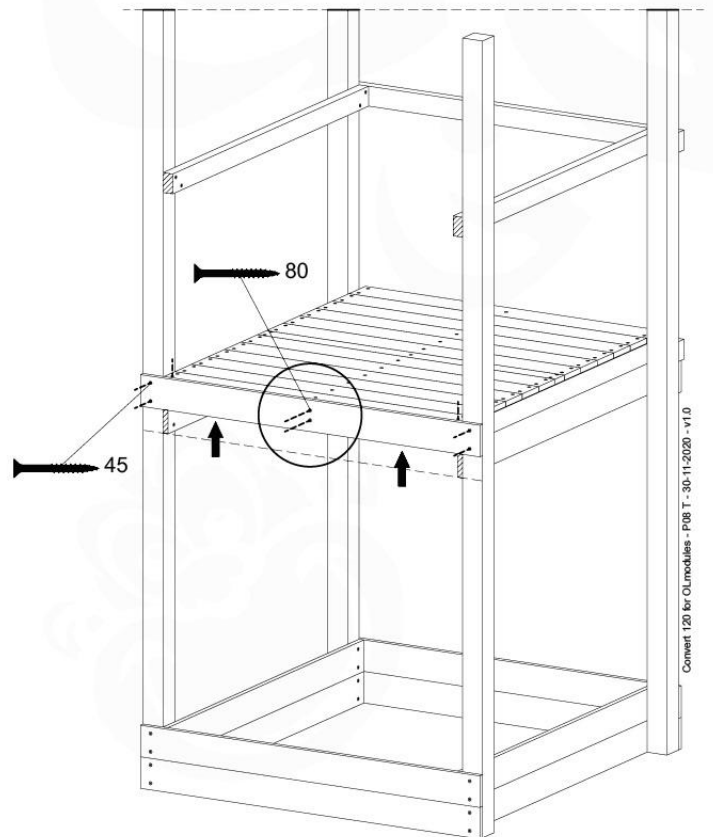
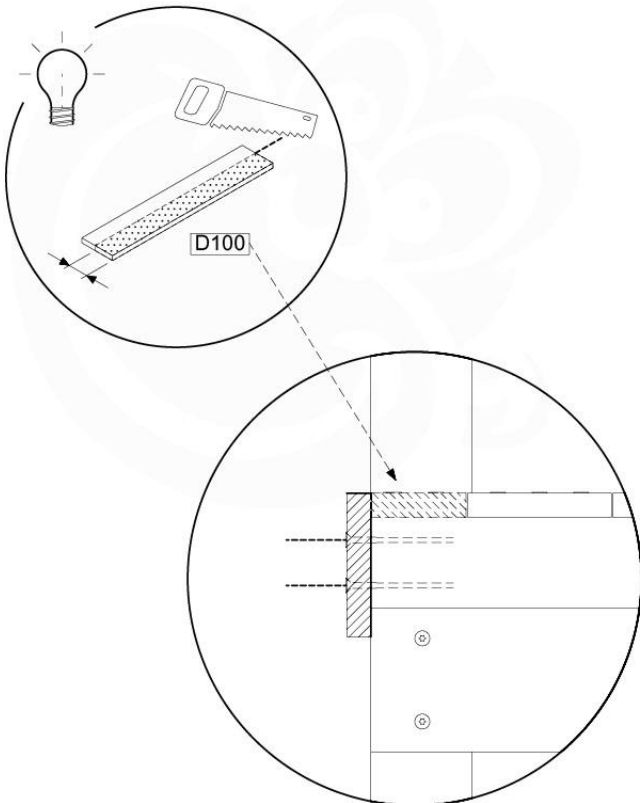


# 18 Tower preparation for Modules/ links

- 450\_240 / 850\_240 Bridge Module
- 450\_255 / 850\_255 Balcony Module
- 450\_410 / 850\_410 Boat Module
- 450\_415 / 850\_415 Train Module
- 470\_100 / 870\_100 Bridge Link
- 470\_105 / 870\_105 Net Link



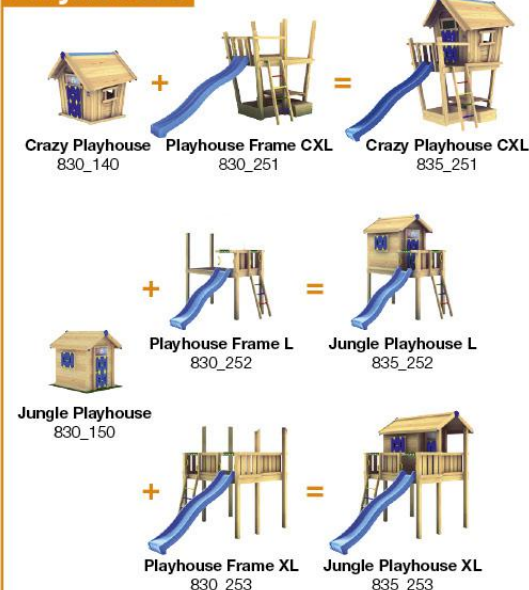
## 18-1



## Playtowers



## Playhouses



## Modules



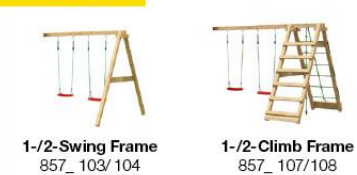
## Links



## Swings



## Frames



## Accessories

