

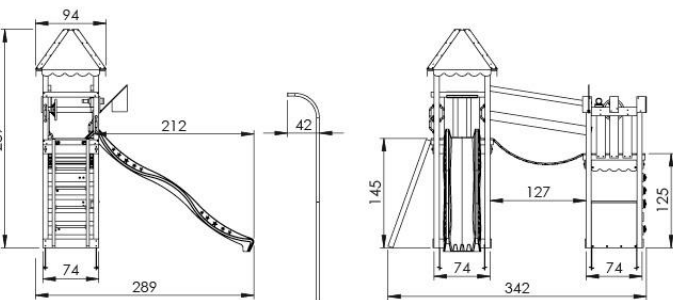
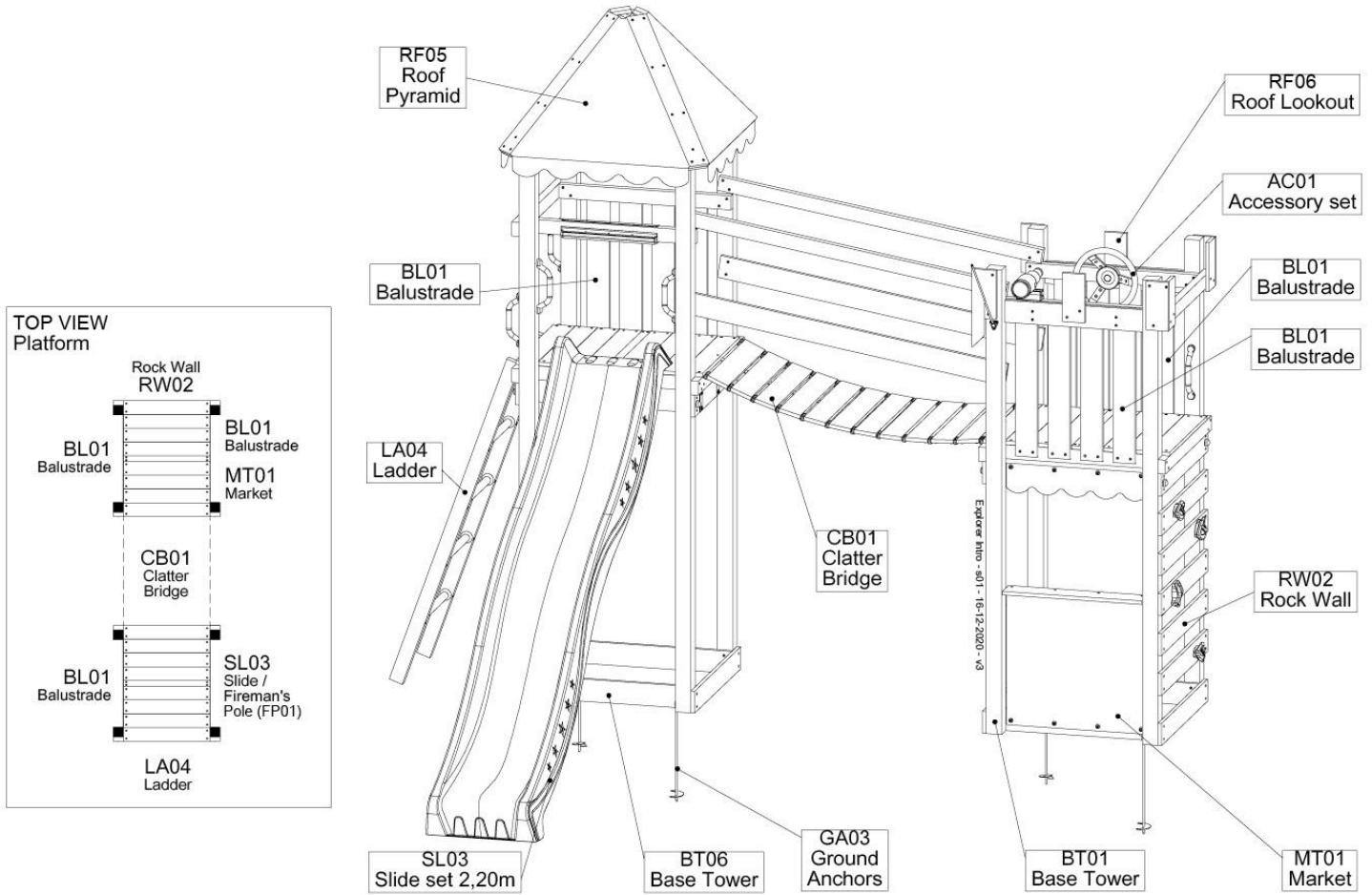
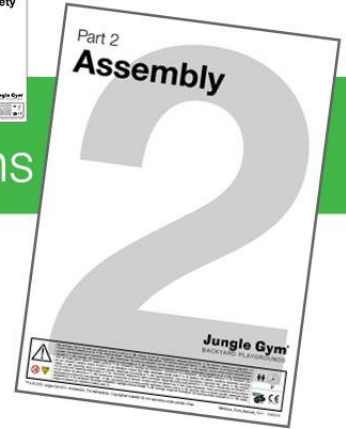
# Part 2

# Assembly

# Instructions

# Jungle Explorer

809\_802



# Jungle Gym

## BACKYARD PLAYGROUNDS

since 1988



**EN.** Warnings. Only for domestic use. Maximum number of users is 7. **DE.** Achtung. Nur für den Hausgebrauch. Maximale Benutzerzahl: 7. **FR.** Attention. Réserve à un usage familial. Le nombre maximal d'utilisateurs est de 7. **NL.** Waarschuwingen. Uitsluitend voor huishoudelijk gebruik. Het maximale aantal gebruikers is 7. **BG.** Внимание. За употреба само в домашни условия. Максималният брой потребители е 7. **CS.** Varování. Jen pro domácí použití. Maximální počet uživatelů je 7. **DA.** Advarsel. Kun til privat brug. Maksimum antal brugere er 7. **EL.** Προειδοποίηση. Μόνο για οικιακή χρήση. Μέγιστος αριθμός χρηστών 7. **ES.** Advertencias. Solo para uso doméstico. Número máximo de usuarios: 7. **ET.** Hoiatused. Ainult koduseks kasutamiseks. Maksimaalne kasutajate arv on 7. **FI.** Varoitukset. Ainoastaan kotikäyttöön. Käyttäjää yhteensä enintään 7. **HR.** Upozorenja. Samo za kućansku uporabu. Maksimalan broj korisnika je 7. **HU.** Figyelmeztetések. Csak otthoni használatra! A használók max. száma: 7. **IS.** Varnaðarorð. Engöngu fyrir einkanoðkun í heimahúsum og á einkalóðum. Hámarksfjöldi notenda er 7. **IT.** Avvertenze. Solo per uso domestico. Massimo numero di utenti è 7. **LT.** Įspėjimai. Tik buitnam naudojimui. Maksimalus naudotojų skaičius 7. **LV.** Brīdinājumi. Izmantoj tikai mājās. Maksimālais lietotāju skaits ir 7. **NO.** Advarsel. Kun for privat bruk. Maksimalt antall brukere er 7. **PL.** Ostrzeżenia. Wyłącznie do użytku domowego. Maksymalna liczba użytkowników to 7. **PT.** Avisos. Apenas para uso doméstico. O número máximo de utilizadores é 7. **RO.** Avertismente. Numai pentru uz domestic. Numărul maxim de utilizatori este 7. **RU.** Предостережения. Только для домашнего использования. Максимальное количество пользователей - 7. **SK.** Upozornenia. Iba na domáce použitie. Maximálne množstvo osôb je 7. **SL.** Opozorila. Samo za domačo uporabo. Maksimalno število uporabnikov je 7. **SR.** Upozorenja. Samo za kućnu upotrebu. Maksimalan broj korisnika je 7. **SV.** Varningar. Endast för hemmabruk. Det maximala antalet användare är 7. **TR.** Uyarılar. Sadece ev kullanımı için. Maksimum kullanıcı sayısı 7.



# 01 What's in the Delivery?

409\_802

|   |   |  |  |   |
|---|---|--|--|---|
| <p><b>1x</b><br/>040_805</p> <p><b>1x</b><br/>040_080</p> | <p><b>1x</b><br/>022_300</p>                              | <p><b>1x</b><br/>120_024</p>   | <p><b>4x</b><br/>022_5xx</p>   | <p><b>3x</b><br/>120_102</p> <p><b>6x</b><br/>022_320</p> <p><b>12x</b><br/>001_104</p>   |
| <p><b>4x</b><br/>007_001</p>                              | <p><b>1x</b><br/>122_302</p> <p><b>1x</b><br/>022_800</p> | <p><b>4x</b><br/>005_03x</p> <p><b>8x</b><br/>022_835</p> <p><b>2x</b><br/>005_522</p> | <p><b>1x</b><br/>123_200</p> <p><b>1x</b><br/>103_901</p>  | <p><b>1x</b><br/>100_605</p> <p><b>1x</b><br/>100_607</p> <p><b>1x</b><br/>100_610</p> <p><b>1x</b><br/>100_611</p> <p><b>1x</b><br/>100_614</p> <p><b>1x</b><br/>100_617</p> <p><b>1x</b><br/>100_903</p> <p><b>1x</b><br/>100_904</p> <p><b>2x</b><br/>100_600</p> <p><b>3x</b><br/>100_601</p> |
| <p><b>1x</b><br/>104_107</p>                              | <p><b>1x</b><br/>022_910</p>                              | <p><b>3x</b><br/>121_114</p> <p><b>26x</b><br/>022_911</p> <p>2,10 m</p>               | <p><b>3x</b><br/>123_220</p> <p><b>1x</b><br/>201_275</p> <p><b>1x</b><br/>334_x00</p> <p>73,5 cm</p> <p>Canvas</p> <p>FMP / Slide</p> |   |

# 02 Hardware

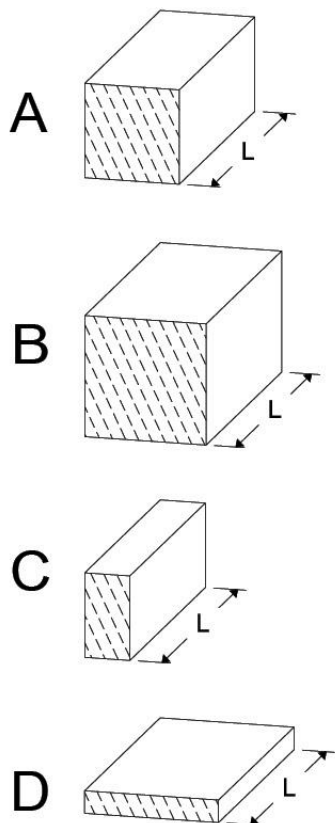
Total HWP 100\_xxx Jungle Explorer

20211028

|                            |  |             |                           |  |           |
|----------------------------|--|-------------|---------------------------|--|-----------|
| <b>001_102</b> <b>10x</b>  |  | M8 x 30mm   | <b>000_101</b> <b>10x</b> |  | ø2 x 20mm |
| <b>001_406</b> <b>13x</b>  |  | ø8 x 45mm   | <b>003_010</b> <b>10x</b> |  | M8x14.2mm |
| <b>001_404</b> <b>4x</b>   |  | ø8 x 30mm   | <b>003_034</b> <b>72x</b> |  | M6x17.7mm |
| <b>002_223</b> <b>80x</b>  |  | ø5 x 80mm   | <b>004_050</b> <b>10x</b> |  | M8 x 22mm |
| <b>002_220</b> <b>258x</b> |  | ø5 x 45mm   | <b>023_031</b> <b>8x</b>  |  | ø5mm      |
| <b>002_219</b> <b>70x</b>  |  | ø5 x 30mm   | <b>120_005</b> <b>8x</b>  |  | M8        |
| <b>002_308</b> <b>10x</b>  |  | ø5.0 x 20mm |                           |  |           |
| <b>002_036</b> <b>72x</b>  |  | ø6.3 x 16mm |                           |  |           |
| <b>002_041</b> <b>3x</b>   |  | ø4.5 x 20mm |                           |  |           |
| <b>002_042</b> <b>4x</b>   |  | ø3.5 x 13mm |                           |  |           |

# 03 Timber

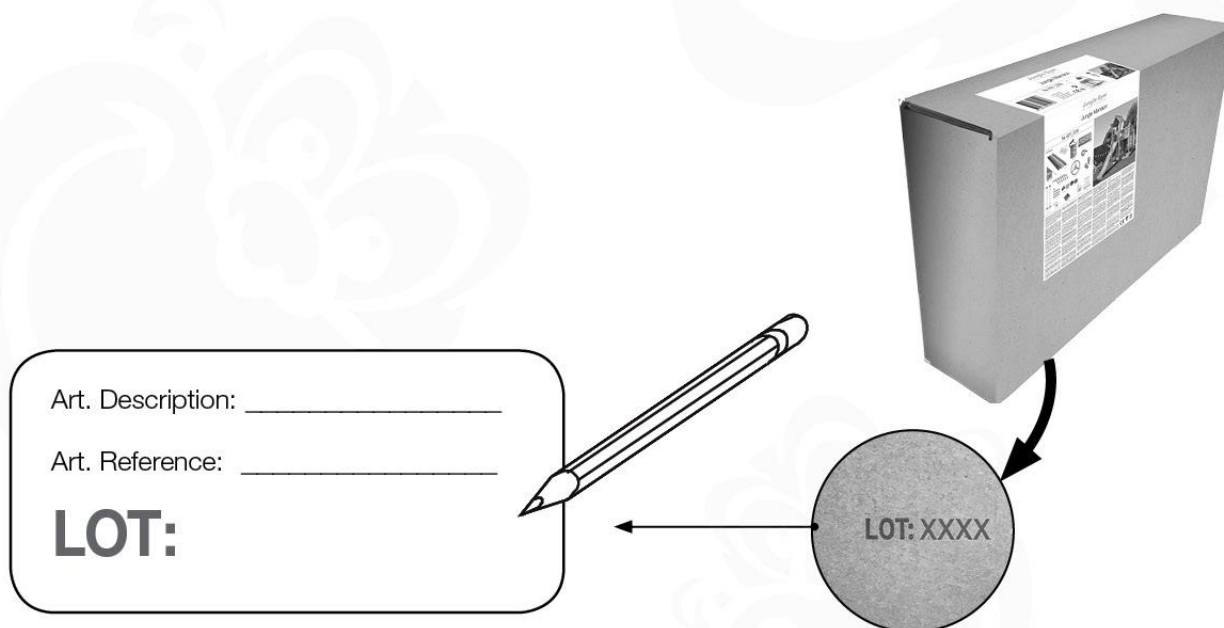
609\_802 Timber pack Jungle Explorer



| L    |               |      |
|------|---------------|------|
| A240 | 239cm - 240cm | 4 x  |
| A200 | 199cm - 200cm | 4 x  |
|      |               |      |
| C150 | 149cm - 150cm | 2 x  |
| C141 | 140cm - 141cm | 2 x  |
| C74  | 73cm - 74cm   | 15 x |
| C62  | 61cm - 62cm   | 1 x  |
| D141 | 140cm - 141cm | 2 x  |
| D74  | 73cm - 74cm   | 29 x |
| D65  | 64cm - 65cm   | 12 x |
| D60  | 59cm - 60cm   | 35 x |
| D21  | 20cm - 21cm   | 10 x |

28-Oct-2021

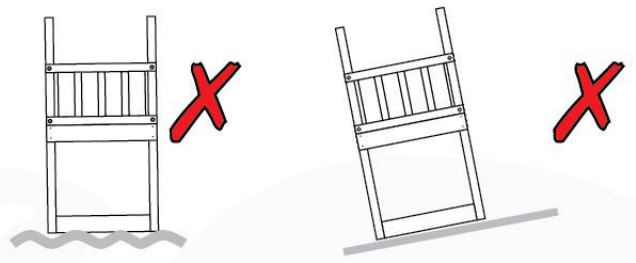
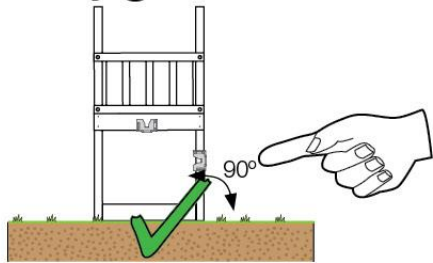
# 04 Product ID



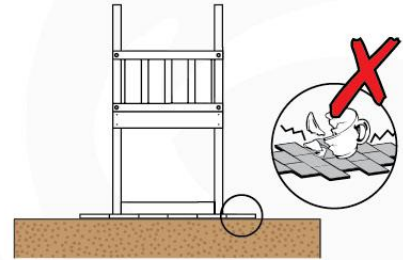
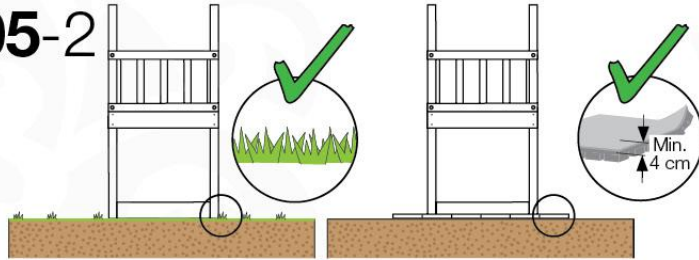


# 05 Safe Playground Planning

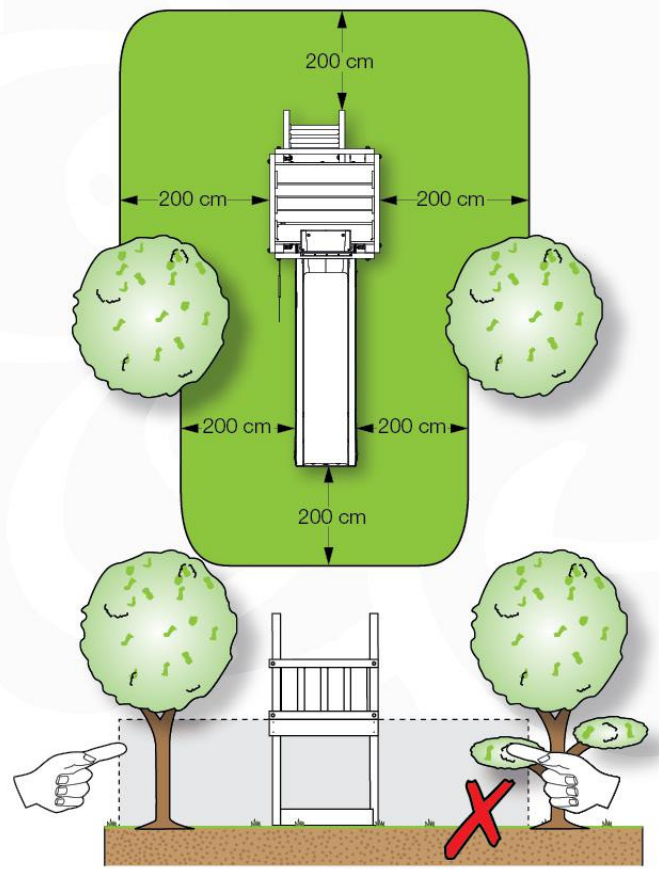
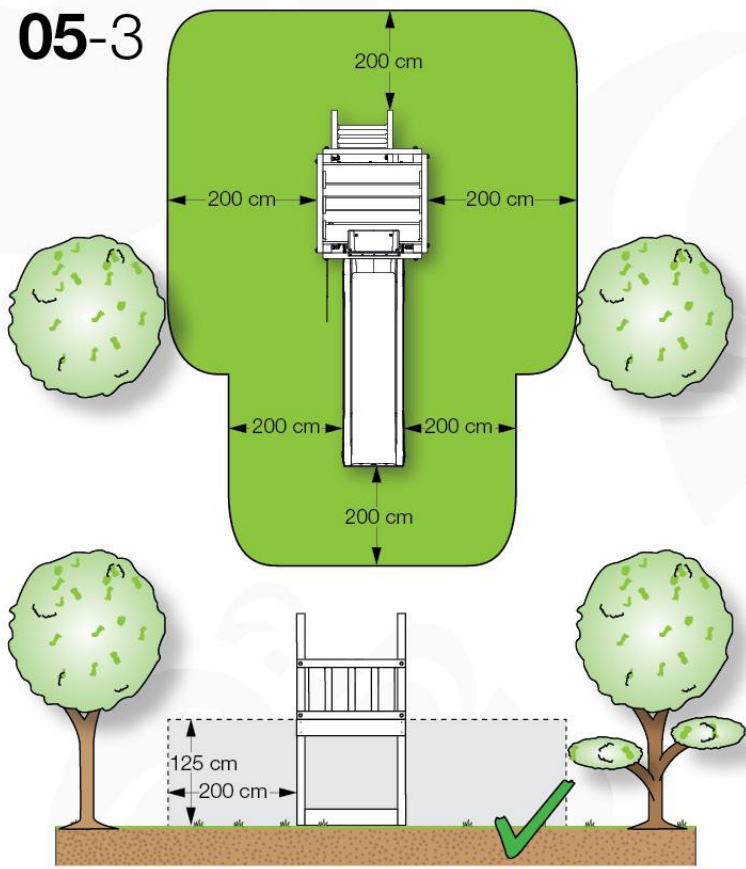
## 05-1



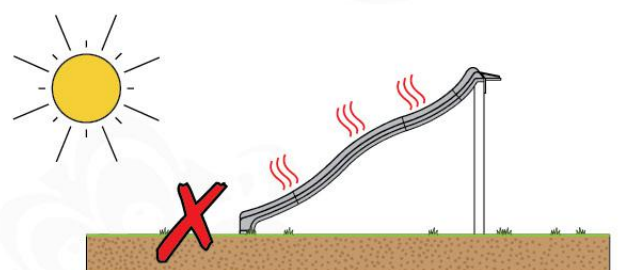
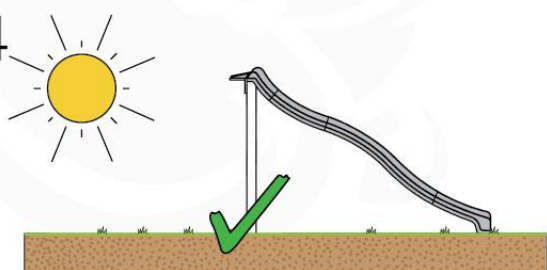
## 05-2



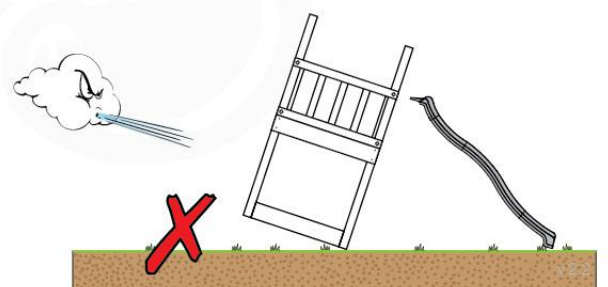
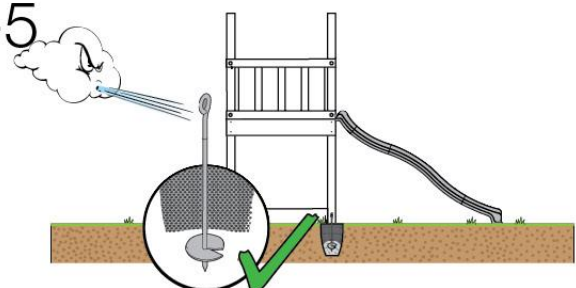
## 05-3



## 05-4



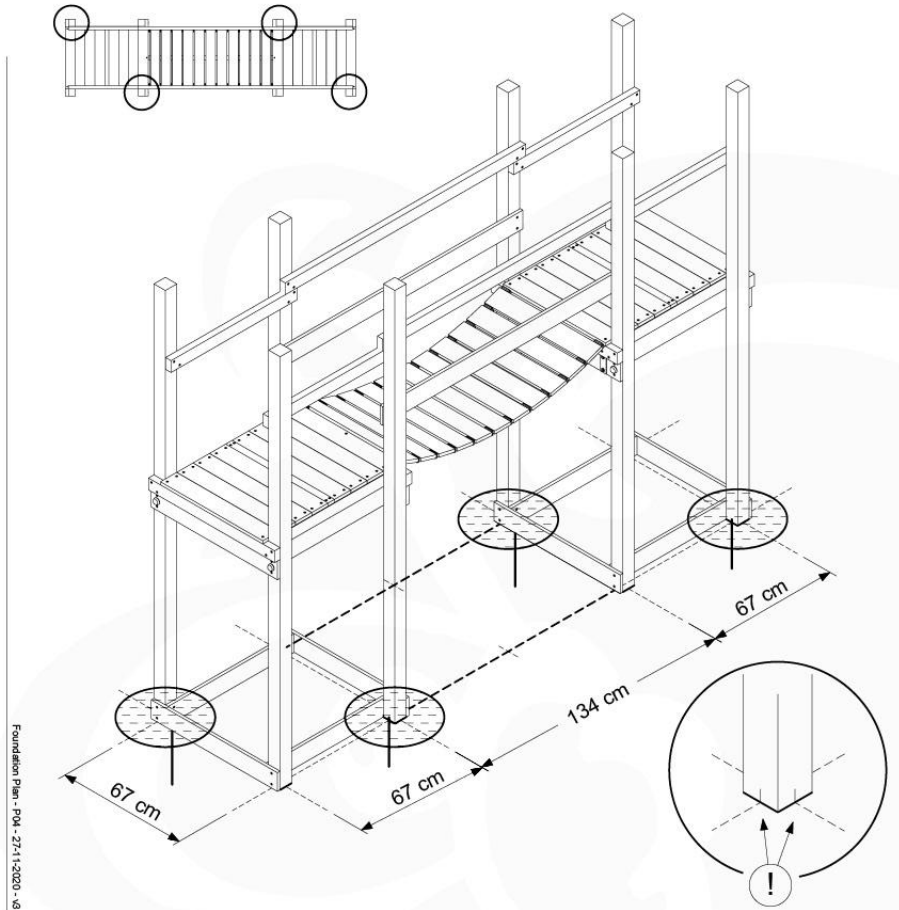
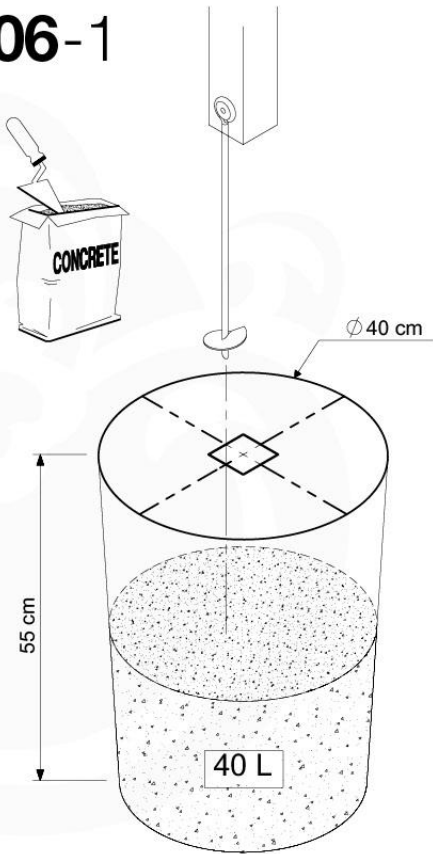
## 05-5



# 06 Playground Foundation

FD03

## 06-1



Foundation Plan - P04 - 2711-2020 - 18

See Foundation Plan 05

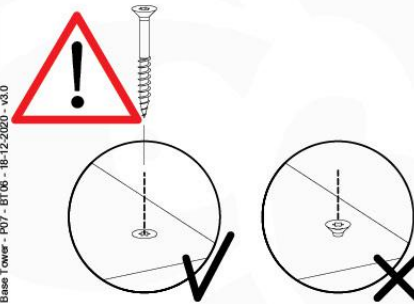
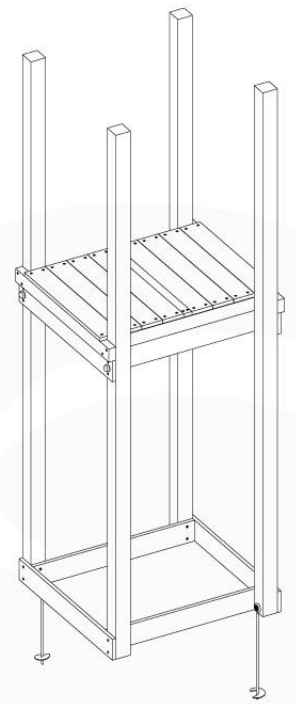
# 07 Base Tower

BT06

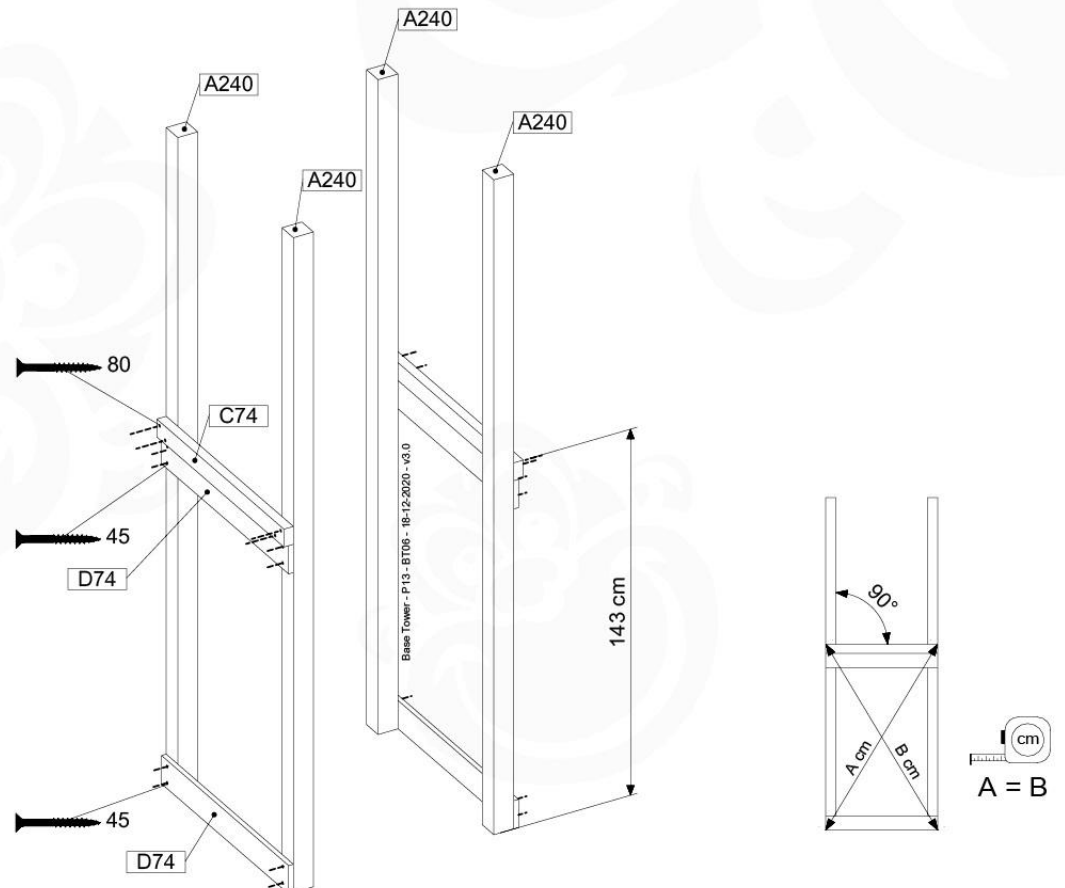
( 194\_100 )

|                          | PartNo  | PartName                   | QTY. |
|--------------------------|---------|----------------------------|------|
| Hardware Pack<br>100_600 | 001_406 | Stealth Screw 8x45         | 6    |
|                          | 002_220 | Gap Point Screw T25 - 5x45 | 72   |
|                          | 002_223 | Gap Point Screw T25 - 5x80 | 16   |
| Other                    | 007_001 | Ground-anchor              | 2    |
| Hardware Pack<br>100_600 | 022_31x | bpc-base version 3         | 4    |
|                          | 022_84x | bpc cover                  | 4    |
| Wood                     | A240    | Post 70x70 L2400           | 4    |
|                          | C74     | Beam 740 mm                | 4    |
|                          | D60     | Board 600 mm               | 10   |
|                          | D74     | Board 740 mm               | 8    |

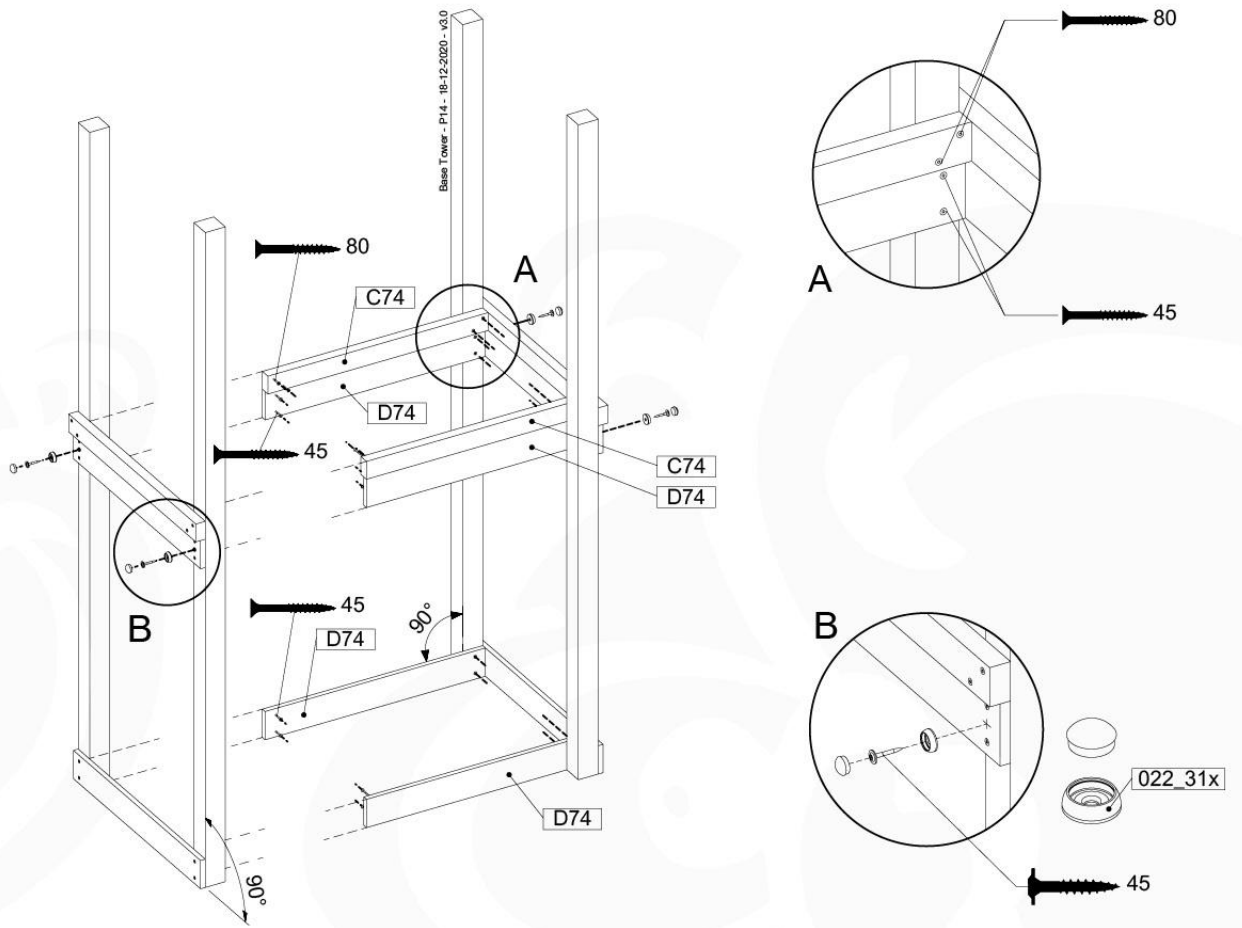
Base Tower - P07 - BT06 - 18-12-2020 - v3.0



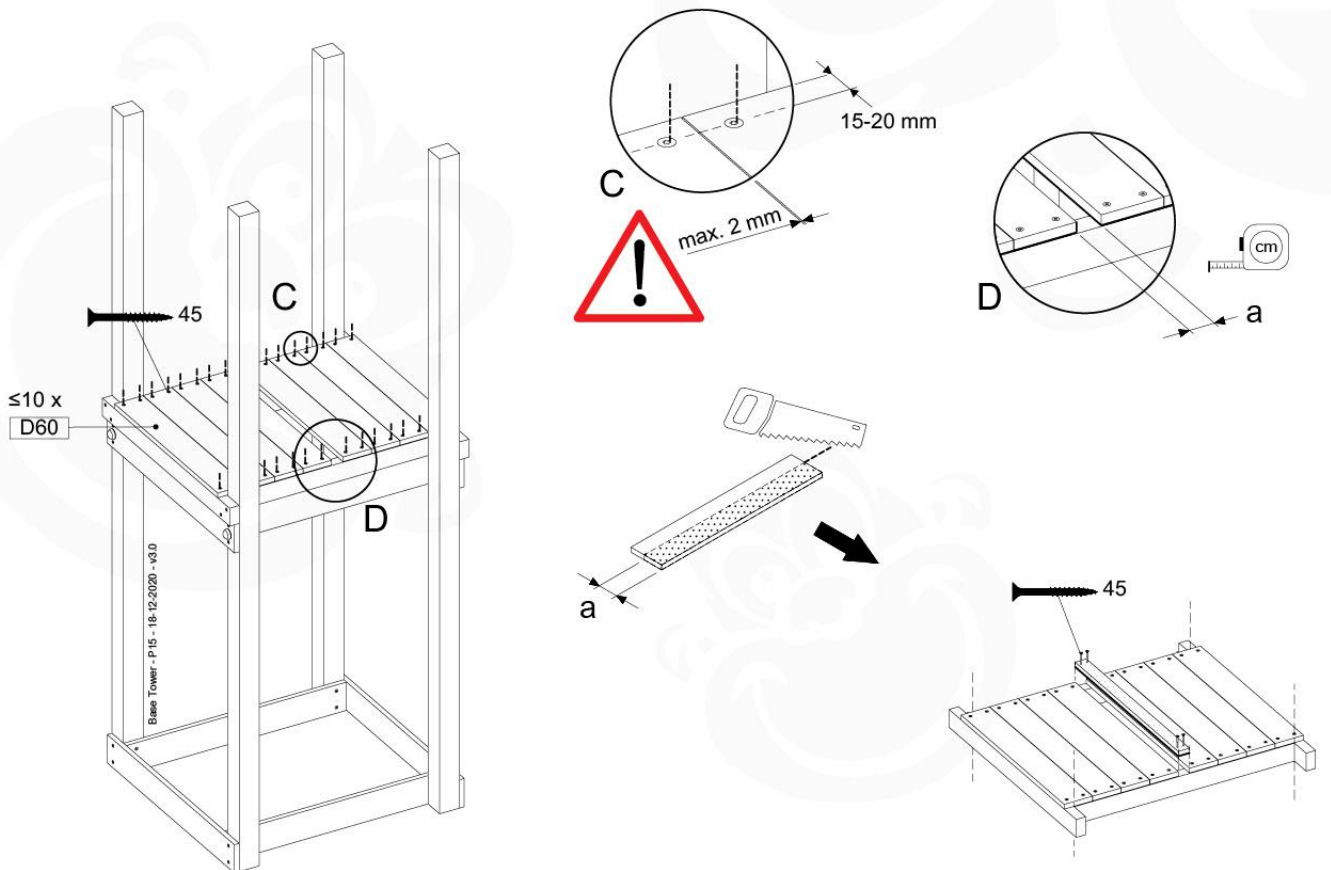
## 07-1



# 07-2



# 07-3





# 08 Balustrade (1x)

BL01

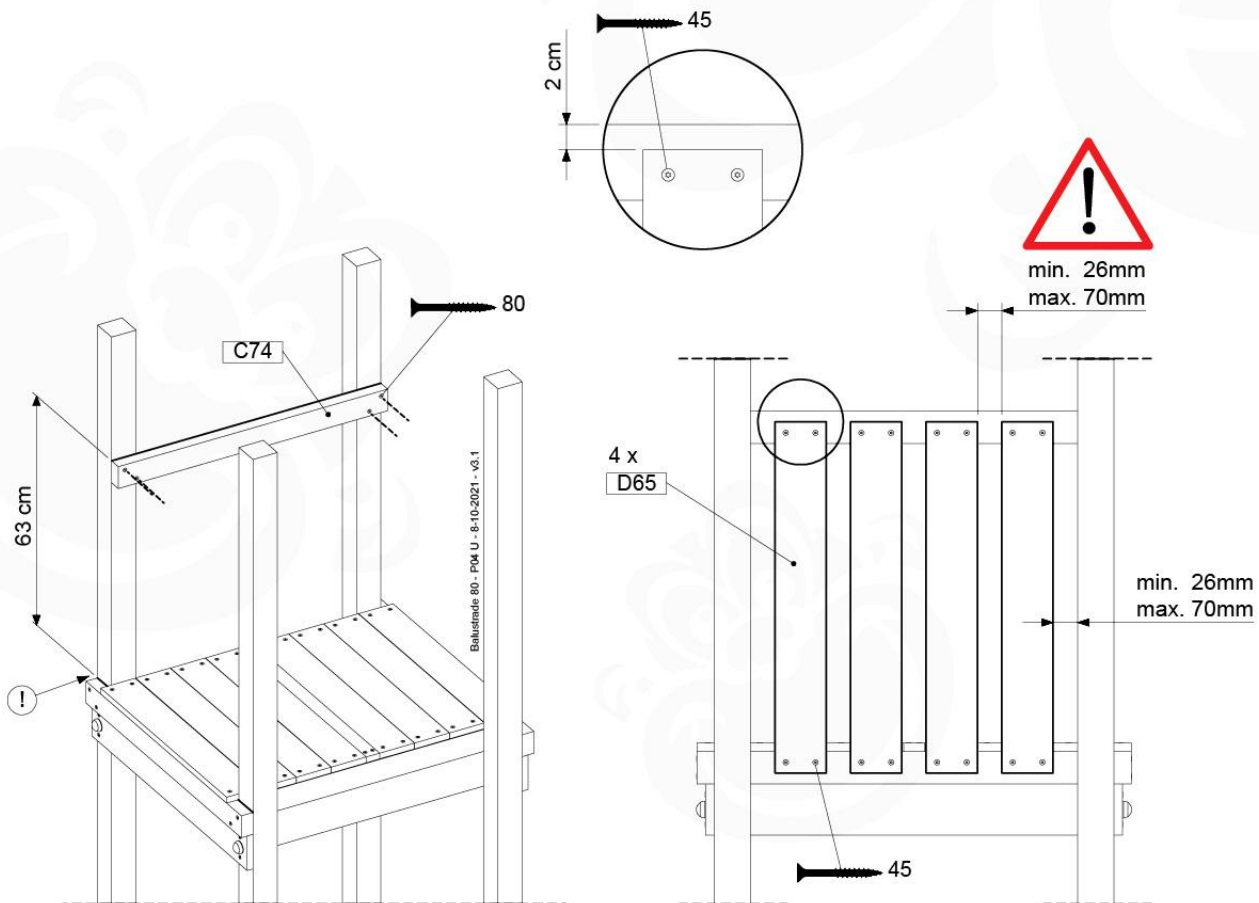


( 194\_101 )

|                          | PartNo  | PartName                   | QTY. |
|--------------------------|---------|----------------------------|------|
| Hardware Pack<br>100_601 | 002_220 | Gap Point Screw T25 - 5x45 | 16   |
|                          | 002_223 | Gap Point Screw T25 - 5x80 | 4    |
| Wood                     | C74     | Beam 740 mm                | 1    |
|                          | D65     | Board 650 mm               | 4    |

Balustrade 80 - PO2 U - 8-10-2021 - v3.1

## 08-1





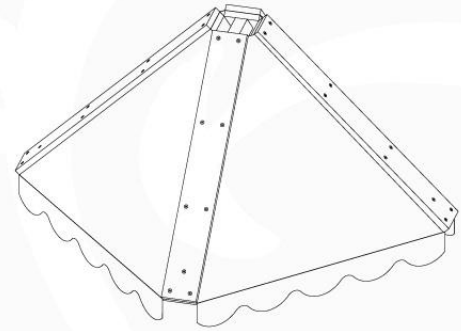
# 09 Roof Pyramid

RF05

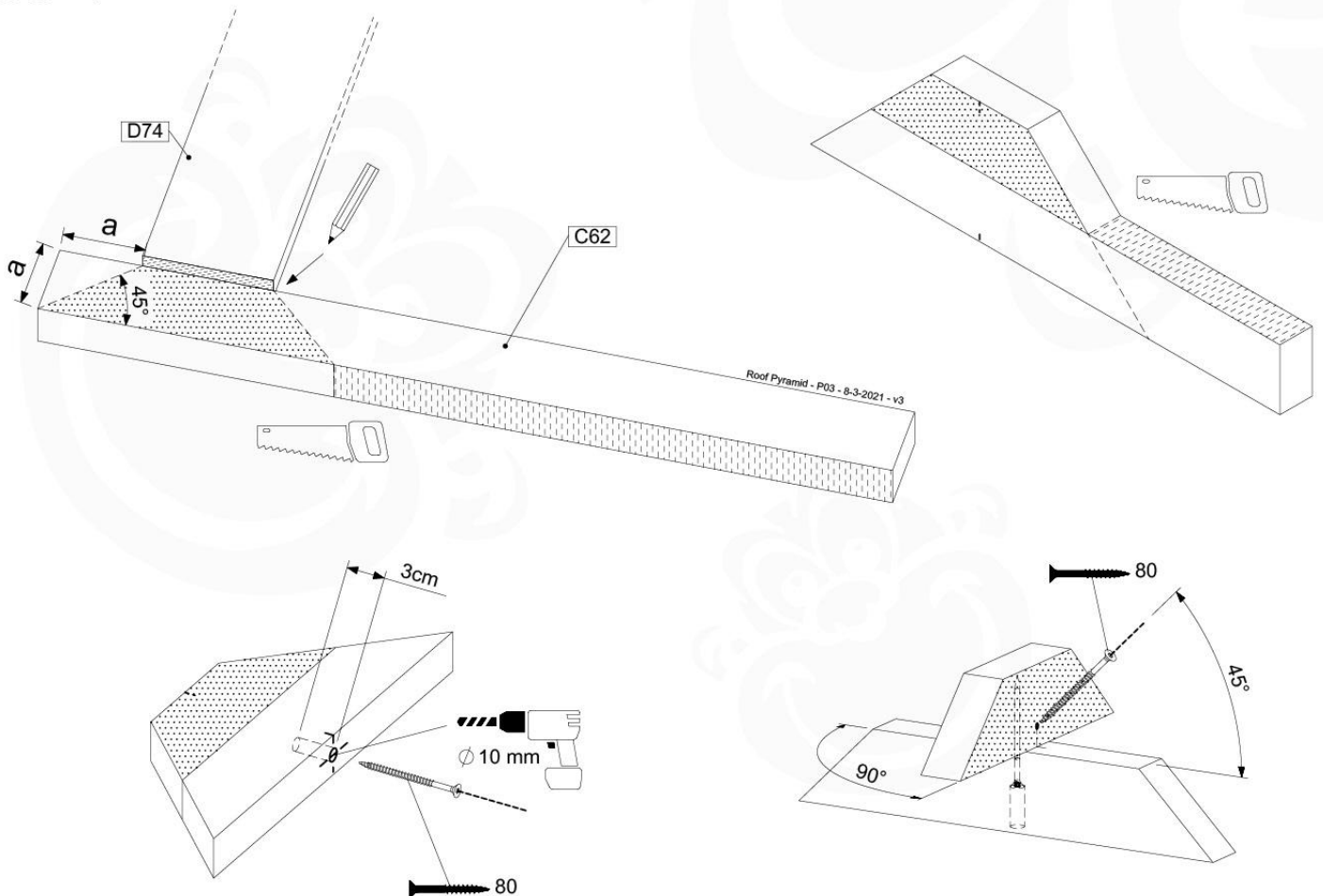
( 194\_109 )

|                          | PartNo  | PartName                                 | QTY. |
|--------------------------|---------|--|------|
| Hardware Pack<br>100_607 | 002_219 | Gap Point Screw T25 - 5x30               | 32   |
|                          | 002_220 | Gap Point Screw T25 - 5x45               | 8    |
|                          | 002_223 | Gap Point Screw T25 - 5x80               | 6    |
| Other                    | 123_220 | Canvas sheet 735 x 1365mm (fits 2 sides) | 2    |
| Wood                     | C62     | Beam 620 mm                              | 1    |
|                          | D74     | Board 740 mm                             | 8    |

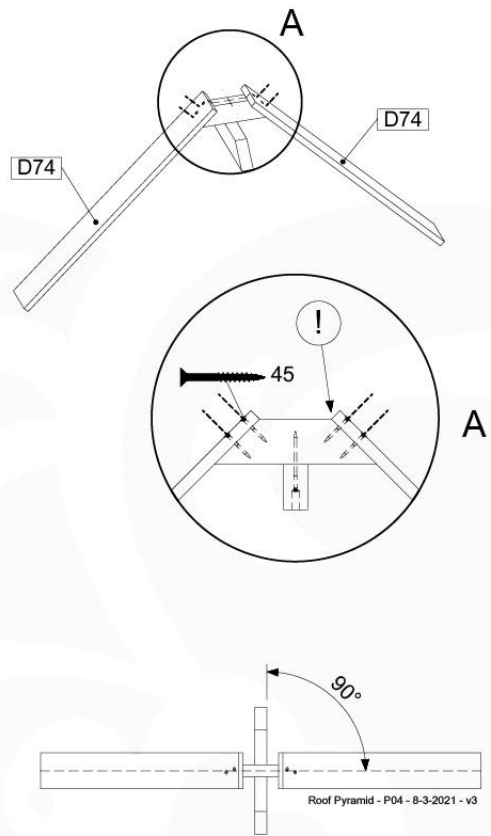
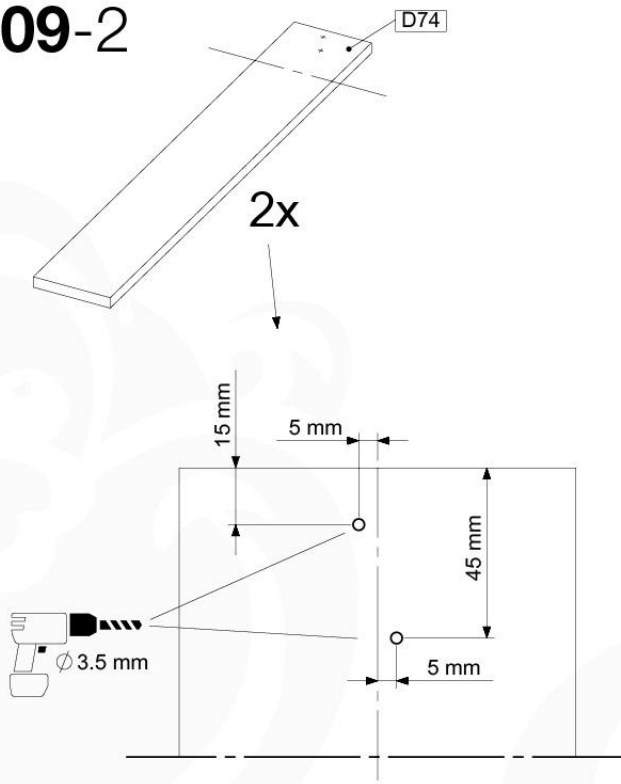
Roof Pyramid - P02 - 8-3-2021 - v3



## 09-1

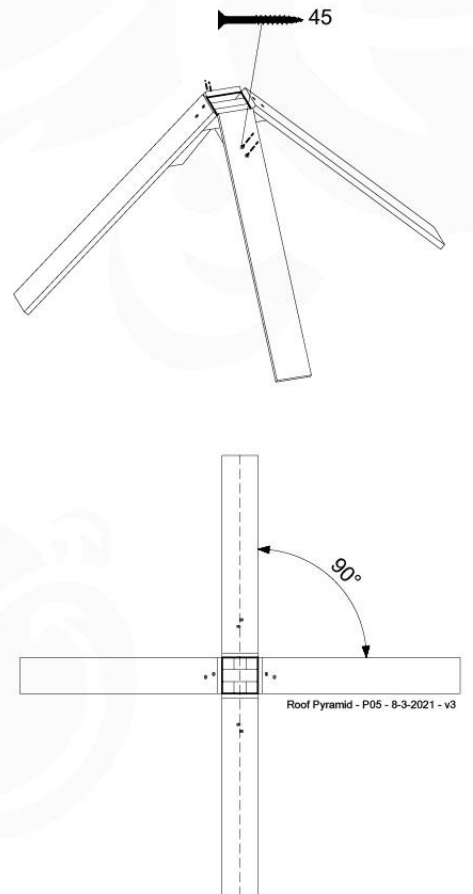
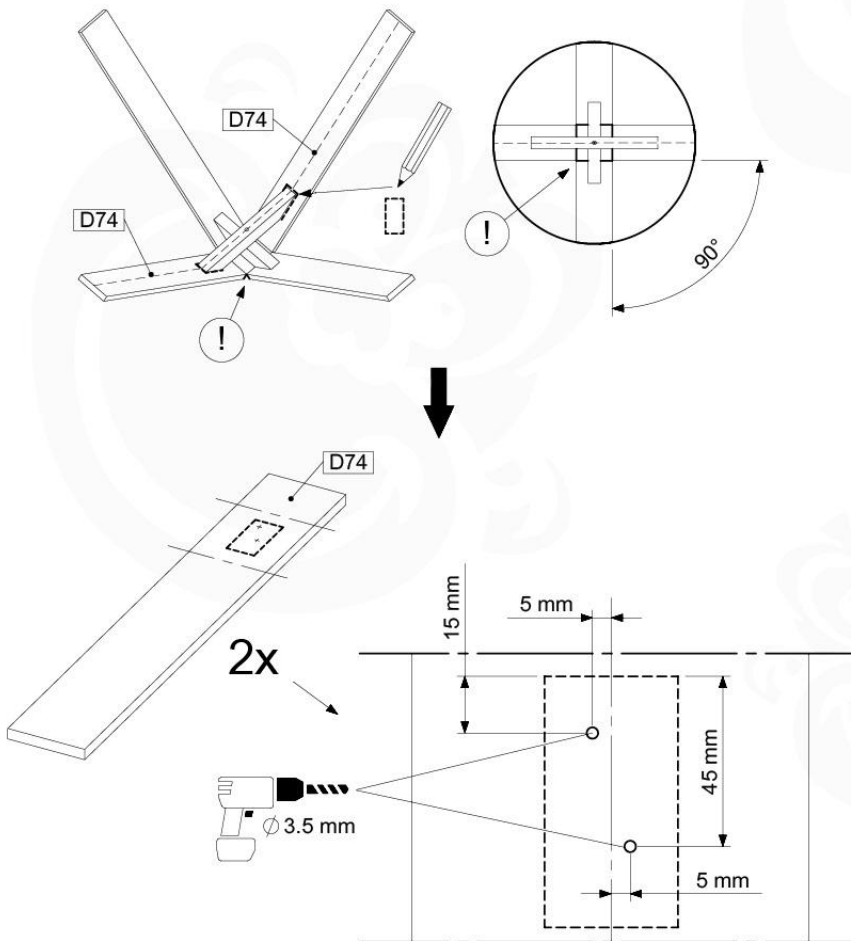


# 09-2

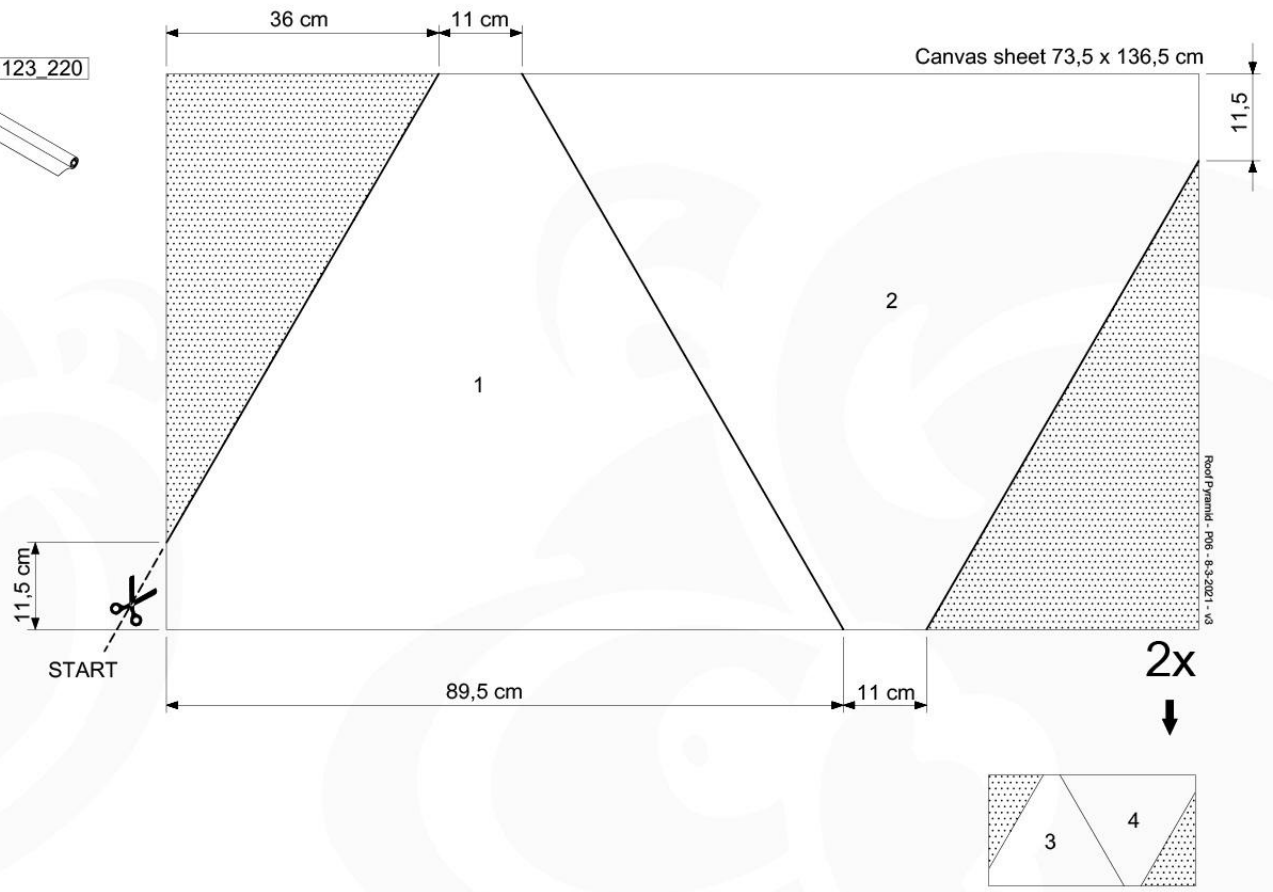
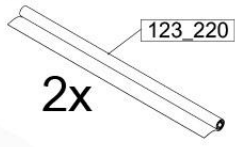


Manual de Feet Pyramid 1

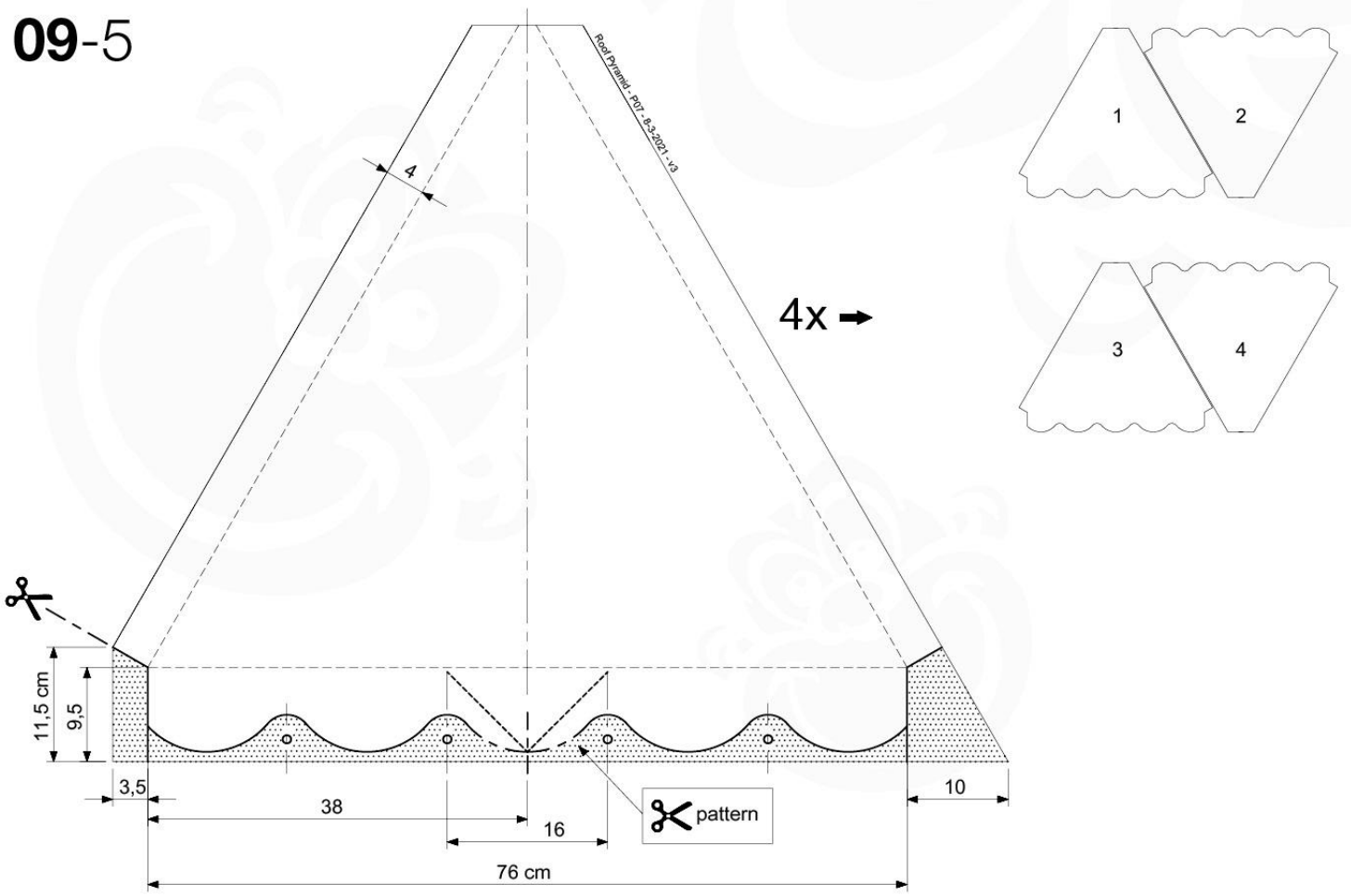
# 09-3



# 09-4

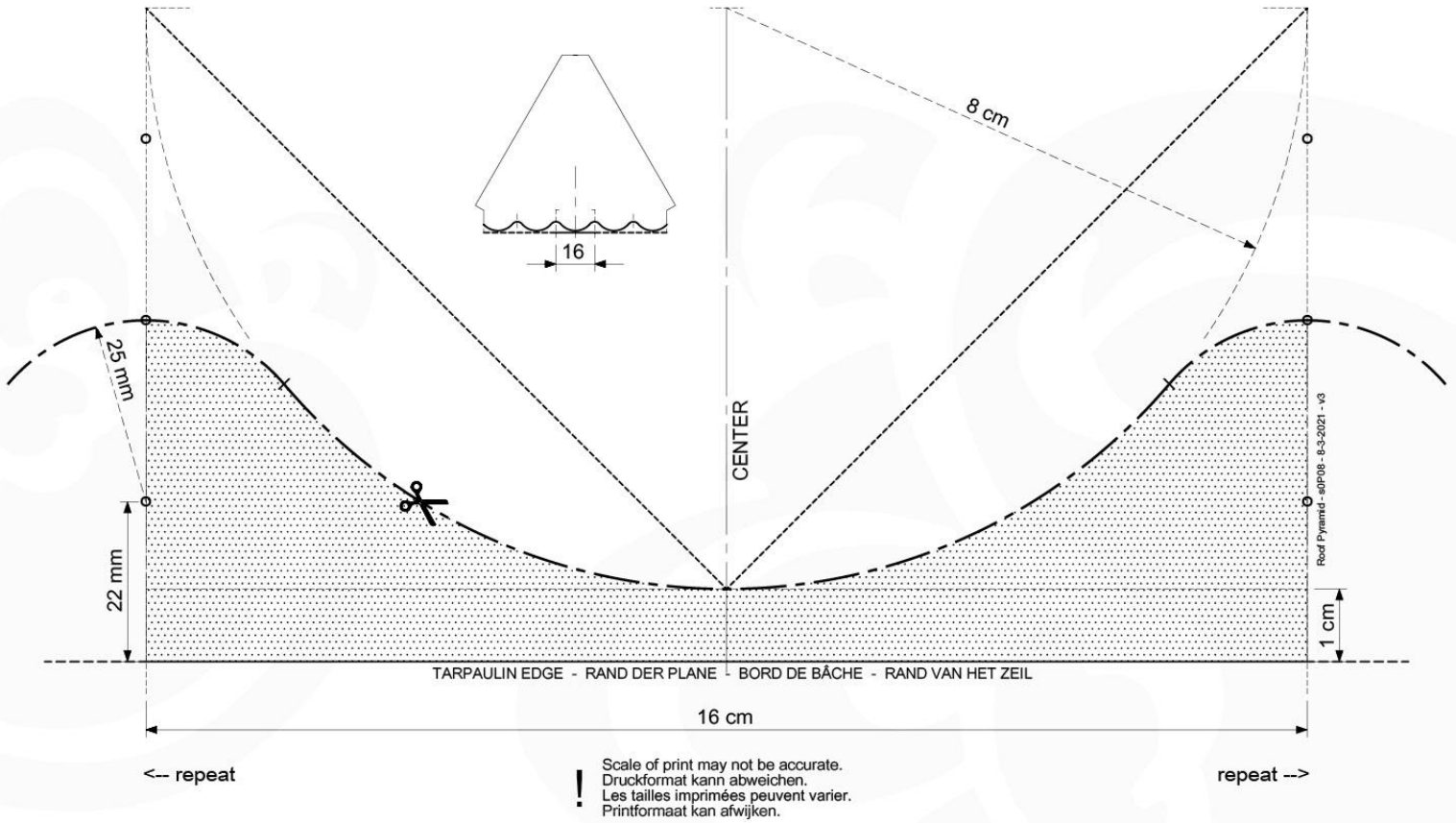


# 09-5

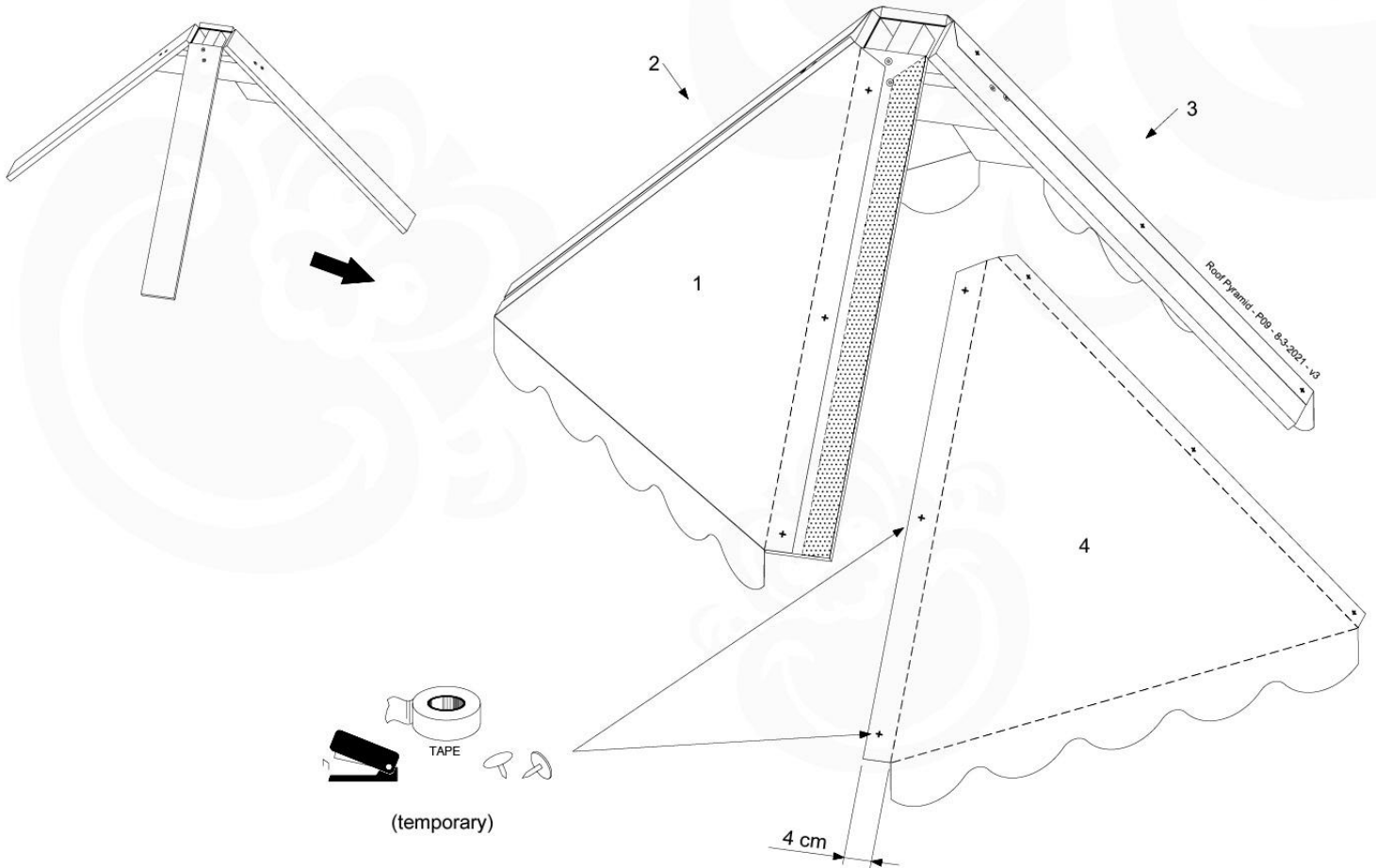


# 09-6

EXAMPLE PATTERN FOR ROOF SIDES - BEISPIELVORLAGE FÜR DACHMARKISE - SCHÉMA SUGGÉRÉ DE DÉCOUPE - VOORBEELDSJABLOON DAKLUIFEL

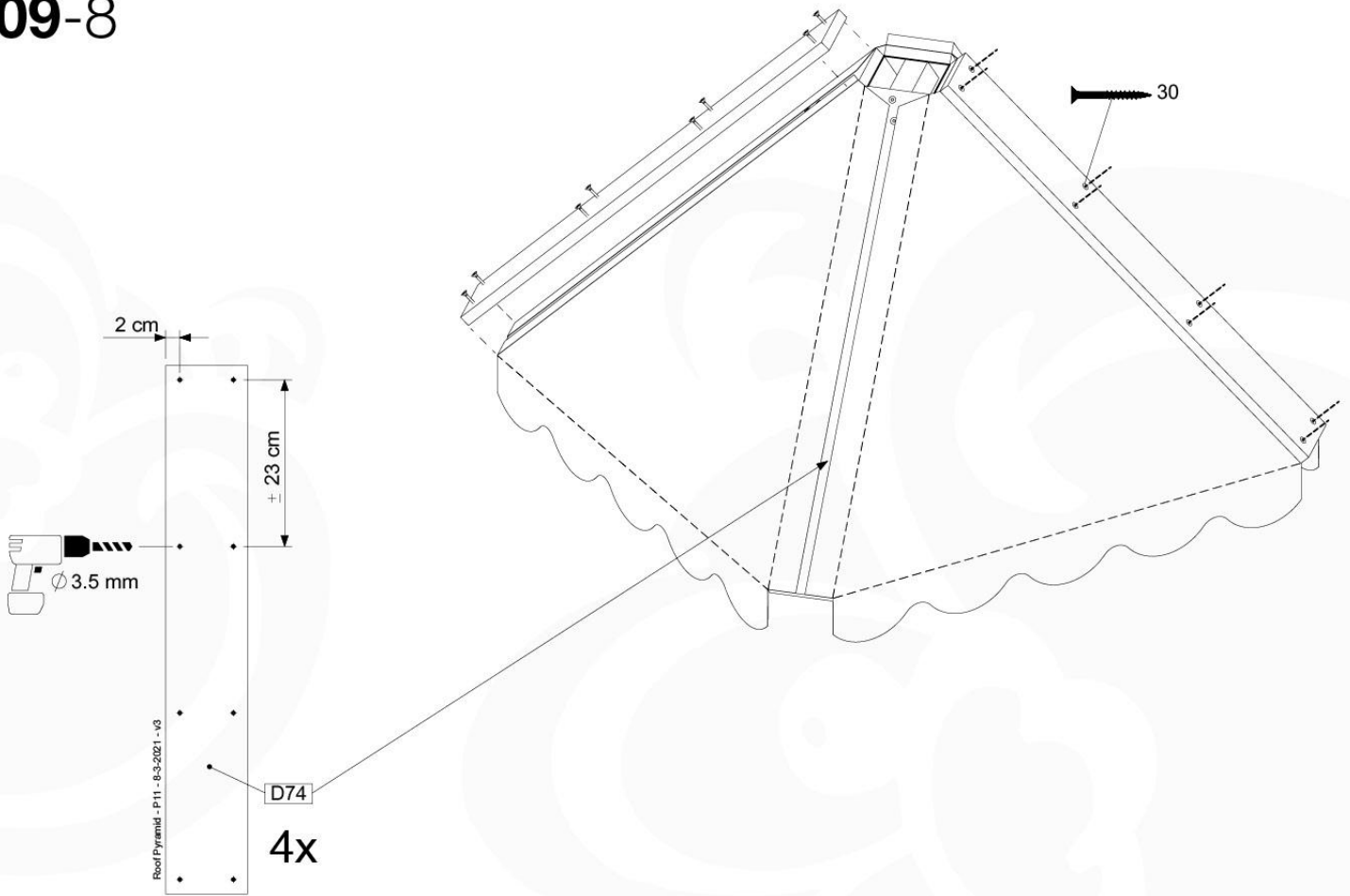


# 09-7

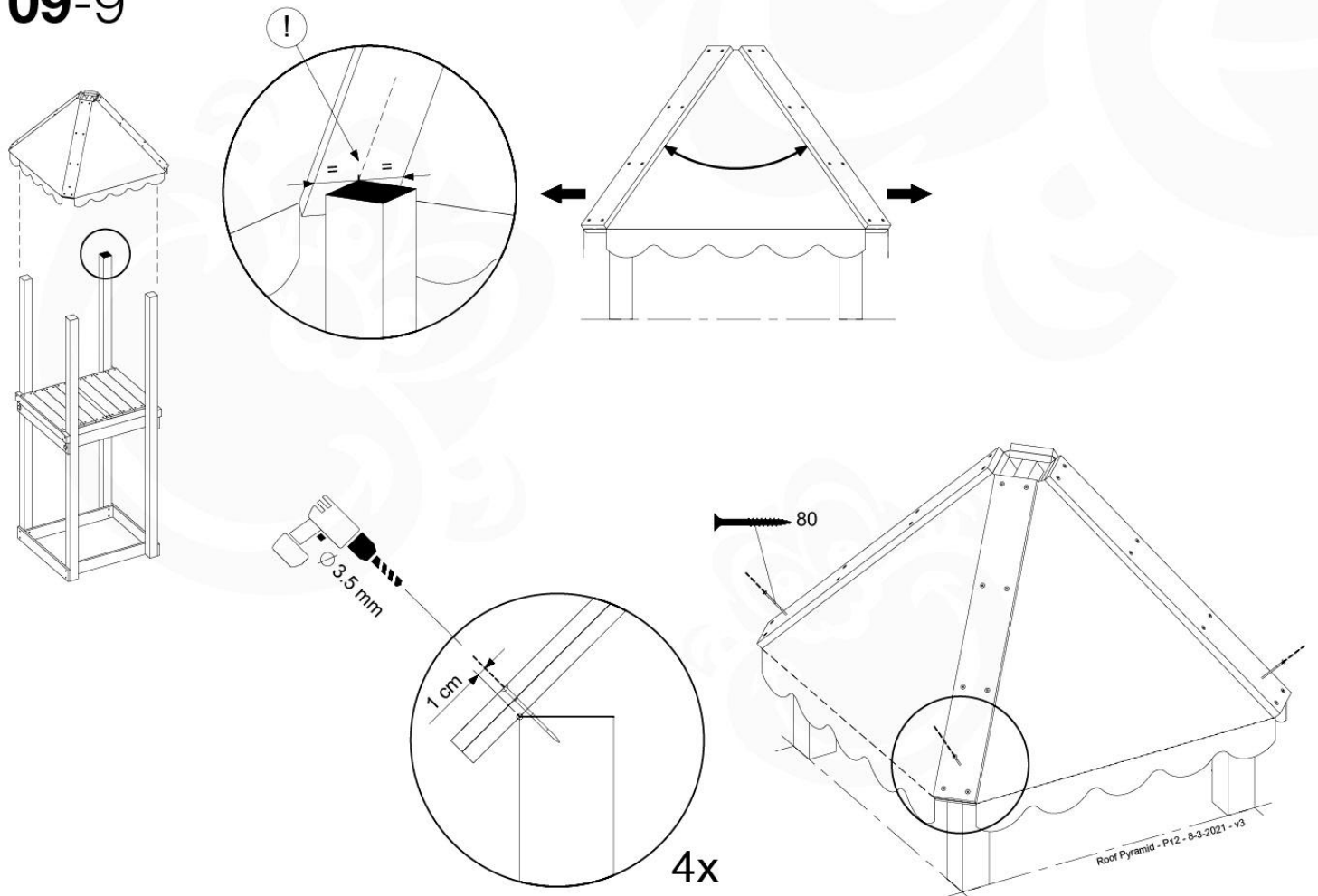




# 09-8



# 09-9



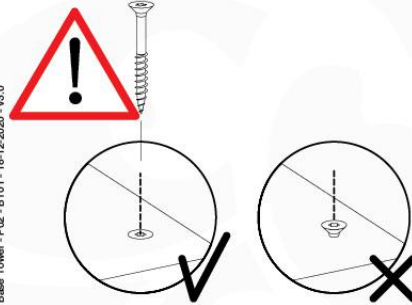
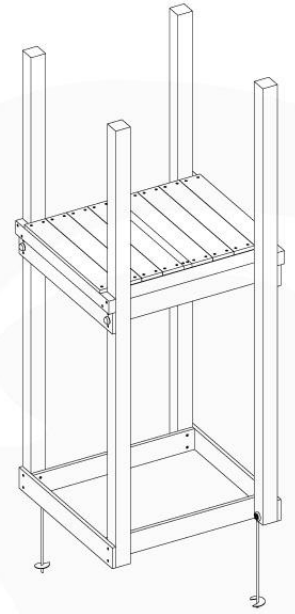
# 10 Base Tower

BT01

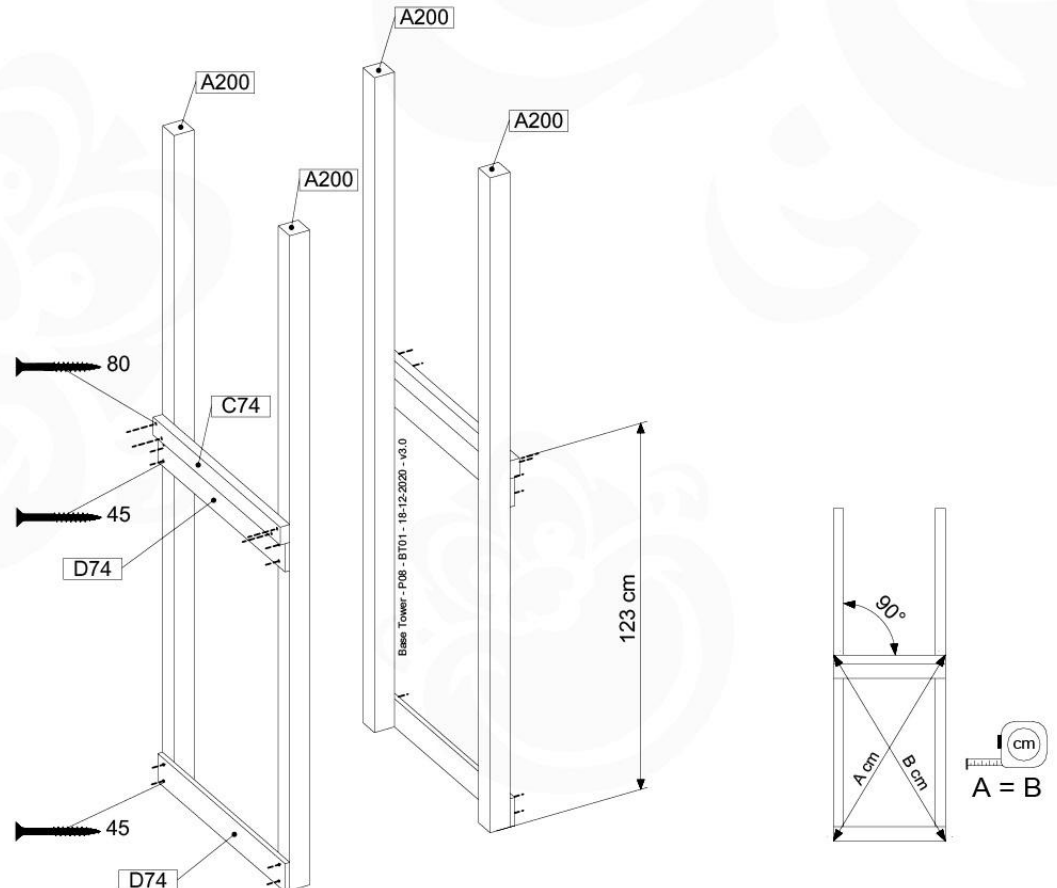
( 194\_100 )

|                          | PartNo  | PartName                   | QTY. |
|--------------------------|---------|----------------------------|------|
| Hardware Pack<br>100_600 | 001_406 | Stealth Screw 8x45         | 6    |
|                          | 002_220 | Gap Point Screw T25 - 5x45 | 72   |
|                          | 002_223 | Gap Point Screw T25 - 5x80 | 16   |
| Other                    | 007_001 | Ground-anchor              | 2    |
| Hardware Pack<br>100_600 | 022_31x | bpc-base version 3         | 4    |
|                          | 022_84x | bpc cover                  | 4    |
| Wood                     | A200    | Post 70x70 L2000           | 4    |
|                          | C74     | Beam 740 mm                | 4    |
|                          | D60     | Board 600 mm               | 10   |
|                          | D74     | Board 740 mm               | 8    |

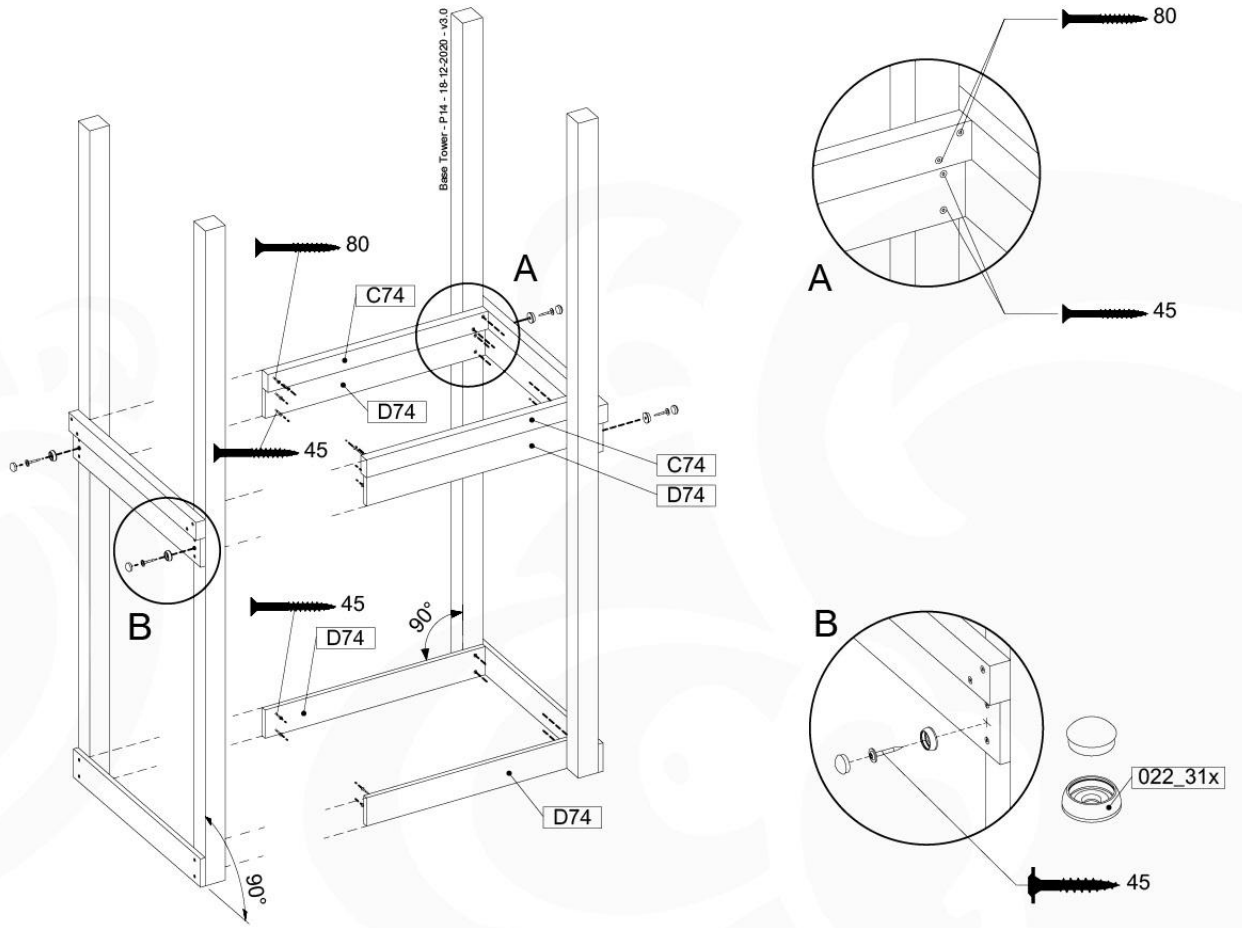
Base Tower - P02 - BT01 - 18-12-2020 - v3.0



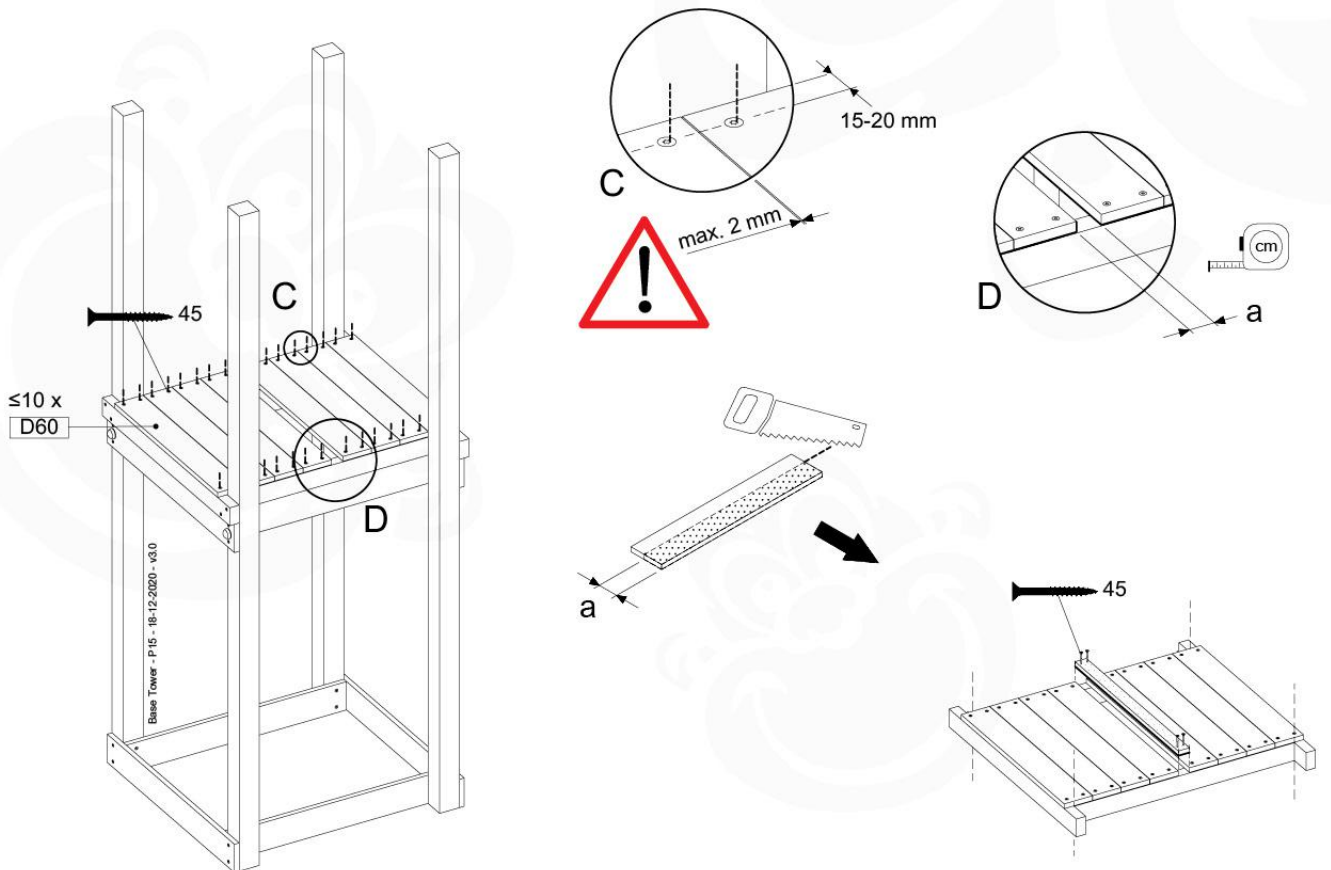
## 10-1



# 10-2



# 10-3



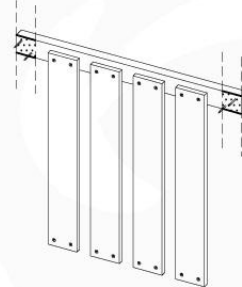
# 11 Balustrade (2x)

BL01

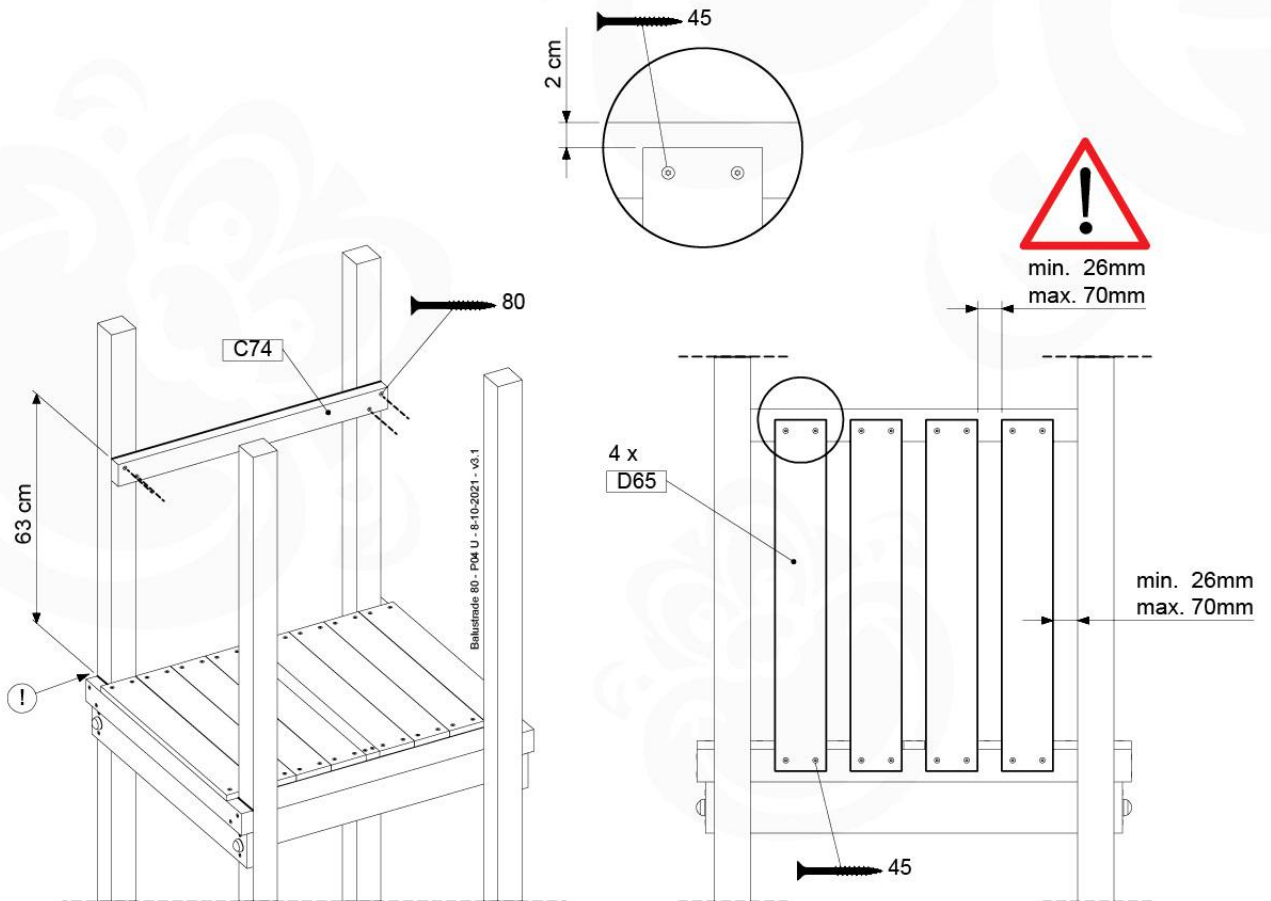
( 194\_101 )

|                          | PartNo  | PartName                   | QTY. |
|--------------------------|---------|----------------------------|------|
| Hardware Pack<br>100_601 | 002_220 | Gap Point Screw T25 - 5x45 | 16   |
|                          | 002_223 | Gap Point Screw T25 - 5x80 | 4    |
| Wood                     | C74     | Beam 740 mm                | 1    |
|                          | D65     | Board 650 mm               | 4    |

Balustrade 80 - PO2 U - 8-10-2021 - v3.1



## 11-1





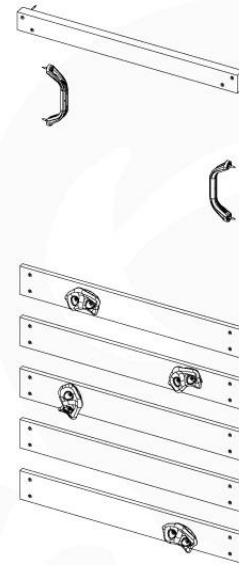
# 12 Rock Wall

RW02

( 194\_105 )

|                          | PartNo  | PartName                    | QTY. |
|--------------------------|---------|-----------------------------|------|
| Hardware pack<br>100_604 | 001_102 | Washer Head Screw T40 M8x30 | 8    |
|                          | 002_220 | Gap Point Screw T25 - 5x45  | 24   |
|                          | 002_223 | Gap Point Screw T25 - 5x80  | 4    |
|                          | 003_010 | M8 spring lock washer       | 8    |
|                          | 004_050 | M8 22mm Drive in Nut        | 8    |
| Other                    | 022_50x | Climbing Rock               | 4    |
|                          | 120_102 | Handgrip set (2x Complete)  | 1    |
| Timber                   | C74     | Beam 740 mm                 | 1    |
|                          | D74     | Board 740 mm                | 5    |

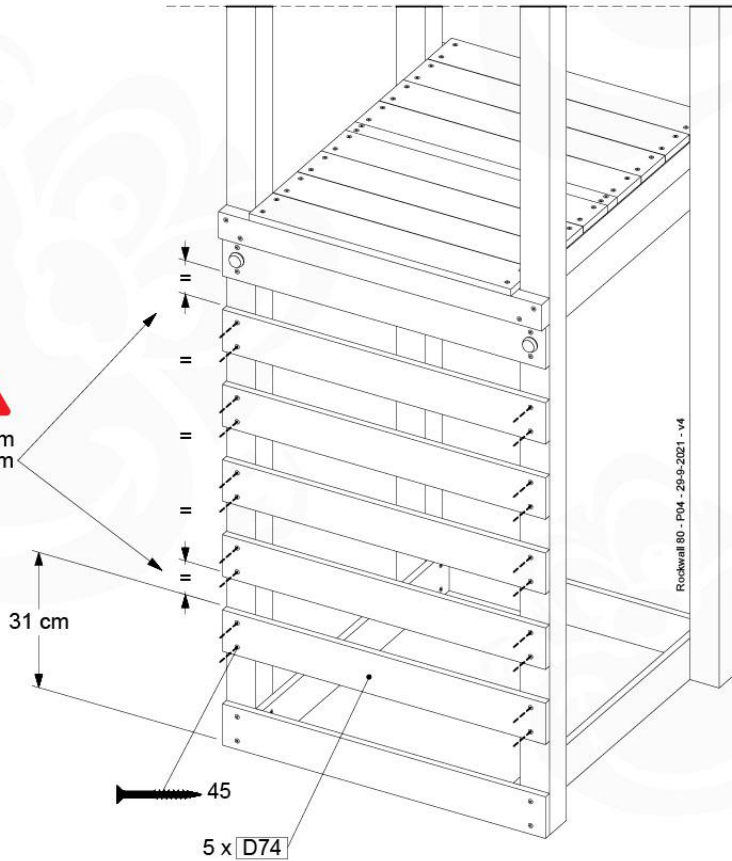
Rockwall 80 - P02 - 29-9-2021 - v4



## 12-1

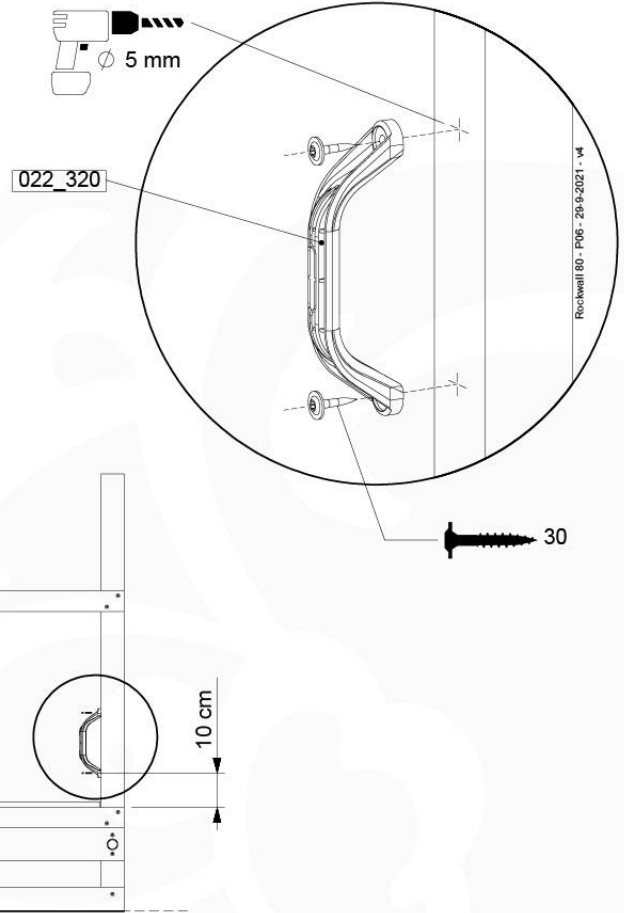
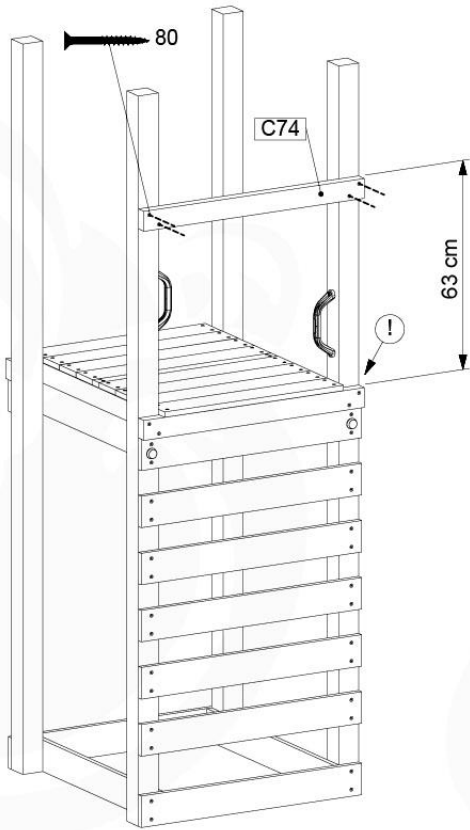


min. 2,6 cm  
max. 8,8 cm

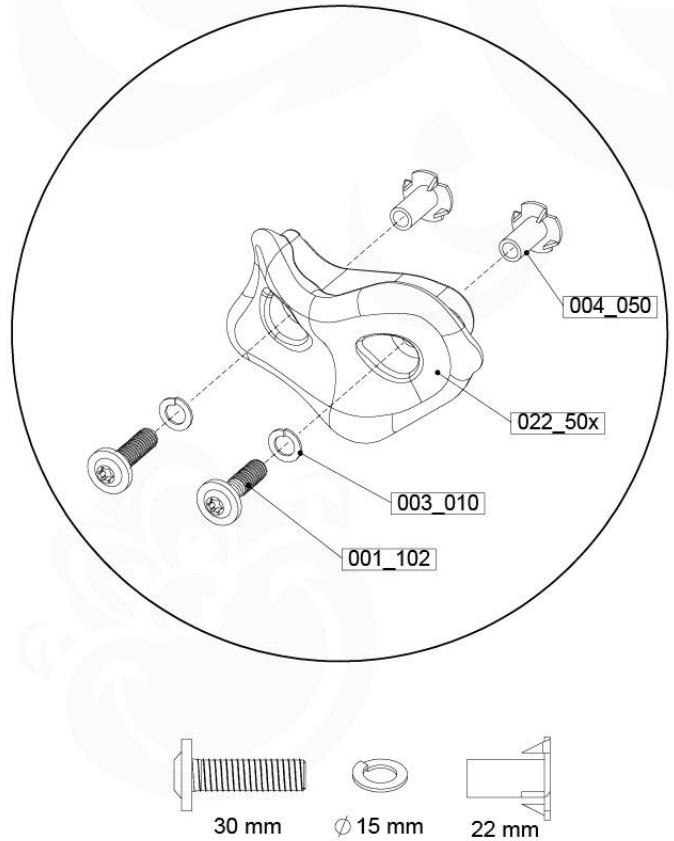
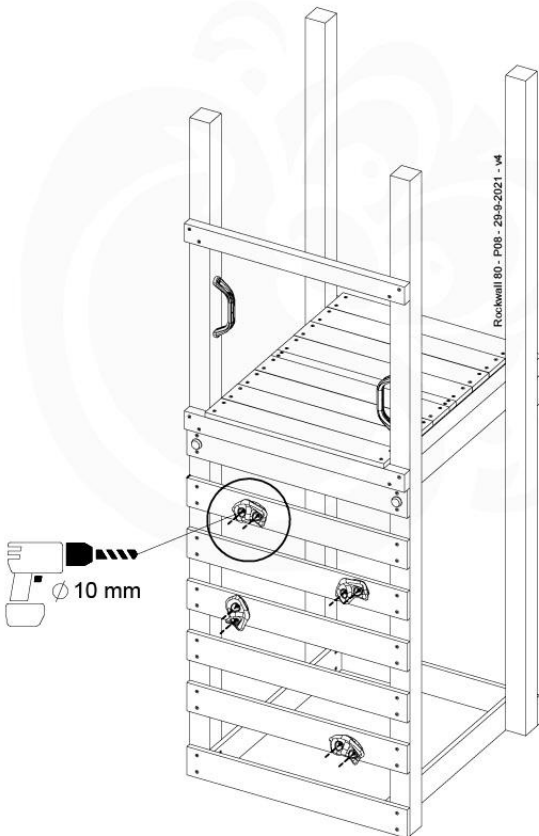


Rockwall 80 - P04 - 29-9-2021 - v4

# 12-2



# 12-3



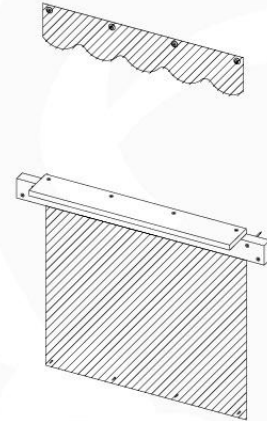
# 13 Market

MT01

( 194\_113 )

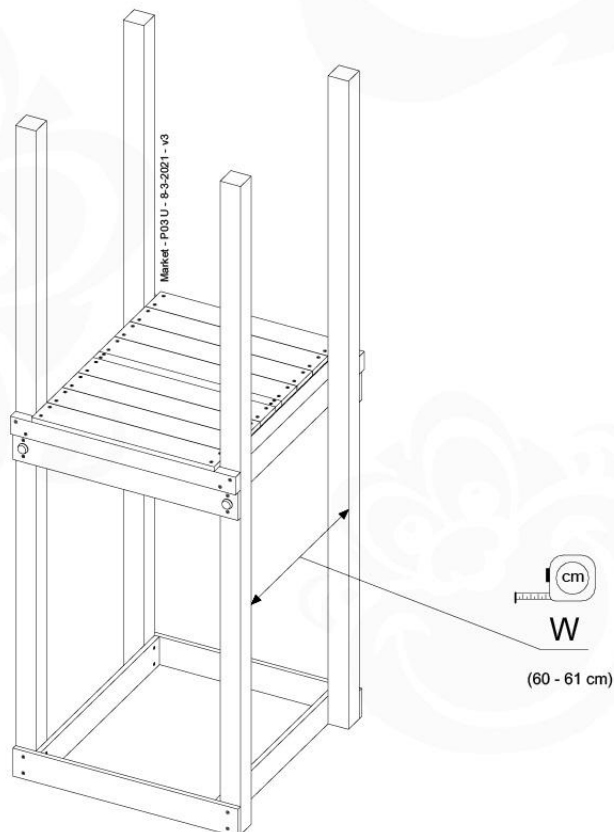
|                          | PartNo  | PartName                   | QTY. |
|--------------------------|---------|----------------------------|------|
| Hardware Pack<br>100_611 | 002_220 | Gap Point Screw T25 - 5x45 | 4    |
|                          | 002_223 | Gap Point Screw T25 - 5x80 | 4    |
|                          | 002_308 | Gap Point Screw T25 - 5x20 | 8    |
|                          | 023_031 | Finishing Washer GPS 5.0   | 8    |
| Other                    | 123_220 | Canvas sheet 735x1365      | 1    |
| Wood                     | C74     | Beam 740 mm                | 1    |
|                          | D60     | Board 600 mm               | 1    |

Market - P02 - 8-3-2021 - v3

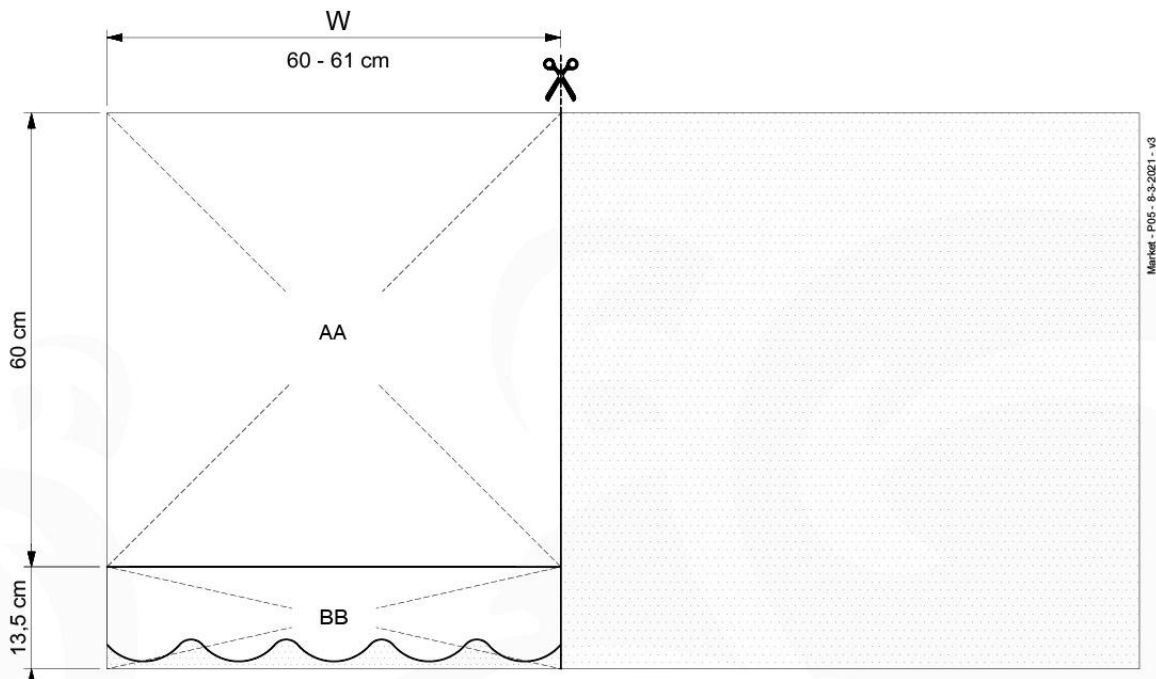


Full Manual 4E - Market\_V3

## 13-1

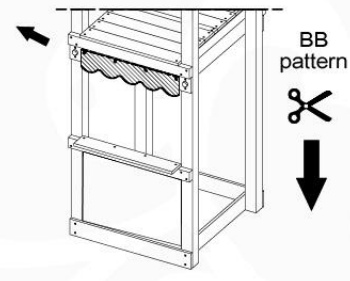
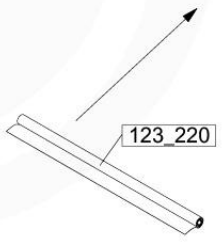


# 13-2



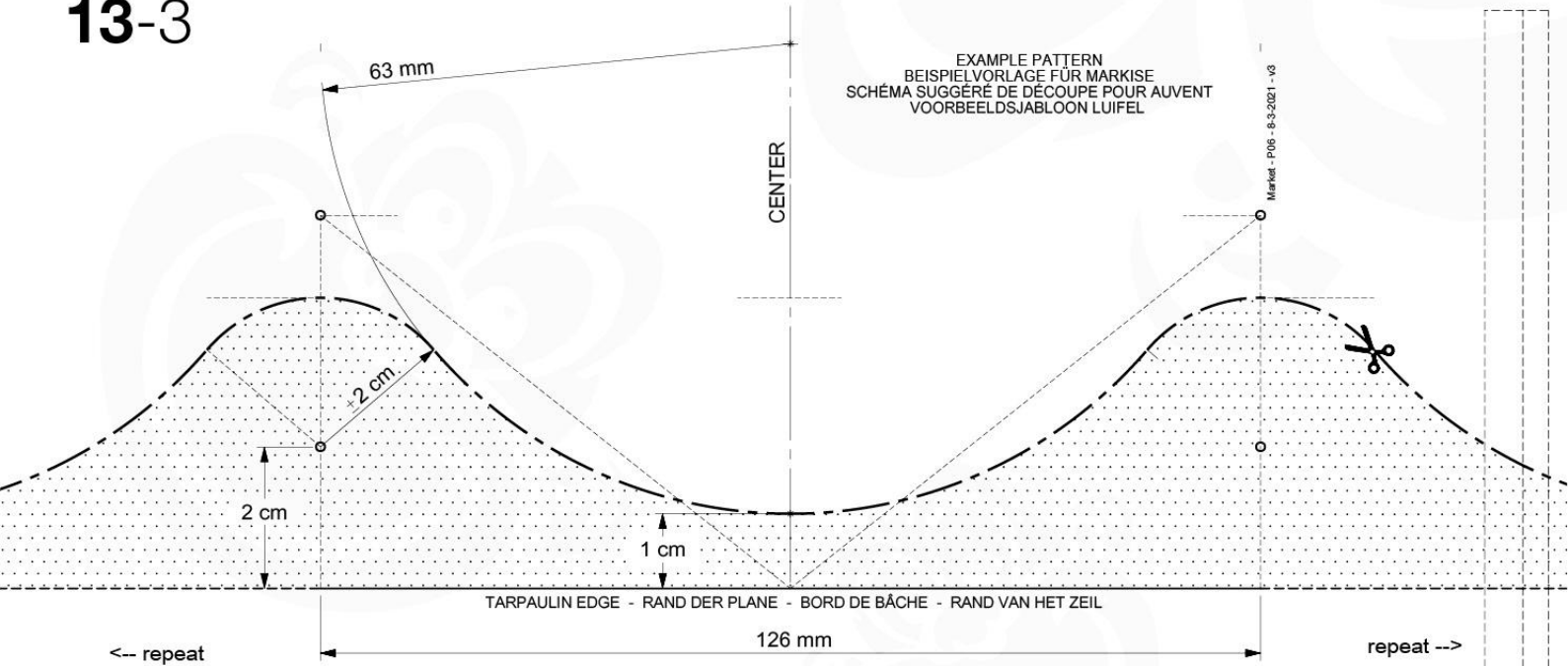
Marked - P05 - 8-3-2021 - v3

Canvas sheet 73,5 x 136,5 cm



www.junglegym.com

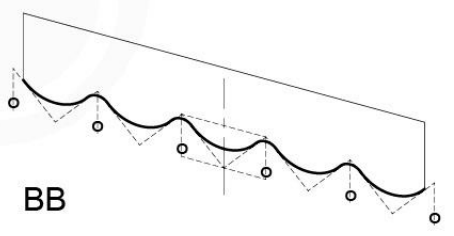
# 13-3



EXAMPLE PATTERN  
BEISPIELVORLAGE FÜR MARKISE  
SCHEMA SUGGÈRE DE DÉCOUPE POUR AUVENT  
VORBEELDSJABLOON LUIFEL

Marked - P06 - 8-3-2021 - v3

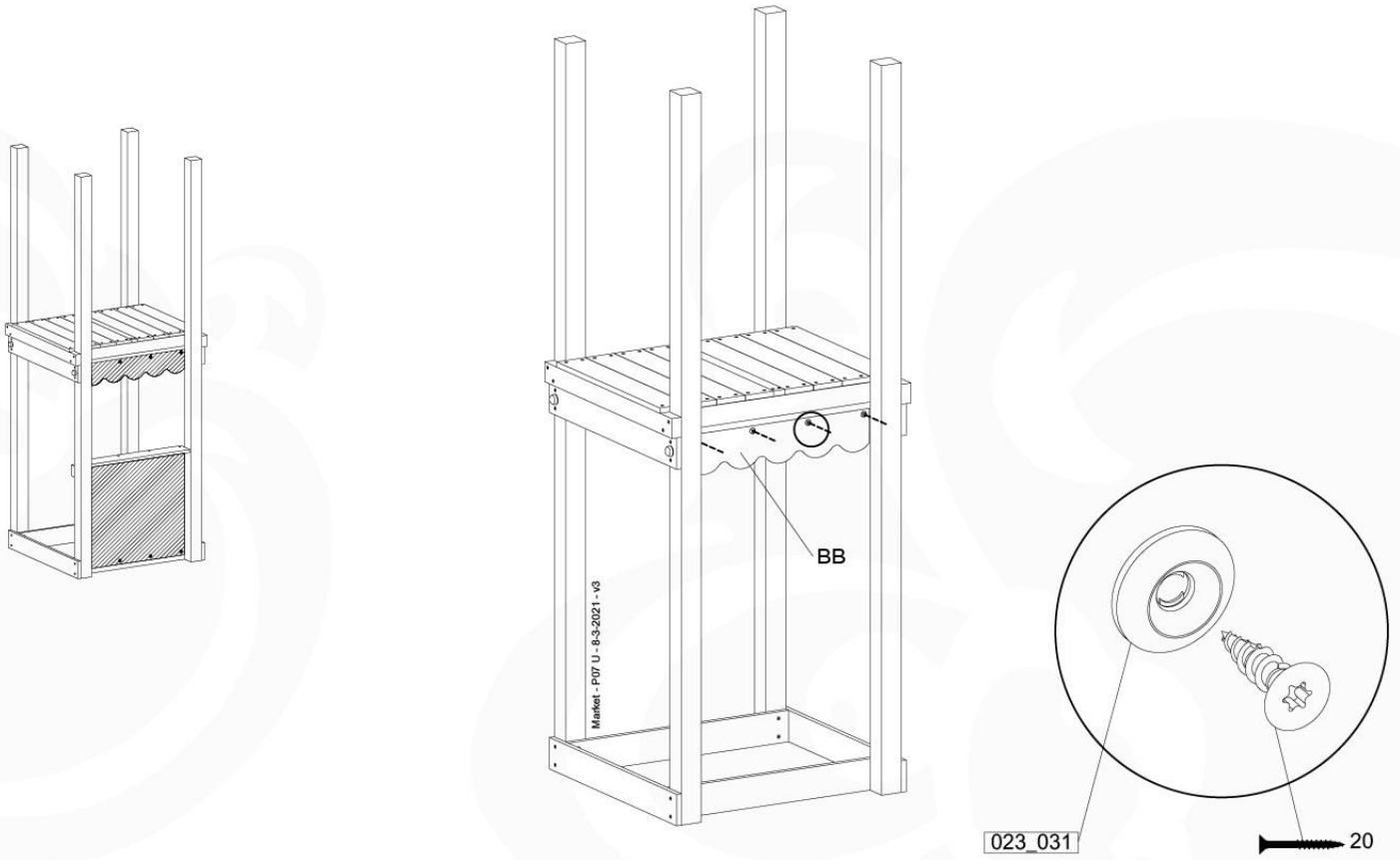
! Scale of print may not be accurate.  
Druckformat kann abweichen.  
Les tailles imprimées peuvent varier.  
Printformaat kan afwijken.



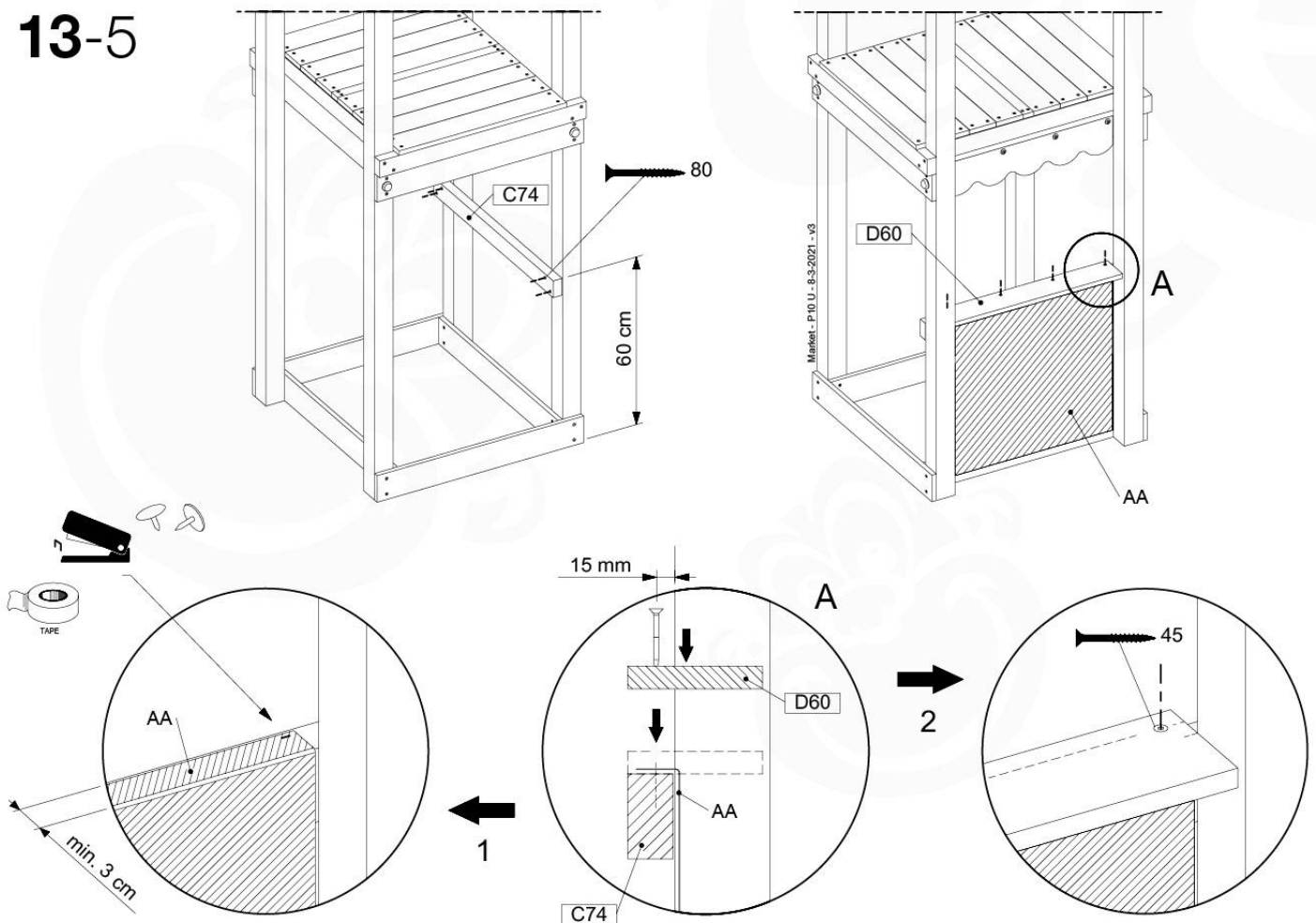
BB



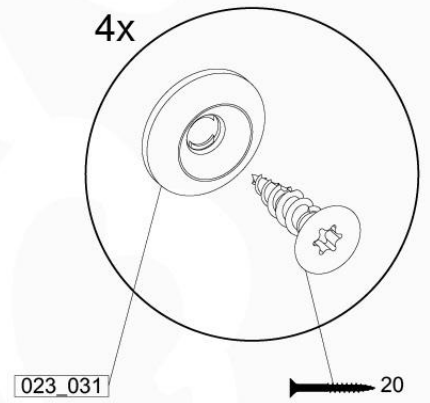
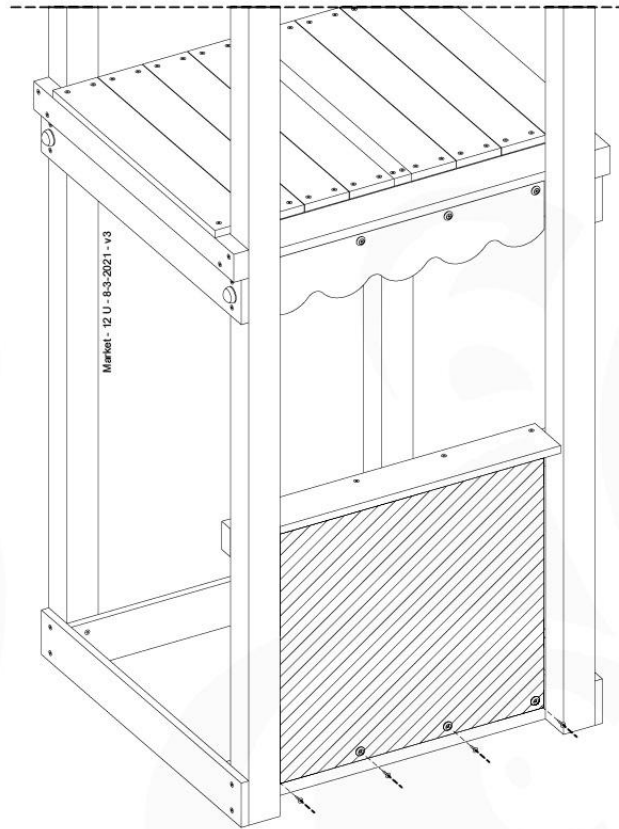
# 13-4



# 13-5



# 13-6



Original Manual At: Market\_V3

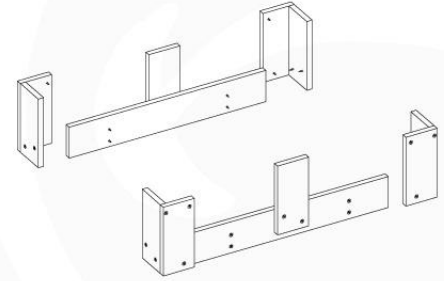
# 14 Roof Lookout

RF06

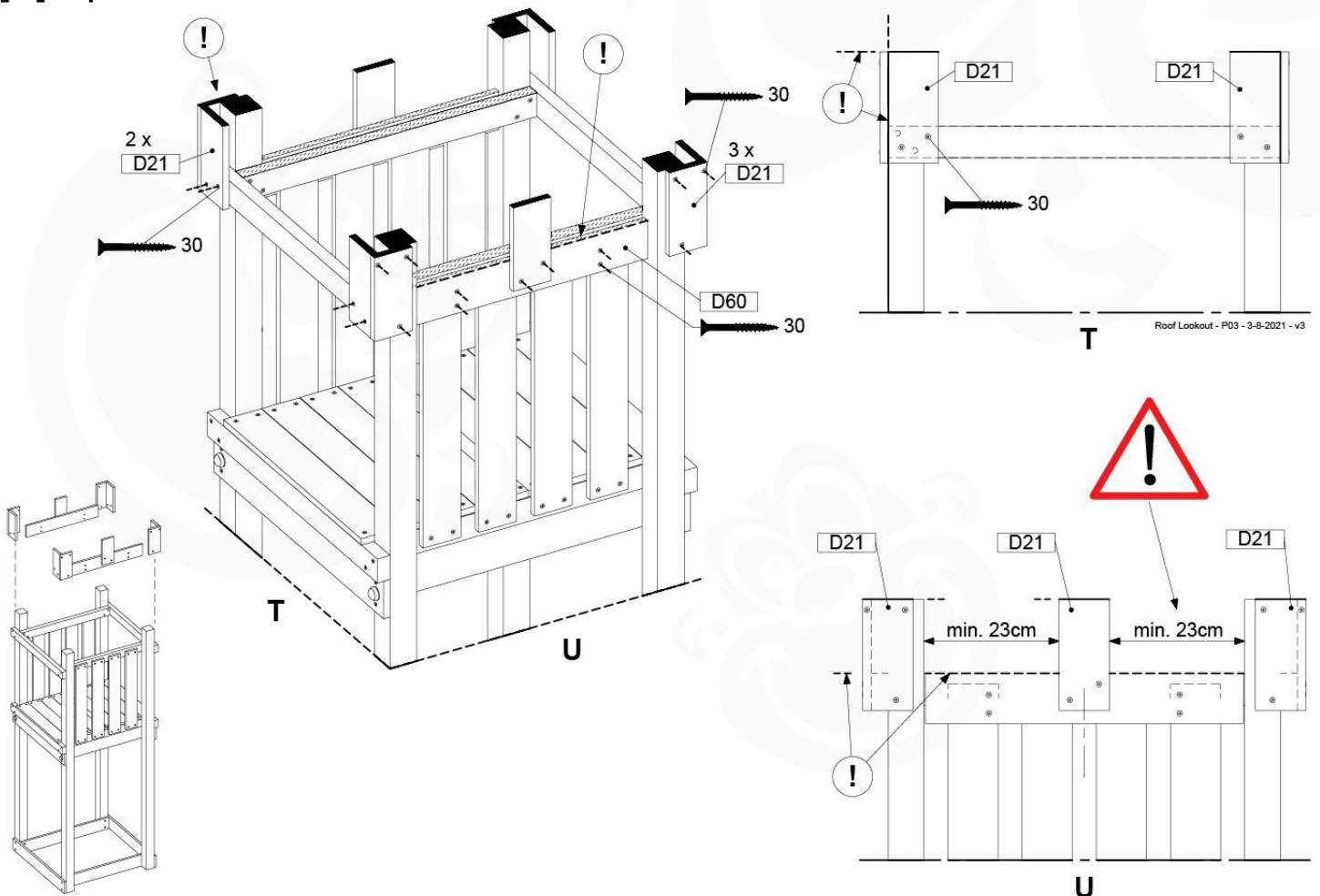
( 194\_112 )

|                       | PartNo  | PartName                   | QTY. |
|-----------------------|---------|----------------------------|------|
| Hardware Pack 100_610 | 002_219 | Gap Point Screw T25 - 5x30 | 32   |
| Wood                  | D21     | Board 210 mm               | 10   |
|                       | D60     | Board 600 mm               | 2    |

Roof Lookout - P02 - 3-8-2021 - v3



## 14-1



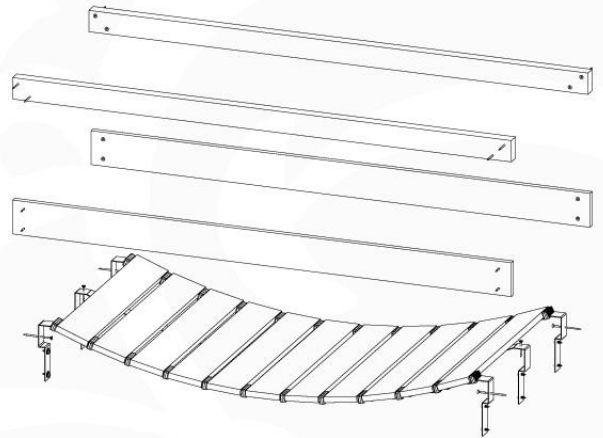
# 15 Clatter Bridge

CB01

( 194\_116 )

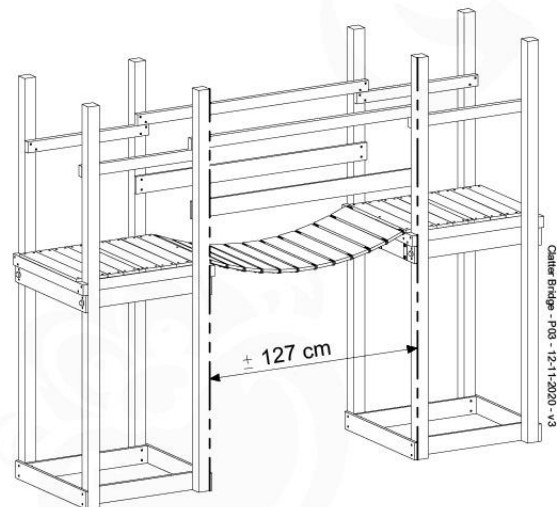
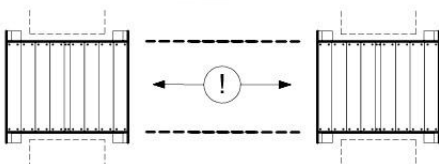
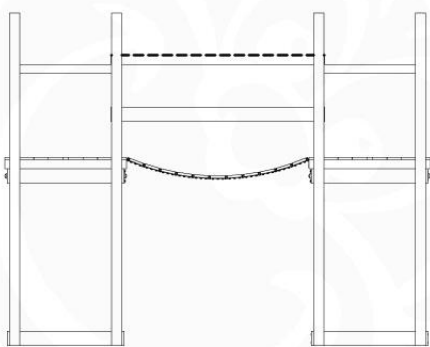
|                          | PartNo  | PartName                        | QTY. |
|--------------------------|---------|---------------------------------|------|
| Hardware Pack<br>100_614 | 002_036 | 16mm Pan Head Tapping Screw T25 | 72   |
|                          | 002_220 | Gap Point Screw T25 - 5x45      | 10   |
|                          | 002_223 | Gap Point Screw T25 - 5x80      | 12   |
|                          | 003_034 | M6 Washer                       | 72   |
| Other                    | 022_911 | Bridge Spacer                   | 26   |
|                          | 121_114 | BridgeLink Strap 210cm          | 3    |
| Wood                     | C141    | Beam 1410 mm                    | 2    |
|                          | D60     | Board 600 mm                    | 12   |
|                          | D141    | Board 1410 mm                   | 2    |

Clatter Bridge - P02 - 12-11-2020 - v3

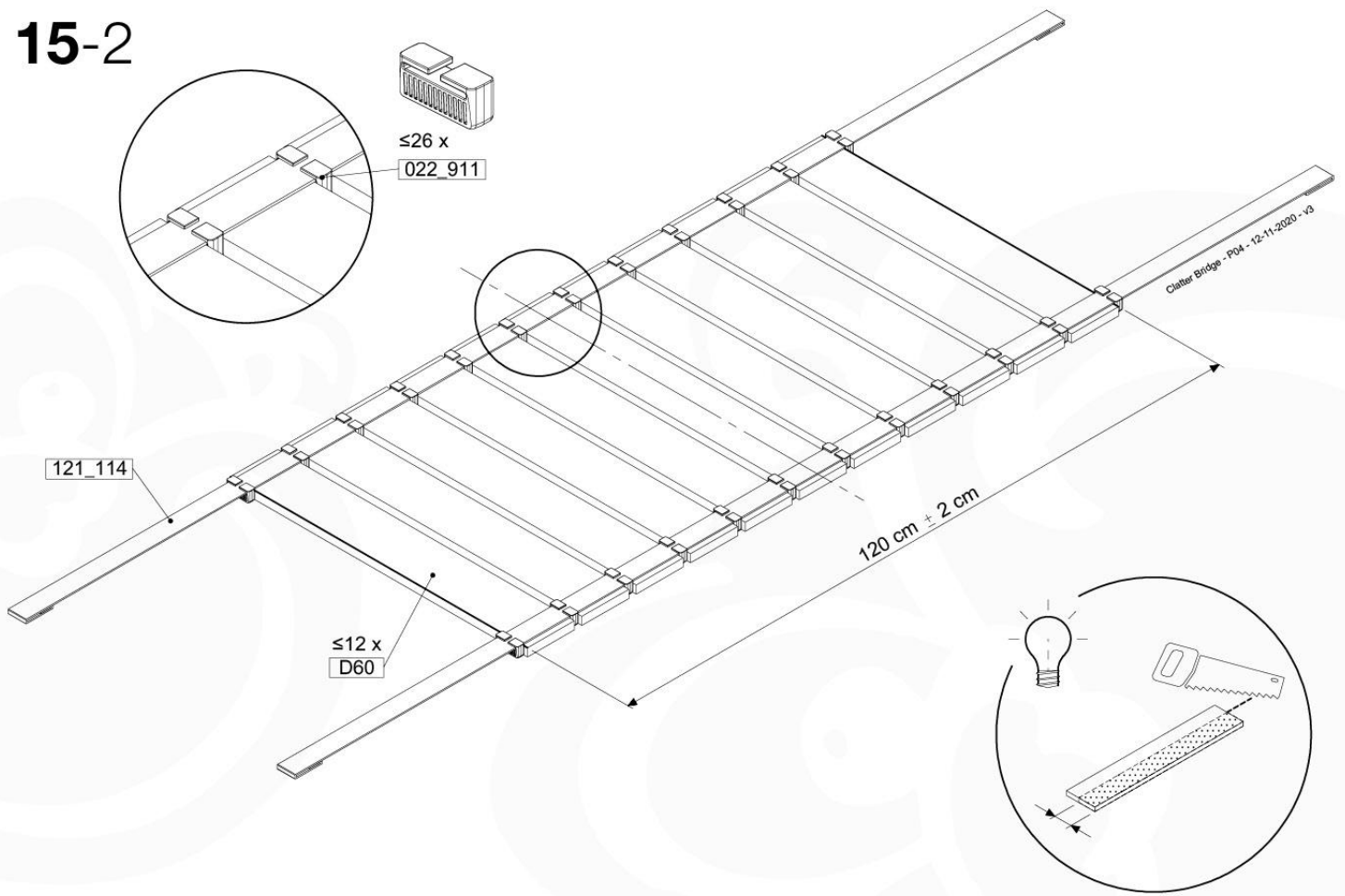


Full Modular AT Clatter Bridges

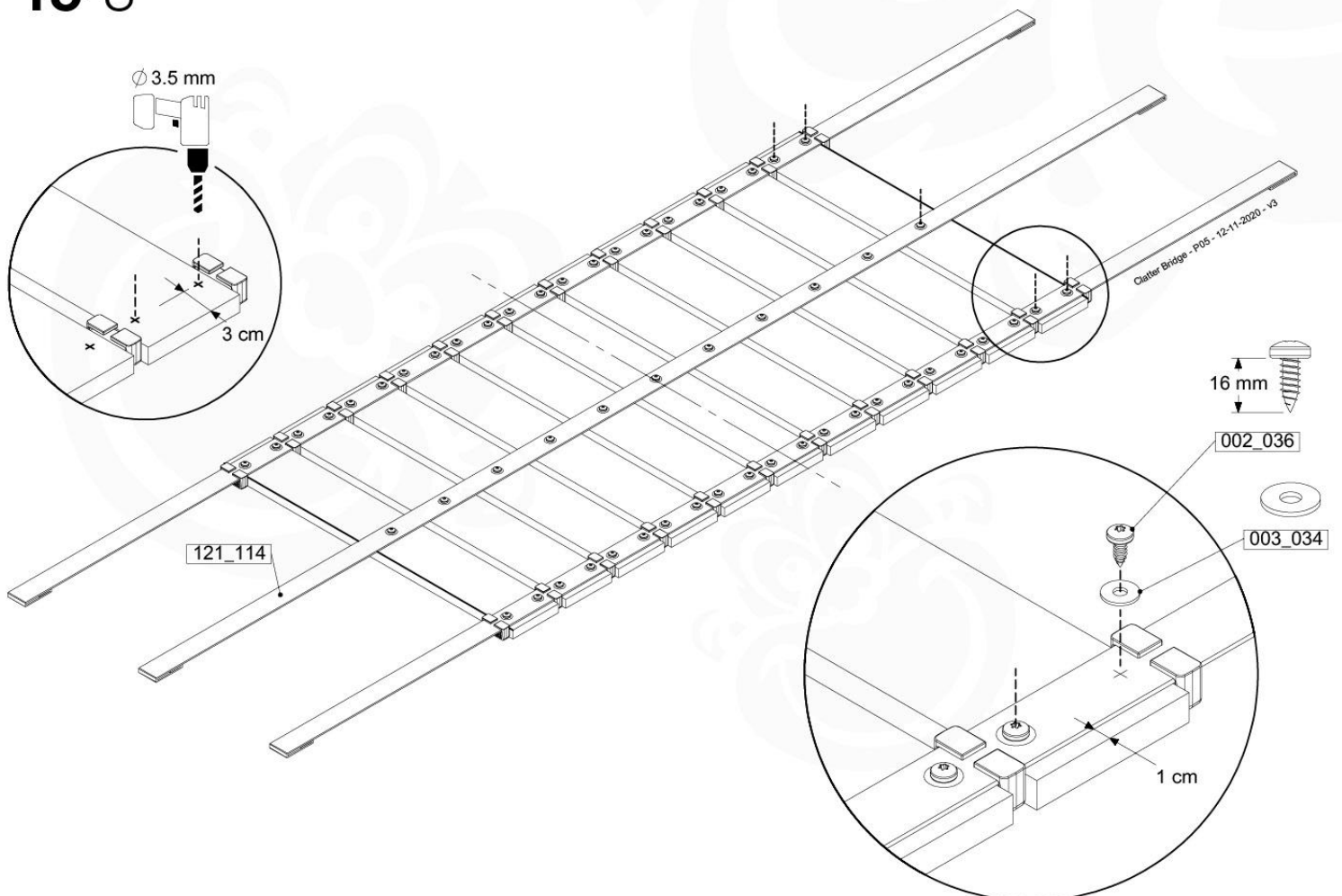
## 15-1



# 15-2

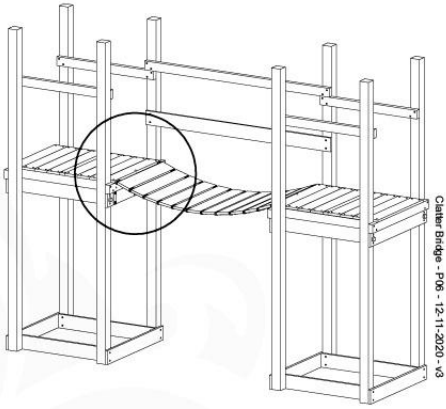


# 15-3

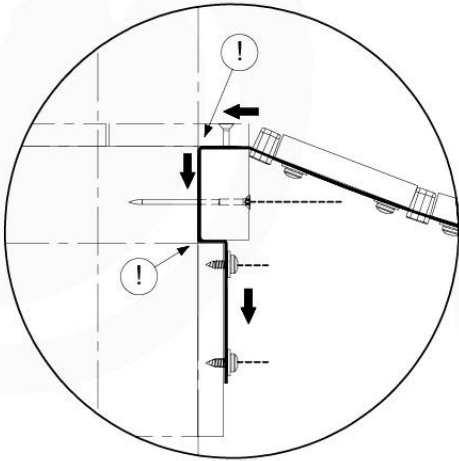
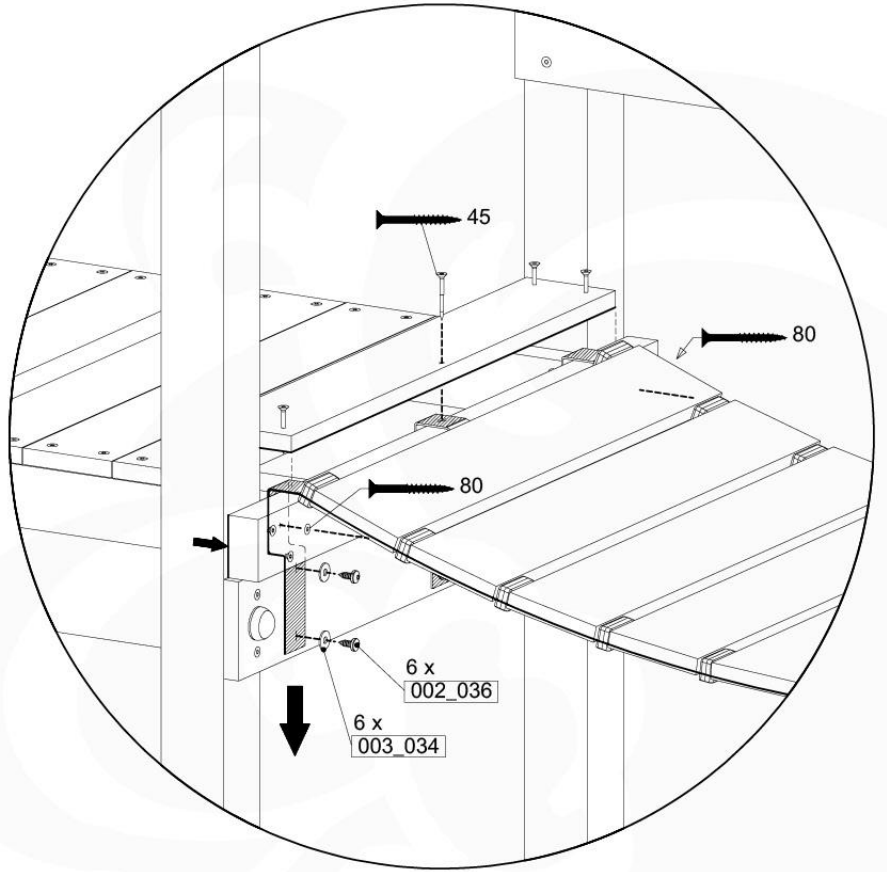




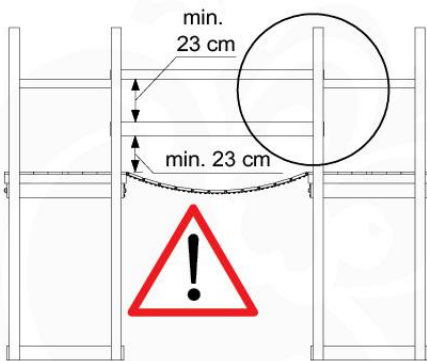
# 15-4



Center Bridge - P06 - 12-11-2020 - v3

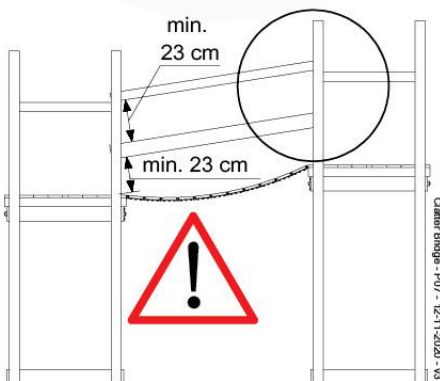


# 15-5



min. 23 cm

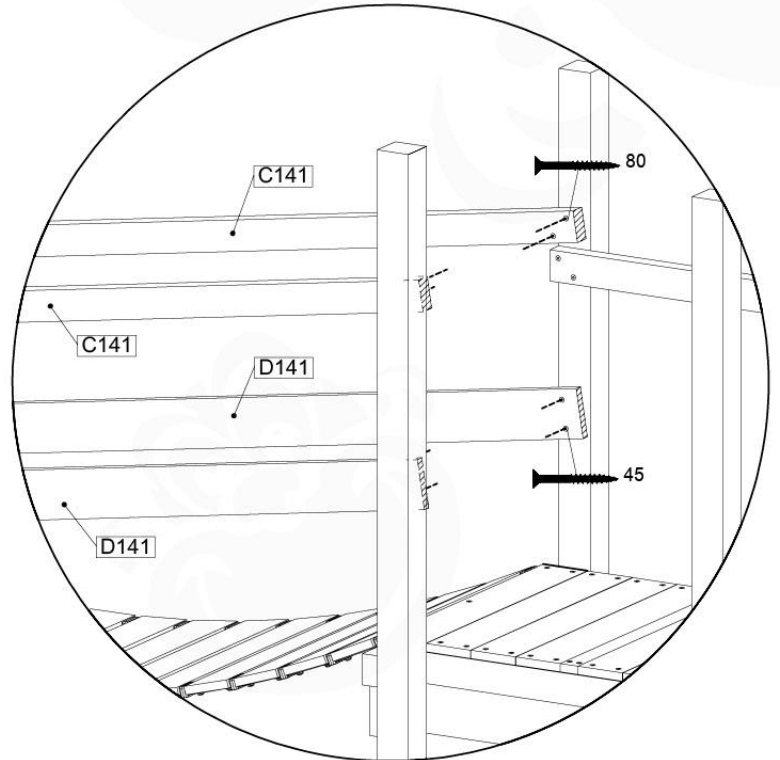
min. 23 cm



min. 23 cm

min. 23 cm

Center Bridge - P07 - 12-11-2020 - v3



# 16 Ladder

LA04

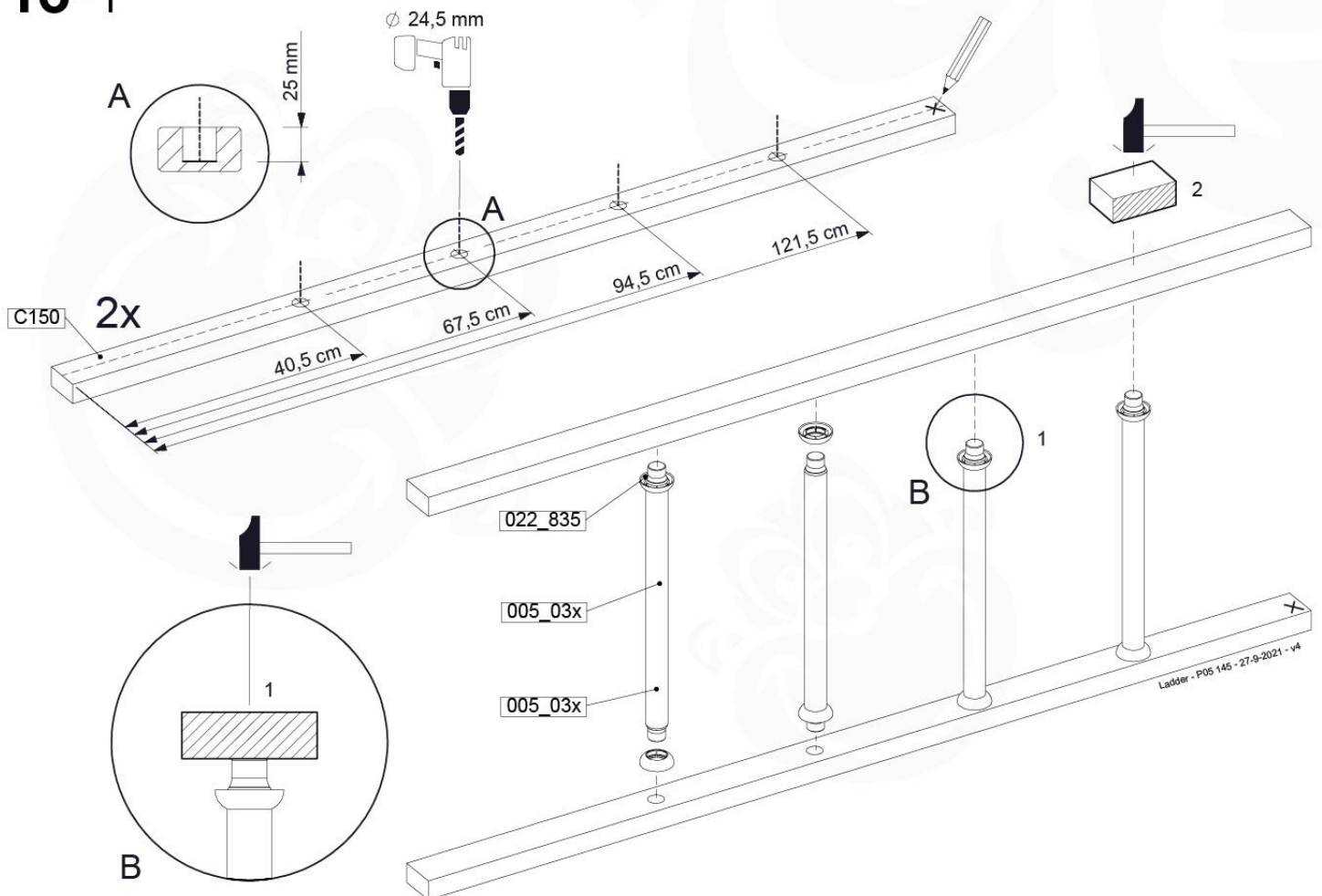
( 194\_104 )

|                          | PartNo  | PartName                       | QTY. |
|--------------------------|---------|--------------------------------|------|
| Hardware Pack<br>100_603 | 001_404 | Stealth Screw 8x30             | 4    |
|                          | 002_219 | Gap Point Screw T25 - 5x30     | 4    |
|                          | 002_220 | Gap Point Screw T25 - 5x45     | 8    |
|                          | 002_223 | Gap Point Screw T25 - 5x80     | 4    |
| Other                    | 005_03x | Ladder Rung Y/B/G/R            | 4    |
|                          | 005_522 | Connection Bracket Mini Market | 2    |
|                          | 022_835 | Rung Cap                       | 8    |
|                          | 120_102 | Handgrip set (2x Complete)     | 1    |
| Wood                     | C74     | Beam 740 mm                    | 1    |
|                          | C150    | Beam 1500 mm                   | 2    |

Ladder - P05 145 - 27-9-2021 - v4

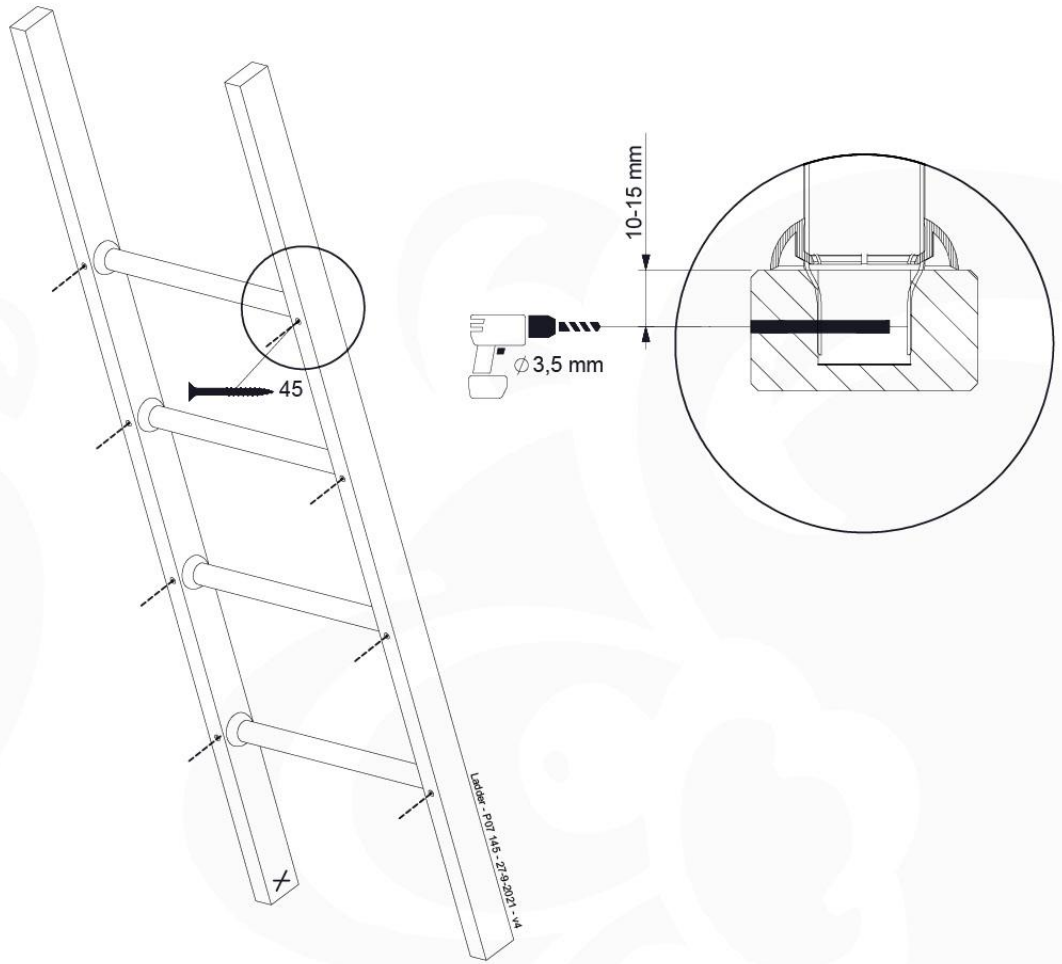


## 16-1

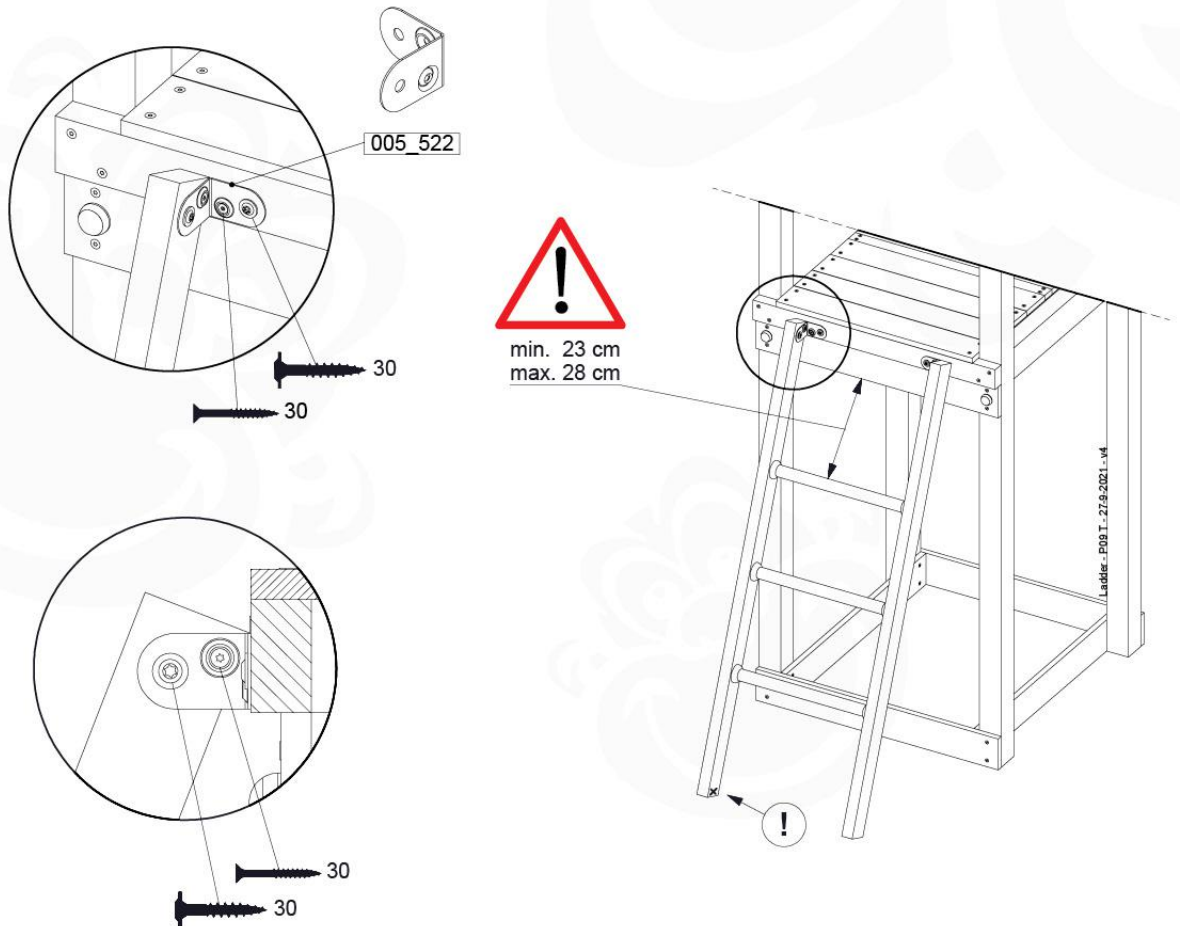


Ladder - P05 145 - 27-9-2021 - v4

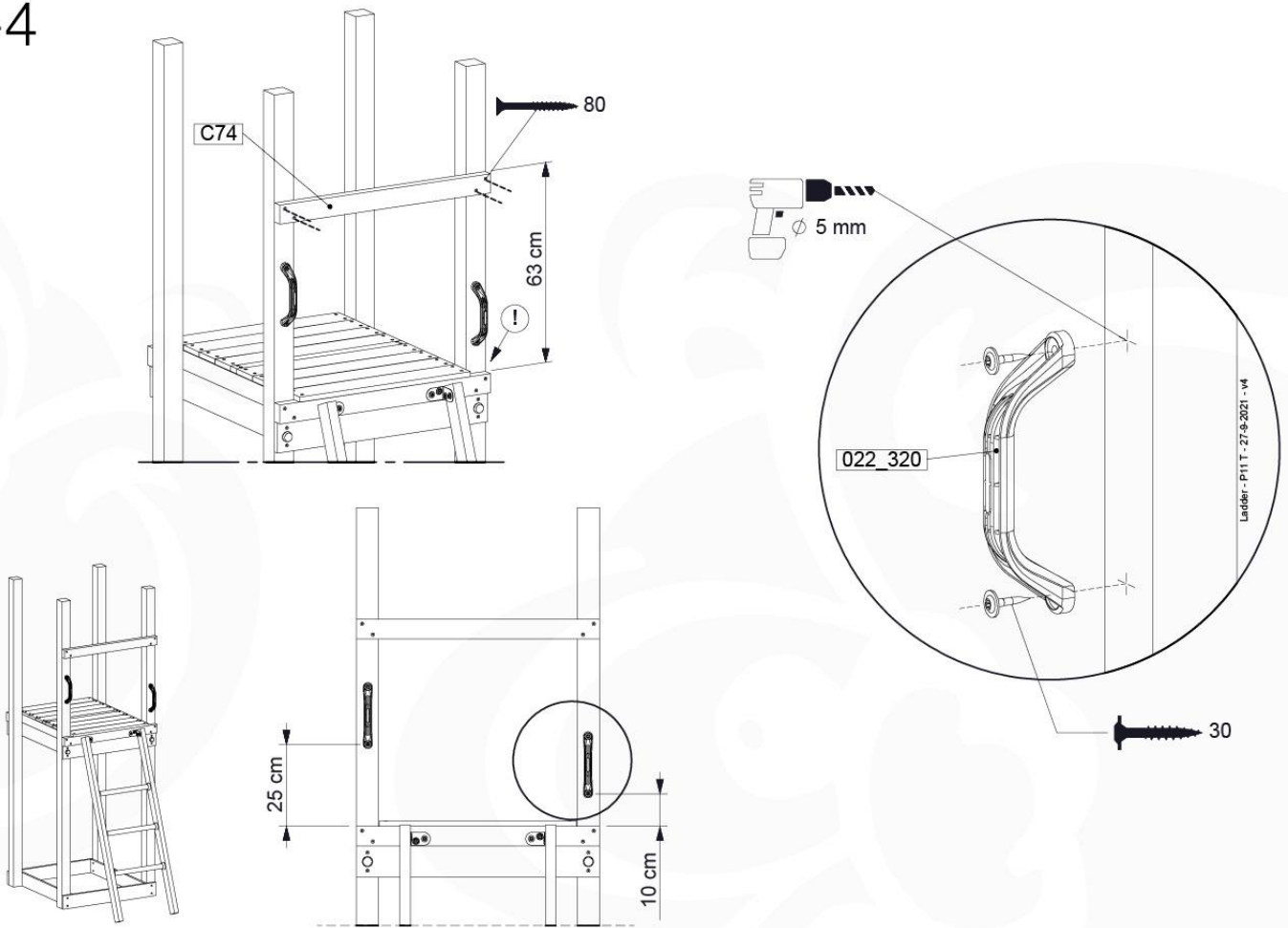
# 16-2



# 16-3



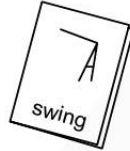
# 16-4



# 17 Swing Frame / Climb Frame

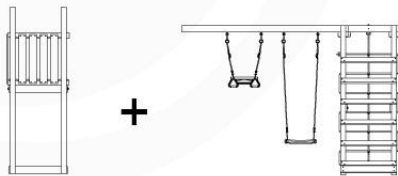


18



18

1-Swing frame / 2-Swing frame  
457\_101  
457\_102



18

1-Climb frame / 2-Climb frame  
457\_105  
457\_106

# 18 Ground Anchors

GA03

Parts:

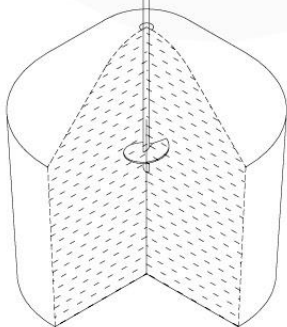
Assembly Package Tower  
194\_100



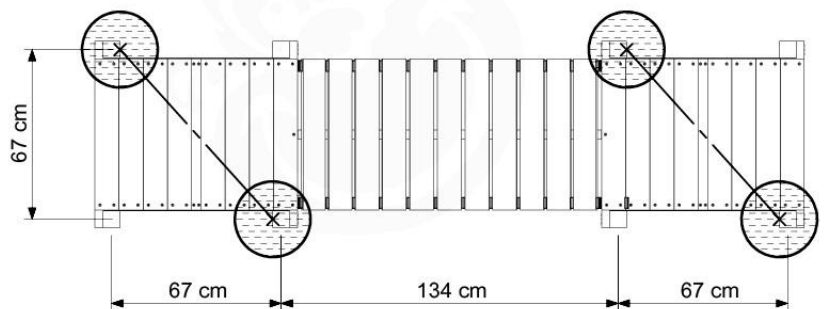
45



007\_001

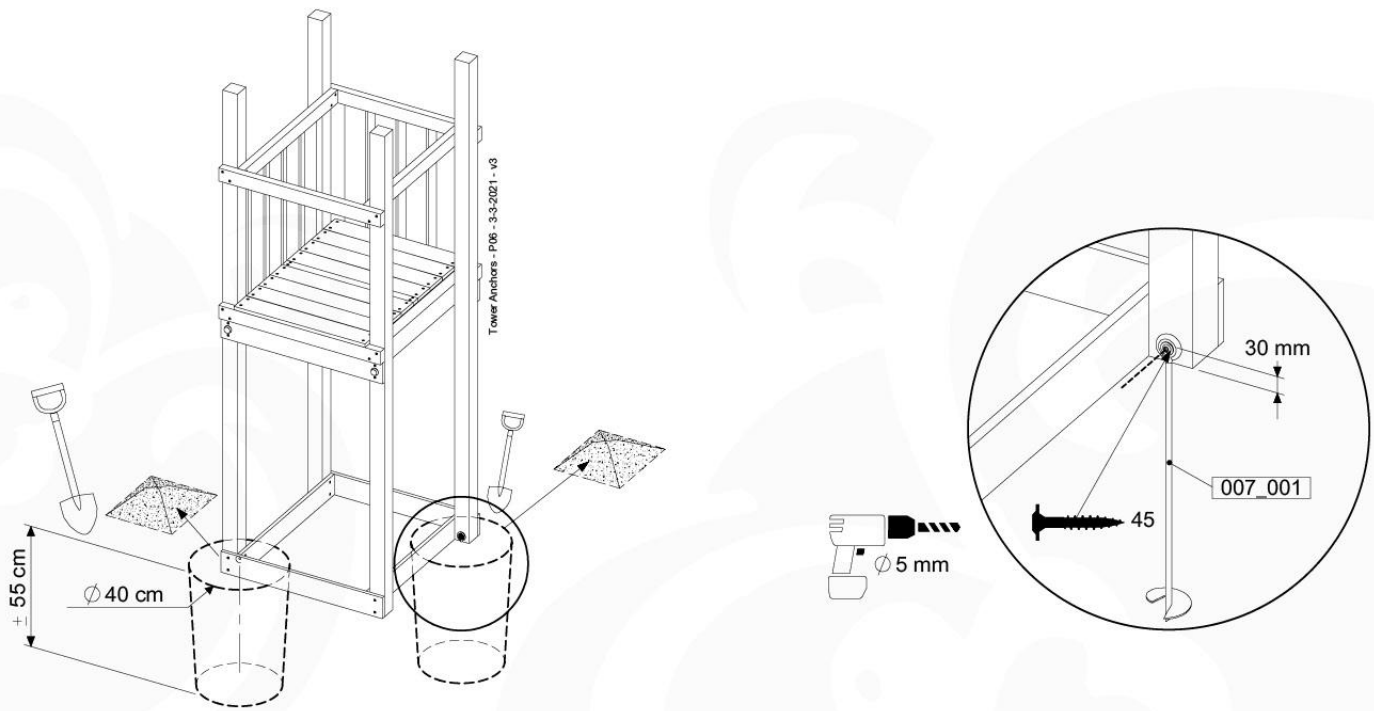


Tower Anchors - P04 - 3.9.2021 - 03

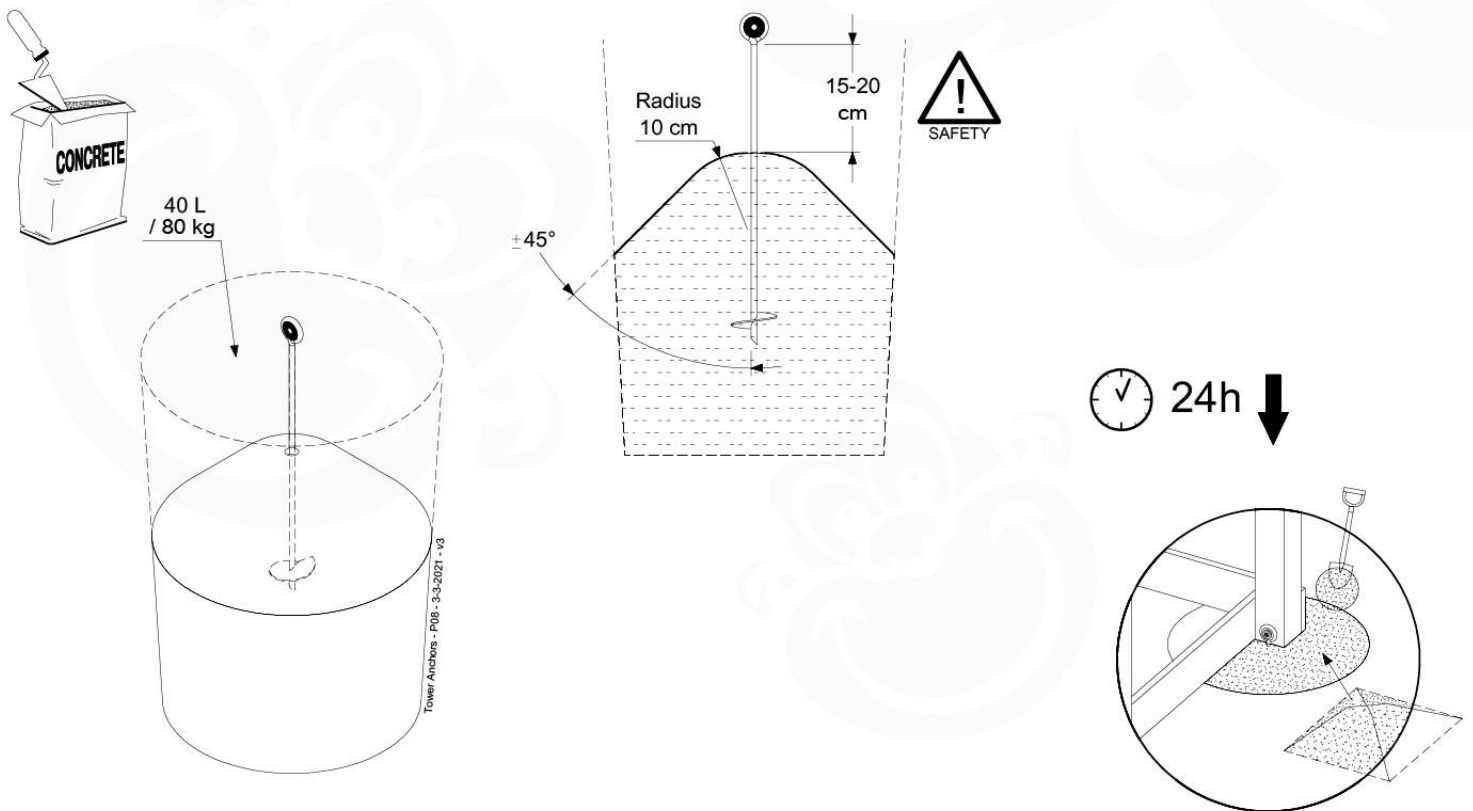




# 18-1



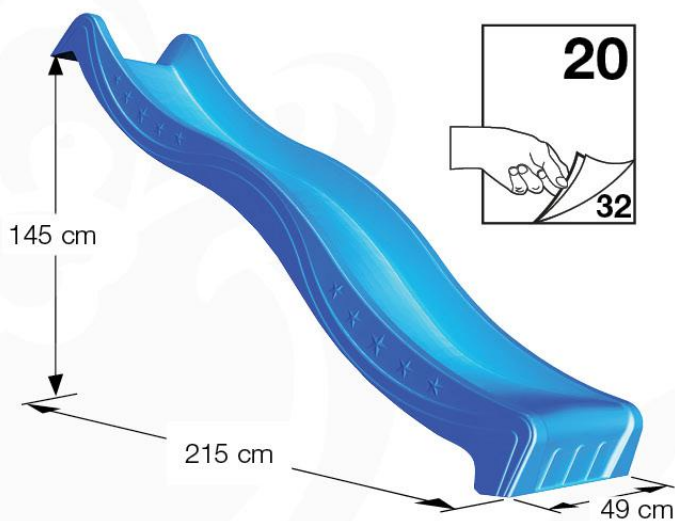
# 18-2



# 19 Add-on

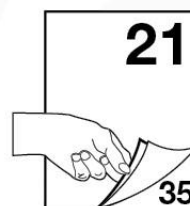
## Wavy Star Slide XXL

- 334\_100 Yellow
- 334\_200 Blue
- 334\_300 Green
- 334\_400 Red
- 334\_500 Fuchsia
- 334\_600 Dark Green



## Fireman's Pole

201\_275



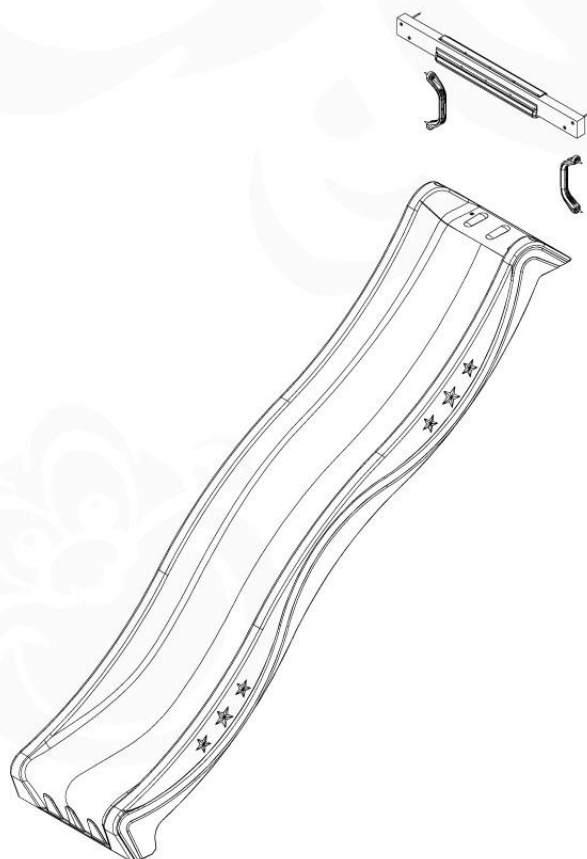
# 20 Slide Set

## SL03

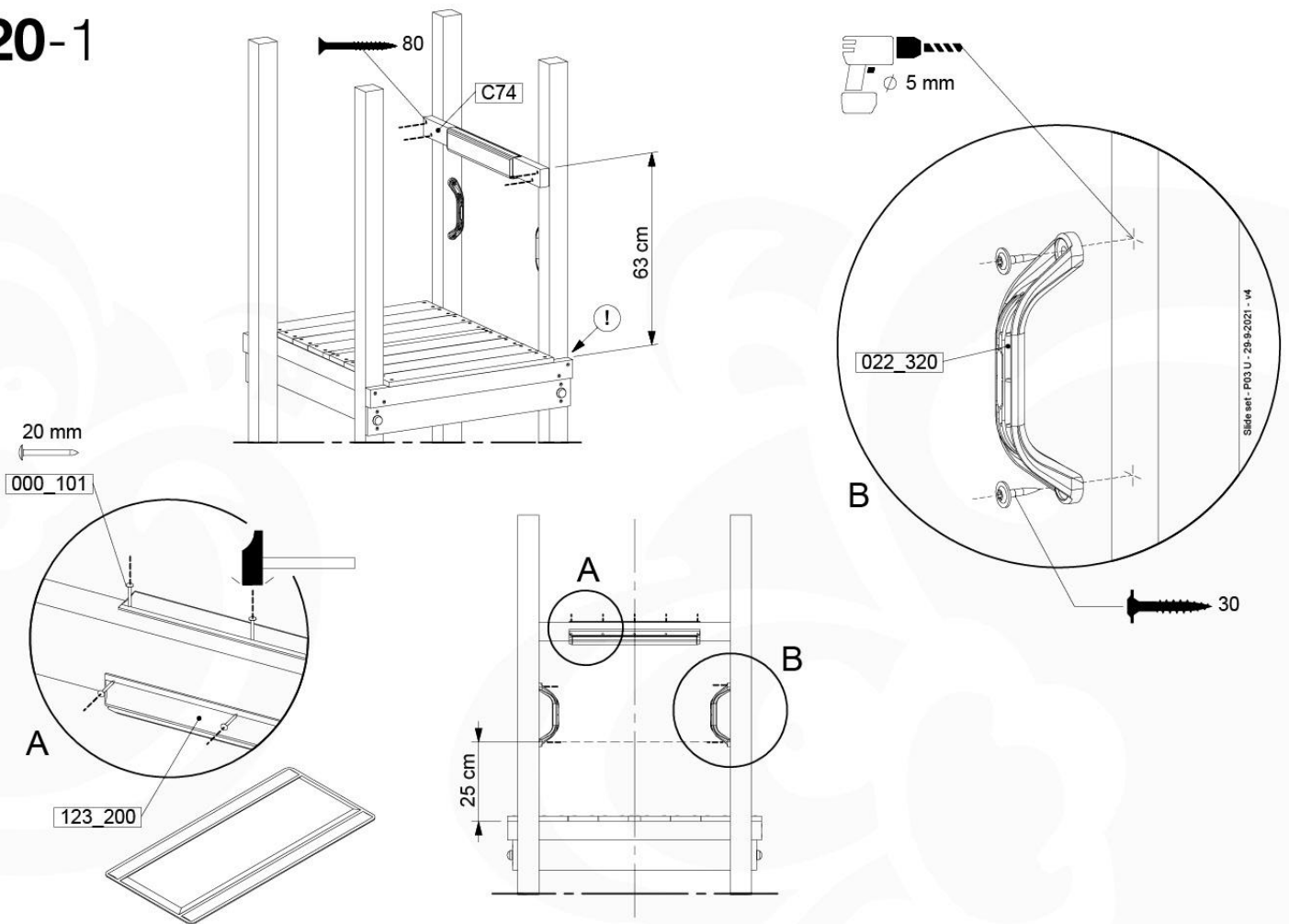
( 194\_107 )

|                          | PartNo             | PartName   | QTY. |
|--------------------------|--------------------|--|------|
| Hardware Pack<br>100_605 | 000_101            | Nail Pan Head  | 10   |
|                          | 002_223            | Gap Point Screw T25 - 5x80                                 | 4    |
|                          | 002_308            | Gap Point Screw T25 - 5x20                                 | 2    |
| Other                    | 120_102            | Handgrip set (2x Complete)                                 | 1    |
|                          | 123_200            | Bumperpad  | 1    |
|                          | 324_xxx<br>334_xxx | Wavy Star Slide XL 2200 mm /<br>Wavy Star Slide XL 2650 mm | 1    |
| Timber                   | C74                | Beam 740 mm  | 1    |

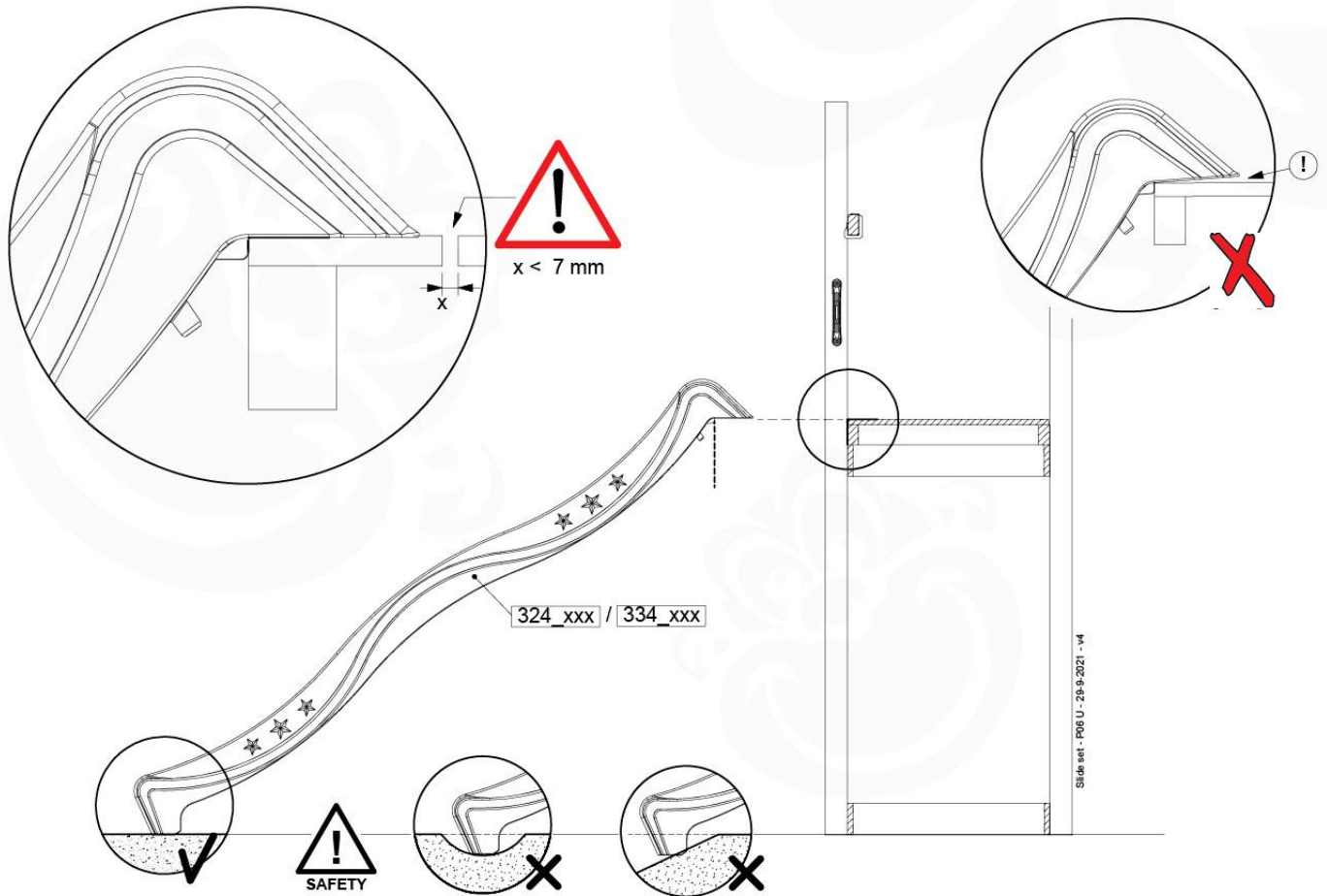
Slide set - P02 - 29-9-2021 - v4



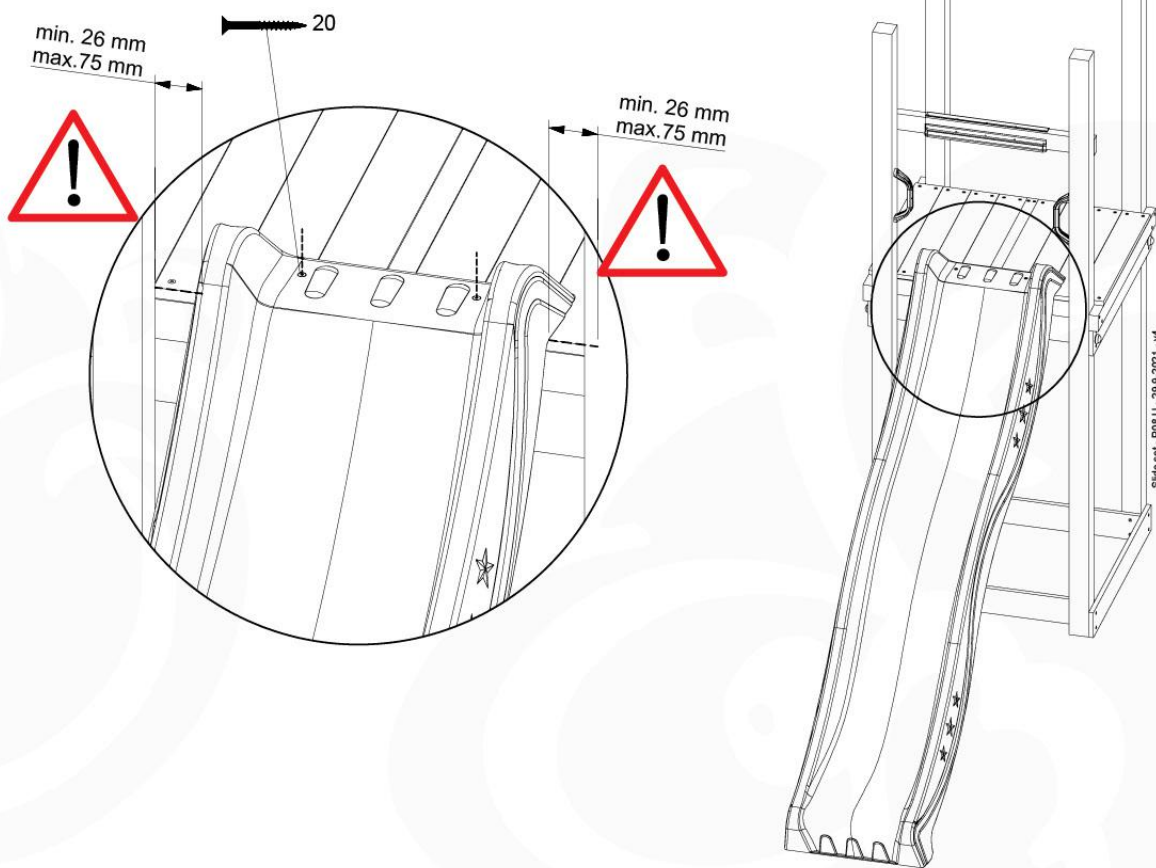
# 20-1



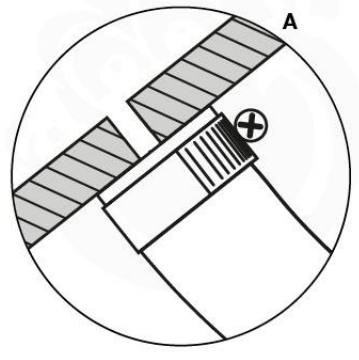
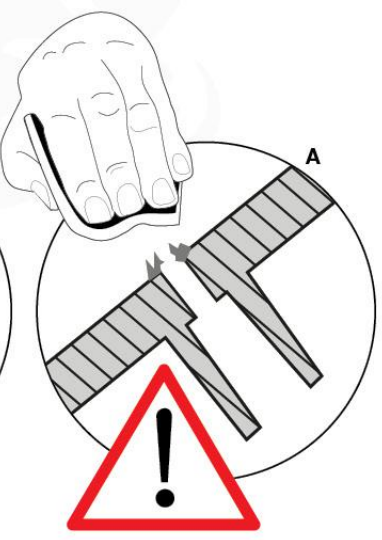
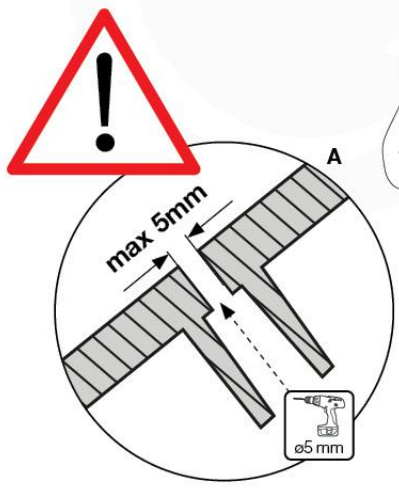
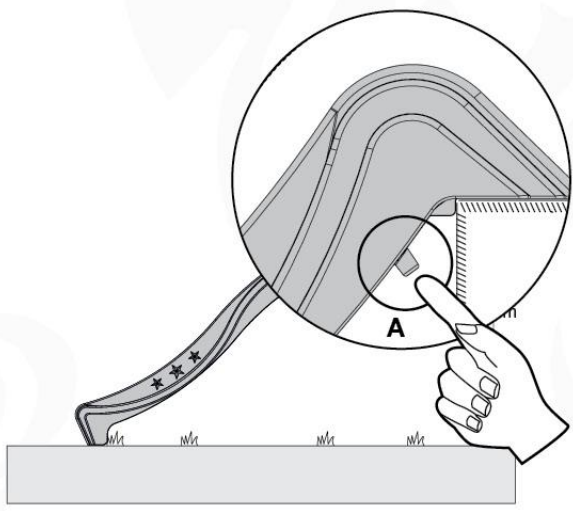
# 20-2



# 20-3



# 20-4





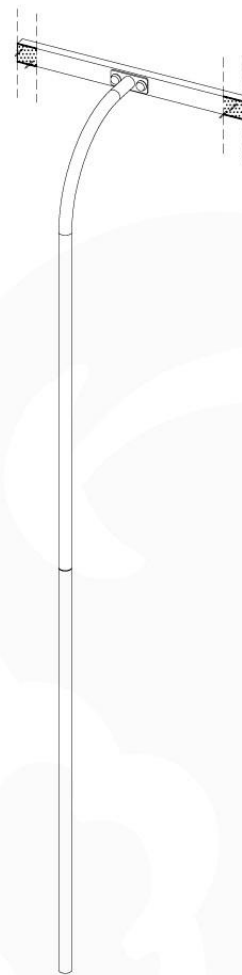
# 21 Firemans Pole

FP01

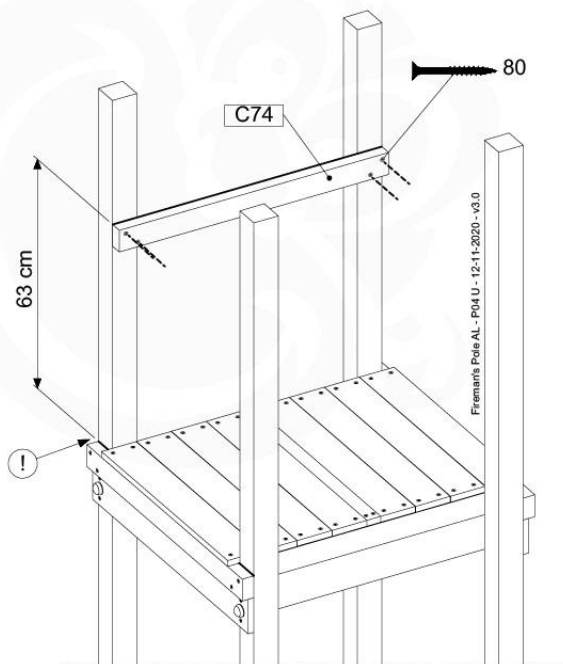
( 201\_275 )

|                          | PartNo  | PartName                   | QTY. |
|--------------------------|---------|----------------------------|------|
| Hardware Pack<br>100_346 | 001_103 | M8 Washer Head Screw 40mm  | 2    |
|                          | 002_223 | Gap Point Screw T25 - 5x80 | 4    |
|                          | 003_010 | M8 spring lock washer      | 2    |
|                          | 003_040 | M8 Washer                  | 2    |
|                          | 004_052 | M8 Drive-in Nut 30mm       | 2    |
|                          | 004_054 | M8 Drive-in Nut 45mm       | 2    |
|                          | 022_31x | bpc-base version 3         | 2    |
|                          | 022_84x | bpc cover                  | 2    |
| Other                    | 102_915 | Fireman's Pole             | 1    |
| Timber                   | C74     | Beam 740 mm                | 1    |

Fireman's Pole AL - P02 U - 12-11-2020 - v3.0



## 21-1



Fireman's Pole (201\_275)  
040\_335 Part 2



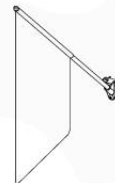
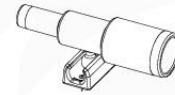
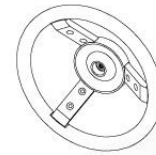
# 22 Accessories

AC01

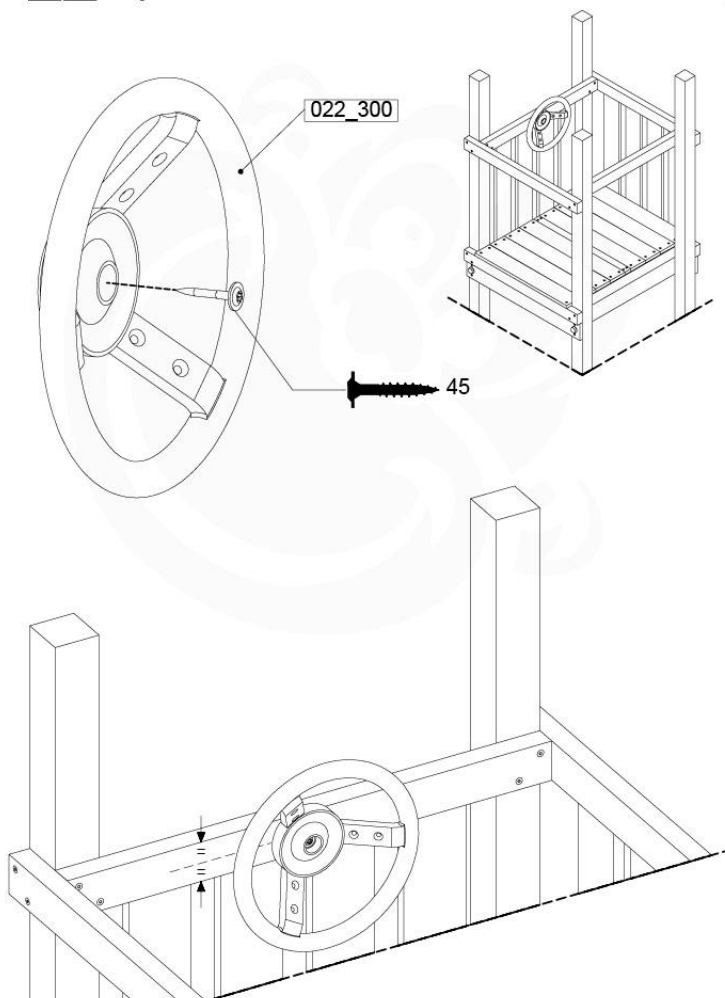
( 194\_119 )

|                          | PartNo  | PartName                    | QTY. |
|--------------------------|---------|-----------------------------|------|
| Hardware Pack<br>100_617 | 001_406 | Stealth Screw 8x45          | 1    |
|                          | 002_041 | Dome head screw 4.5 x 20 mm | 3    |
|                          | 002_042 | Dome head screw 3.5 x 13mm  | 4    |
|                          | 002_219 | Gap Point Screw T25 - 5x30  | 2    |
| Other                    | 022_300 | Steering Wheel              | 1    |
|                          | 022_800 | Rail P/T 105                | 1    |
|                          | 022_910 | Sandpad                     | 1    |
|                          | 103_901 | Logo ID Plate               | 1    |
|                          | 104_107 | Tool Set Climbing Units     | 1    |
|                          | 120_024 | Tower Flag                  | 1    |
|                          | 122_302 | Telescope                   | 1    |

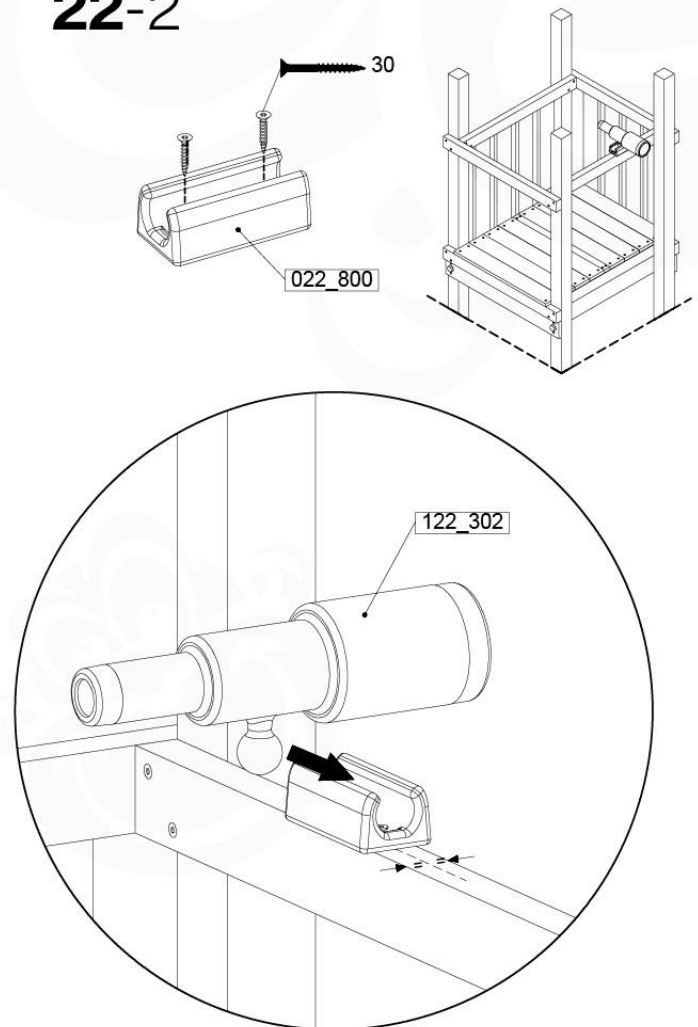
Accessory set - P02 - 29-9-2021 - v4



## 22-1

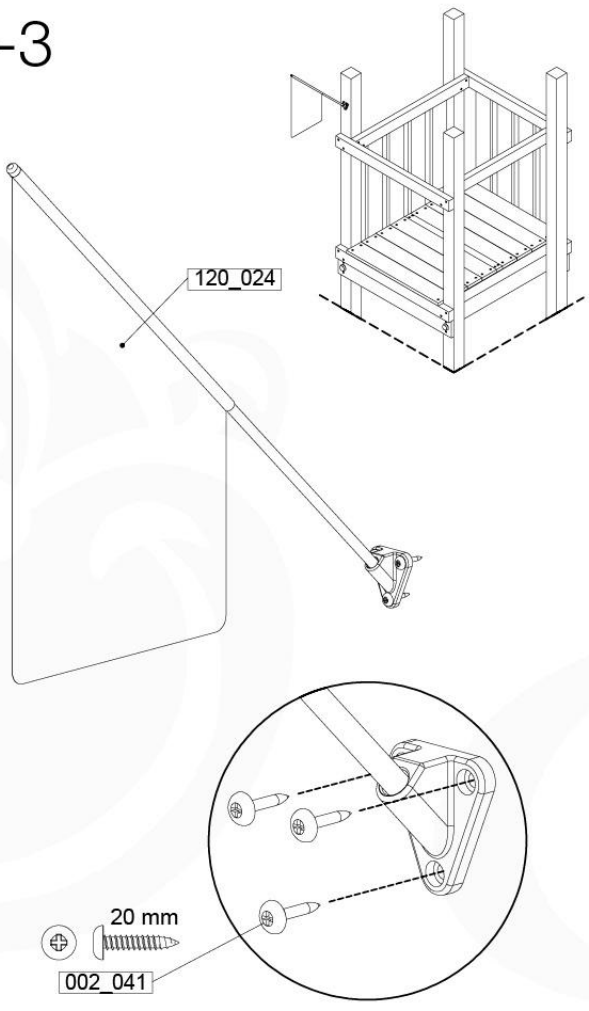


## 22-2

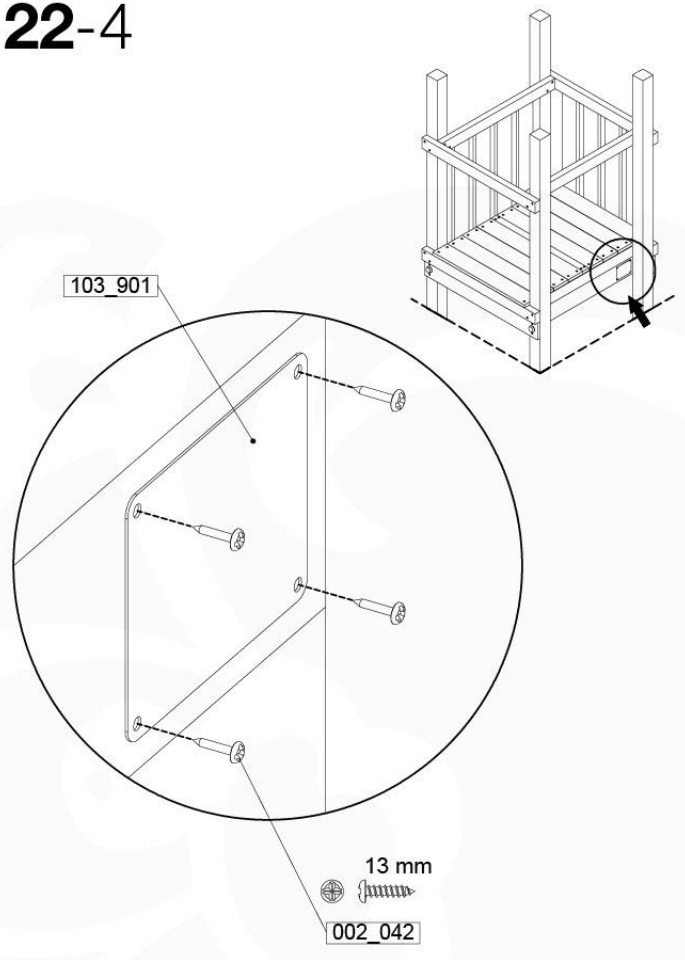


Accessory set - P03 - 29-9-2021 - v4

# 22-3



# 22-4



Accessories set - P04 - 26-9-2021 - v4

# 22-5

1x  
022\_910

